

The Siemens logo is displayed in a white rectangular box in the upper left corner of the page. The background of the entire page is a futuristic industrial scene with glowing blue and green digital overlays, including wireframe models of machinery, data flow diagrams, and a central control console with multiple monitors.

SIMATIC

Products for Totally Integrated Automation

Catalog
ST 70

Edition
2019

[siemens.com/tia](https://www.siemens.com/tia)

SIMATIC S7-1500 Advanced Controllers



4/2	Introduction	4/165	<u>SIPLUS communication</u>
4/2	S7-1500	4/165	SIPLUS CM PtP
4/6	Central processing units	4/167	SIPLUS NET CM 1542-5
4/6	Standard CPUs	4/168	SIPLUS NET CP 1543-1
4/25	SIPLUS standard CPUs	4/169	<u>Connection system</u>
4/31	Compact CPUs	4/169	Front connectors
4/37	Fail-safe CPUs	4/170	System cabling for SIMATIC S7-1500 and ET 200MP
4/56	SIPLUS fail-safe CPUs	4/171	- Fully modular connection
4/61	Redundant CPUs	4/175	- Front connector with single wires
4/67	Technology CPUs	4/176	<u>Fail-safe I/O modules</u>
4/85	I/O modules	4/176	F-digital input modules
4/85	<u>Digital modules</u>	4/178	F-digital output modules
4/85	SM 521 digital input modules	4/181	Power supplies
4/90	SM 522 digital output modules	4/181	1-phase, 24 V DC
4/98	SM 523 digital input/output modules		(for S7-1500 and ET200MP)
4/100	<u>SIPLUS digital modules</u>	4/184	System power supplies
4/100	SIPLUS SM 521 digital input modules	4/186	SIPLUS power supplies
4/102	SIPLUS SM 522 digital output modules	4/186	1-phase, 24 V DC
4/104	<u>Analog modules</u>		(for S7-1500 and ET200MP)
4/104	SM 531 analog input modules	4/187	SIPLUS system power supplies
4/113	SM 532 analog output modules	4/189	Operator control and monitoring
4/117	SM 534 analog input/output modules	4/189	SIMATIC HMI Basic Panels and Comfort Panels
4/121	<u>SIPLUS analog modules</u>	4/190	SIPLUS Basic Panels and Comfort Panels
4/121	SIPLUS SM 531 analog input modules	4/191	Accessories
4/123	SIPLUS SM 532 analog output modules	4/191	DIN rail
4/125	<u>Technology modules</u>	4/192	Labeling sheets
4/125	TM Count 2x24V counter module	4/193	Spare parts
4/128	TM PosInput 2 counter and position detection module		
4/131	Time-based IO module		
	TM Timer DIDQ 16x24V		
4/134	Interface module for PTO (Pulse Train Output) TM PTO 4		
4/137	SIWAREX WP521 / WP522 ST weighing modules		
4/140	<u>SIPLUS technology modules</u>		
4/140	SIPLUS TM Count 2x24V counter module		
4/141	SIPLUS TM PosInput 2 position detection module		
4/142	<u>Communication</u>		
4/142	CM PtP		
4/145	CM 1542-5		
4/147	CP 1542-5		
4/149	CM 1542-1		
4/152	CP 1543-1		
4/155	TIM 1531 IRC (for S7-1500)		
4/159	SCALANCE W774 RJ45 for the control cabinet		
4/162	SCALANCE W734 RJ45 for the control cabinet		

SIMATIC S7-1500 Advanced Controllers

Introduction

S7-1500

Overview



- Modular, scalable, and universally usable system in IP20 level of protection
- The system solution for a variety of automation applications in discrete automation
- Highest performance with excellent usability
- Can only be configured in Totally Integrated Automation Portal with STEP 7 Professional V12 or higher

Performance

- Increase in performance through
 - Faster command execution
 - Language extensions
 - New data types
 - Faster backplane bus
 - Optimized code generation
- Powerful communication:
 - PROFINET IO (2-port switch) as standard interface; from CPU 1515-2 PN, one or more additional integrated PROFINET interfaces, e.g. for network separation, for connecting further PROFINET devices or for high-speed communication as an I-Device
 - OPC UA server (data access) and client as runtime option for the easy connection of SIMATIC S7-1500 to third-party devices/systems
 - Expandable with communication modules for bus systems and point-to-point connection

Integrated technology

- Motion control integrated without additional modules:
 - Standardized blocks (PLCopen) for connection of analog and PROFIdrive-capable drives
 - The motion control functionality supports speed-controlled axes, positioning axes, relative synchronous operation (synchronizing without specification of the synchronized position), as well as external encoders, cams and probes.
 - Extended motion control functions such as absolute synchronous operation (synchronizing with specification of the synchronized position), camming and functions for controlling kinematics are also integrated in the technology CPUs.
- Comprehensive trace functions for all CPU tags for real-time diagnostics and sporadic error detection; for effective commissioning and quick optimization of drives and controls
- Comprehensive control functionalities:
 - e.g. easily configurable blocks for automatic optimization of the control parameters for optimum control quality
- Additional functions through available technology modules:
 - e.g. high-speed counting, position detection, or measurement functions for signals up to 1 MHz

Safety Integrated

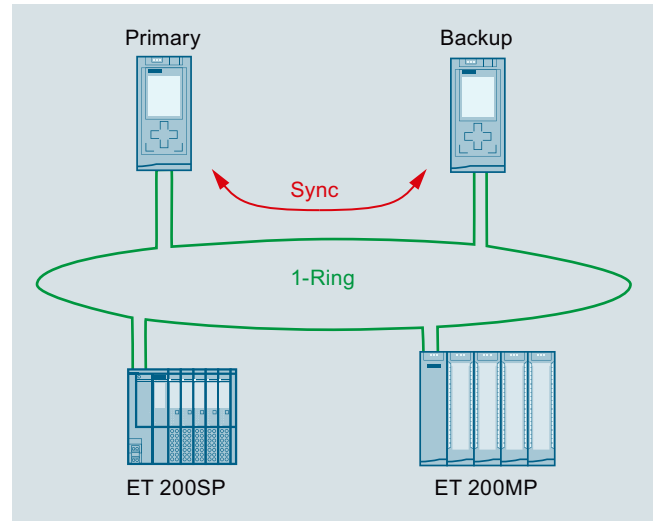
- Protection of personnel and machinery – within the framework of an integrated complete system
- Fail-safe SIMATIC S7-1500(T)F Controllers for processing standard and safety programs on the same controller. The fail-safe and standard user programs are created in the TIA Portal with the same editors; fail-safe data, for example, can therefore be evaluated like standard data in the standard user program. Due to this integration the system benefits and the comprehensive functionality of SIMATIC are also available for fail-safe applications.

Overview (continued)

Redundant systems



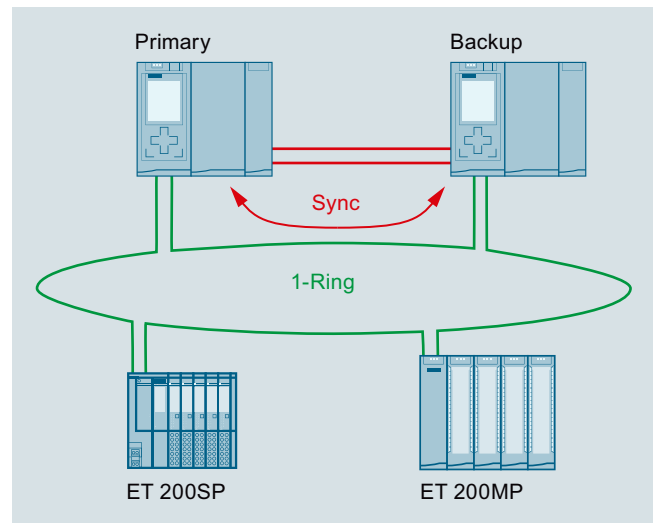
CPU 1513R-1 PN, CPU 1515R-2 PN



SIMATIC S7-1500H mode of operation



CPU 1517H-3 PN/FO



SIMATIC S7-1500H mode of operation

- Redundant S7-1500R/H CPUs for applications where availability of the controller is crucial.
- Both CPUs are connected with the I/O stations via a PROFINET-IO ring. Synchronization for the S7-1500R is via this ring, or via separate FOC synchronization cables for the S7-1500H. In the event of a CPU failure, the back-up CPU automatically assumes control of the process. No data is lost and the process can be continued extremely quickly. The PROFINET IO ring ensures that all nodes remain accessible in the event of a fieldbus interruption.
- The engineering corresponds to that of a standard CPU. The TIA Portal and redundant CPUs handle the synchronization of the programs and data. All without any additional overhead for the user.

SIMATIC S7-1500 Advanced Controllers

Introduction

S7-1500

Overview (continued)

Security Integrated

- Password-based know-how protection against unauthorized read-out and modification of program blocks
- Copy protection for greater protection against unauthorized copying of program blocks:
With copy protection, individual blocks on the SIMATIC memory card can be tied to its serial number so that the block can only be run if the configured memory card is inserted into the CPU.
- Rights concept with four different authorization levels: Different access rights can be assigned to various user groups. The new protection level 4 makes it possible to also restrict communication to HMI devices.
- Improved manipulation protection: Changed or unauthorized transfers of engineering data are detected by the controller.
- For use of an Ethernet CP (CP 1543-1):
 - Additional access protection by means of a firewall
 - Establishment of secure VPN connections

Design and handling

- CPUs with display for plain text information (display simulator tool on the Internet):
 - Information about article numbers, firmware version, and the serial number of all connected modules can be displayed
 - Setting the IP address of the CPU and additional network settings possible directly on site, without programming device on the display
 - Display of occurring error messages directly as plain text message, meaning reduction in downtime
- Uniform front connectors for all modules and integrated potential bridges for flexible potential group formation simplify stock keeping and reduce wiring effort
- Integrated DIN rail in the S7-1500 rail: quick and easy installation of additional components such as miniature circuit breakers, relays, etc.
- Central expansion with signal modules: for flexible adaptation to any application
- System cabling for digital signal modules: for fast and clearly arranged connecting to sensors and actuators in the field and simple wiring inside the control cabinet
- Power supply:
 - Load power supply modules (PMs) for supplying the module with 24 V
 - Power supply modules to supply power to the internal module electronics via the backplane bus
 - System power supply modules for retentively storing the entire work memory on the controller
- Distributed expansion:
 - Use of up to 30 signal modules, communication modules, and technology modules via the PROFINET interface module IM 155-5 for the ET 200MP I/O system
 - No difference in terms of handling and system functions in central and distributed operation

Integrated system diagnostics

- Integrated system diagnostics for CPUs, activated by default:
 - Consistent plain text display of system diagnostic information in the display, TIA Portal, HMI, and web server, even for drive messages. Messages are updated even if the CPU is in STOP state.
 - System diagnostics integrated in the CPU firmware. Configuration by user not required. The diagnostics is automatically updated on configuration changes.

Support of SIMATIC ProDiag S7-1500

- ProDiag is a concept for the easy creation of machine and plant diagnostics. It increases availability and supports with fault analysis and elimination on-site.

Datalog (archives) and recipes

- SIMATIC memory card:
 - Plug-in load memory
 - Permits firmware updates
 - Storage option for STEP 7 projects (including comments and symbols), additional documentation, or csv/ASCII files (for recipes and archives)
 - Easy access to plant-relevant operating data and configuration data with Office tools via the SD card reader (two-way data exchange from and to the controller)
- Integrated web server:
- Easy access to plant-relevant operating data and configuration data, motion control diagnostics and display of trace recordings via a web browser

Approvals

The SIMATIC S7-1500 complies with the following national and international standards:

- cULus approval
- cULus HazLoc approval
- FM approval
- ATEX approval (only for 24 V; not for 230 V)
- CE
- RCM (formerly C-Tick)
- KCC
- IECEx (24 V only; not for 230 V)
- EN 61000-6-4
- EN 60068-2-1/ -2/ -6/ -14/ -27/ -30/ -32
- EN 61131-2

You can find the marine approvals available for the S7-1500 on the Internet (SIMATIC Customer Support):
<http://www.siemens.com/automation/support>

Technical specifications

General technical specifications SIMATIC S7-1500	
Degree of protection	IP20 acc. to IEC 60 529
Ambient temperature	0...60 °C (display: at an operating temperature of typ. 50 °C, the display is switched off.)
• Horizontal installation	
• Vertical installation	0... 40 °C (display: at an operating temperature of typ. 40 °C, the display is switched off.)
Relative humidity	10 %...95 %, no condensation
Atmospheric pressure	From 1080 to 795 hPa (corresponds to an altitude of -1000 to +2000 m)
Insulation	707 V DC test voltage (type test)
• < 50 V	2200 V DC test voltage
• < 150 V	2500 V DC test voltage
• < 250 V	
Electromagnetic compatibility	Requirements of the EMC directive; interference immunity according to IEC 61000-6-2
• Pulse-shaped disturbance variables	Test according to: Electrostatic discharge according to IEC 61000-4-2, burst pulses according to IEC 61000-4-4, energy single pulse (surge) according to IEC 61000-4-5,
• Sinusoidal disturbance variables	Test according to: HF irradiation according to IEC 61000-4-3, HF decoupling according to IEC 61000-4-6
• Emission of radio frequency interference	Requirements of the EMC directive; interference emission according to EN 61000-6-4 Interference emission according to 61000-6-4 Interference emission of electromagnetic fields according to EN 61000-6-4
Mechanical stress	
• Vibrations	Testing according to EN 60068-2-6 Tested with: 5 Hz ≤ f ≤ 8.4 Hz, constant amplitude 7 mm; 9 Hz ≤ f ≤ 150 Hz, constant acceleration 2 g; duration of vibration: 10 frequency passes per axis in each direction of the 3 mutually perpendicular axes
• Shock	Testing according to EN 60068-2-27 Tested with: Half-wave: strength of shock 15 g peak value, 11 ms duration; shock direction: 3 shocks each in ± direction in each of the 3 mutually vertical axes

General technical data of SIPLUS S7-1500	
Ambient temperature range	-40/-25/-20 ... +55/60/70 °C
Conformal coating	Coating of the printed circuit boards and the electronic components
Technical specifications	The technical data of the standard product applies except for the ambient conditions.
Ambient conditions	
Extended range of environmental conditions	
• with reference to ambient temperature, air pressure and altitude	Tmin ... Tmax at 1080 hPa ... 795 hPa (-1000 m ... +2000 m) // Tmin ... (Tmax - 10K) at 795 hPa ... 658 hPa (+2000 m ... +3500 m) // Tmin ... (Tmax - 20K) at 658 hPa ... 540 hPa (+3500 m ... +5000 m)
• At cold restart, min.	0° C
Relative humidity	
• with condensation, max.	100 %; RH incl. bedewing/frost (no commissioning in bedewed state)
Resistance	
• to biologically active substances/ compliance with EN 60721-3-3	Yes; Class 3B2 mold and fungal spores (except fauna); the supplied plug covers must remain in place on the unused interfaces during operation.
• to chemically active substances/ compliance with EN 60721-3-3	Yes; Class 3C4 (RH < 75%) incl. salt spray in accordance with EN 60068-2-52 (severity 3); the supplied plug covers must remain in place on the unused interfaces during operation.
• to mechanically active substances, compliance with EN 60721-3-3	Yes; Class 3S4 incl. sand, dust; the supplied plug covers must remain in place on unused interfaces during operation.

SIMATIC S7-1500 Advanced Controllers

Central processing units

Standard CPUs

Overview CPU 1511-1 PN



- Entry-level CPU in the S7-1500 controller product range
- Suitable for applications with medium requirements for program scope and processing speed
- Used as central controller in production lines with central and distributed I/O
- PROFINET IO IRT interface with 2-port switch
- PROFINET IO controller for operating distributed I/O on PROFINET
- PROFINET I-Device for connecting the CPU as an intelligent PROFINET device under a SIMATIC or non-Siemens PROFINET IO controller
- OPC UA server and client as runtime option for the easy connection of SIMATIC S7-1500 to third-party devices/ systems with the functions:
 - OPC UA Data Access
 - OPC UA Security
 - OPC UA Methods Call, Support
 - OPC UA Companion Specifications
- Central and distributed isochronous mode
- Integrated motion control functionalities for controlling speed-controlled and positioning axes, support for external encoders, output cams/cam tracks and probes
- Integrated web server for diagnostics with the option of creating user-defined web pages

Note:

SIMATIC Memory Card required for operation of the CPU.

Overview CPU 1513-1 PN



- The CPU for applications with medium requirements for program/data storage in the S7-1500 controller product range
- Medium to high processing speed for binary and floating-point arithmetic
- Used as central controller in production lines with central and distributed I/O
- PROFINET IO IRT interface with 2-port switch
- PROFINET IO controller for operating distributed I/O on PROFINET
- PROFINET I-Device for connecting the CPU as an intelligent PROFINET device under a SIMATIC or non-Siemens PROFINET IO controller
- OPC UA server and client as runtime option for the easy connection of SIMATIC S7-1500 to third-party devices/ systems with the functions:
 - OPC UA Data Access
 - OPC UA Security
 - OPC UA Methods Call
 - Support of OPC UA Companion specifications.
- Central and distributed isochronous mode
- Integrated motion control functionalities for controlling speed-controlled and positioning axes, support for external encoders, output cams/cam tracks and probes
- Integrated web server for diagnostics with the option of creating user-defined web pages

Note:

SIMATIC Memory Card required for operation of the CPU.

Overview CPU 1515-2 PN



- The CPU for applications with medium to high requirements for program/data storage in the S7-1500 controller product range
- Medium to high processing speed for binary and floating-point arithmetic
- Used as central controller in production lines with central and distributed I/O
- PROFINET IO IRT interface with 2-port switch
- PROFINET IO controller for operating distributed I/O on PROFINET
- PROFINET I-Device for connecting the CPU as an intelligent PROFINET device under a SIMATIC or non-Siemens PROFINET IO controller
- Additional PROFINET interface with separate IP address for network separation, for connecting further PROFINET IO RT devices, or for high-speed communication as an I-Device
- OPC UA server and client as runtime option for the easy connection of SIMATIC S7-1500 to third-party devices/systems with the functions:
 - OPC UA Data Access
 - OPC UA Security
 - OPC UA Methods Call
 - Support of OPC UA Companion specifications.
- Central and distributed isochronous mode
- Integrated motion control functionalities for controlling speed-controlled and positioning axes, precise position gearing between axes, support for external encoders, output cams/cam tracks and probes
- Integrated web server for diagnostics with the option of creating user-defined web pages

Note:

SIMATIC Memory Card required for operation of the CPU.

Overview CPU 1516-3 PN/DP



- The CPU with a large program and data memory in the S7-1500 controller product range for applications with high requirements regarding program scope and networking.
- High processing speed for binary and floating-point arithmetic
- Used as central controller in production lines with central and distributed I/O
- PROFINET IO IRT interface with 2-port switch
- PROFINET IO controller for operating distributed I/O on PROFINET.
- PROFINET I-Device for connecting the CPU as an intelligent PROFINET device under a SIMATIC or non-Siemens PROFINET IO controller.
- Additional PROFINET interface with separate IP address for network separation, for connecting further PROFINET IO RT devices, or for high-speed communication as an I-Device
- PROFIBUS DP master interface
- UA server and client as runtime option for easy connection of the SIMATIC S7-1500 to third-party devices/systems with the functions:
 - OPC UA Data Access
 - OPC UA Security
 - OPC UA Methods Call
 - Support of OPC UA Companion specifications.
- Central and distributed isochronous mode on PROFIBUS and PROFINET
- Integrated motion control functionalities for controlling speed-controlled and positioning axes, support for external encoders, output cams/cam tracks and probes
- Integrated web server for diagnostics with the option of creating user-defined web pages

Note:

SIMATIC Memory Card required for operation of the CPU.

SIMATIC S7-1500 Advanced Controllers

Central processing units

Standard CPUs

Overview CPU 1517-3 PN/DP



- The CPU with a very large program and data memory in the S7-1500 controller product range for applications with high requirements regarding program scope and networking.
- High processing speed for binary and floating-point arithmetic
- For cross-industry automation tasks in series machines, special machines and plant construction
- Used as central controller in production lines with central and distributed I/O
- PROFINET IO IRT interface with 2-port switch
- PROFINET IO controller for operating distributed I/O on PROFINET.
- PROFINET I-Device for connecting the CPU as an intelligent PROFINET device under a SIMATIC or non-Siemens PROFINET IO controller.
- Additional PROFINET interface with separate IP address for network separation, for connecting further PROFINET IO RT devices, or for high-speed communication as an I-Device
- PROFIBUS DP master interface
- OPC UA server and client as runtime option for the easy connection of SIMATIC S7-1500 to third-party devices/ systems with the functions:
 - OPC UA Data Access
 - OPC UA Security
 - OPC UA Methods Call
 - Support of OPC UA Companion specifications.
- Central and distributed isochronous mode on PROFIBUS and PROFINET
- Integrated motion control functionalities for controlling speed-controlled and positioning axes, support for external encoders, precise position gearing between axes, output cams/cam tracks and probes
- Integrated web server for diagnostics with the option of creating user-defined web pages

Note:

SIMATIC memory card required for operation of the CPU.

Overview CPU 1518-4 PN/DP



- The CPU with a very large program and data memory in the S7-1500 controller product range for demanding applications with extremely high requirements regarding program scope, performance and networking
- Extremely high processing speed for binary and floating-point arithmetic
- For cross-industry automation tasks in series machines, special machines and plant construction
- Used as central controller in production lines with central and distributed I/O
- PROFINET IO IRT interface with 2-port switch
- PROFINET IO controller for operating distributed I/O on PROFINET.
- PROFINET I-Device for connecting the CPU as an intelligent PROFINET device under a SIMATIC or non-Siemens PROFINET IO controller.
- Two additional PROFINET interfaces with separate IP address; for network separation. The PROFINET interface X2 can be used for connecting additional PROFINET IO RT devices or for fast communication as an I-Device. The PROFINET interface X3 facilitates data transfer at a speed of 1 Gbps.
- PROFIBUS DP master interface
- OPC UA server and client as runtime option for the easy connection of SIMATIC S7-1500 to third-party devices/ systems with the functions:
 - OPC UA Data Access
 - OPC UA Security
 - OPC UA Methods Call
 - Support of OPC UA Companion specifications.
- Central and distributed isochronous mode on PROFIBUS and PROFINET
- Integrated motion control functionalities for controlling speed-controlled and positioning axes, support for external encoders, precise position gearing between axes, output cams/cam tracks and probes
- Integrated web server for diagnostics with the option of creating user-defined web pages

Note:

SIMATIC Memory Card required for operation of the CPU.

Overview CPU 1518-4 PN/DP MFP



- The CPU with a very large program and data memory in the S7-1500 controller product range for demanding applications with extremely high requirements regarding program scope, performance and networking
- Extremely high processing speed for binary and floating-point arithmetic
- For cross-industry automation tasks in series machines, special machines and plant construction
- C/C++ functions can be called and executed in the CPU runtime.
- In parallel to the CPU runtime, there is an additional C/C++ Runtime, in which call-independent, i.e. stand-alone, C/C++ applications can be executed.
- Used as central controller in production lines with central and distributed I/O
- PROFINET IO IRT interface with 2-port switch
- PROFINET IO controller for operating distributed I/O on PROFINET
- PROFINET I-Device for connecting the CPU as an intelligent PROFINET device under a SIMATIC or non-Siemens PROFINET IO controller
- Two additional PROFINET interfaces with separate IP addresses for network separation:
The PROFINET interface X2 can be used for connecting additional PROFINET IO RT devices or for fast communication as an I-Device. The PROFINET interface X3 facilitates data transfer at a speed of 1 Gbps.
- PROFIBUS DP master interface
- OPC UA server and client as runtime option for the easy connection of SIMATIC S7-1500 to third-party devices/ systems with the functions:
 - OPC UA Data Access
 - OPC UA Security
 - OPC UA Methods Call
 - Support of OPC UA Companion specifications.
- Central and distributed isochronous mode on PROFIBUS and PROFINET
- Integrated motion control functionalities for controlling speed-controlled and positioning axes, support for external encoders, gearing between axes, output cams/cam tracks and probes
- Integrated web server for diagnostics with the option of creating user-defined web pages

Multi-functional platform

With the multi-functional platform (MFP), more functionality can be accommodated in a module. The computing power of the CPU 1518-4 PN/DP MFP allows the merging of previously separate applications on a common platform while continuing to meet the high S7-1500 demands with regard to maintenance and ruggedness.

This means that, in addition to the control function, it is also possible to process typical PC applications on the multi-functional platform, e.g. tasks that:

- require high-level language programming,
- are developed based on models, or
- have to be solved via databases.

Thus, in addition to the option of running C/C++ code in the standard STEP 7 program, the CPU 1518-4 PN/DP MFP multi-functional platform provides an additional second independent runtime environment in order to execute C/C++ applications in parallel to the STEP 7 program if required.

Control-independent applications, e.g. protocol converters, database applications and others, can be created in C/C++.

This simplifies the creation or reuse of customer-specific, high-level language applications.

The CPU 1518-4 PN/DP MFP has the quantity structure and functionality of a CPU 1518-4 PN/DP with regard to the control unit. In addition to the user program created with STEP 7 in the TIA Portal, C/C++ functions formulated via the SIMATIC ODK 1500S can be integrated into the standard user program. By using SIMATIC ODK 1500S (ODK - Open Development Kit), higher-level programming language mechanisms, such as object orientation, can also be utilized. Furthermore, with the SIMATIC Target 1500S™ engineering package for Simulink®, it is also possible to integrate complex Simulink models to take advantage of the model-based development using MATLAB and Simulink®.

Note:

SIMATIC memory card required for operation of the CPU.

SIMATIC S7-1500 Advanced Controllers

Central processing units

Standard CPUs

Technical specifications

Article number	6ES7511-1AK02-0AB0 CPU 1511-1 PN, 150KB prog., 1MB data	6ES7513-1AL02-0AB0 CPU 1513-1 PN, 300KB prog., 1.5MB data	6ES7515-2AM01-0AB0 CPU 1515-2 PN, 500KB prog., 3MB data	6ES7516-3AN01-0AB0 CPU 1516-3 PN/DP, 1MB prog., 5MB data
General information				
Product type designation	CPU 1511-1 PN	CPU 1513-1 PN	CPU 1515-2 PN	CPU 1516-3 PN/DP
Engineering with				
• STEP 7 TIA Portal configurable/ integrated as of version	V15.1 (FW V2.6) / V15 (FW V2.5) or higher; with older TIA Portal versions configurable as 6ES7511-1AK01-0AB0	V15.1 (FW V2.6) / V15 (FW V2.5) or higher; with older TIA Portal versions configurable as 6ES7513-1AL01-0AB0	V15.1 (FW V2.6)/V13 SP1 Update 4 (FW V1.8) or higher	V15.1 (FW V2.6)/V13 SP1 Update 4 (FW V1.8) or higher
Display				
Screen diagonal [cm]	3.45 cm	3.45 cm	6.1 cm	6.1 cm
Supply voltage				
Type of supply voltage	24 V DC	24 V DC	24 V DC	24 V DC
Memory				
Work memory				
• integrated (for program)	150 kbyte	300 kbyte	500 kbyte	1 Mbyte
• integrated (for data)	1 Mbyte	1.5 Mbyte	3 Mbyte	5 Mbyte
Load memory				
• Plug-in (SIMATIC memory card), max.	32 Gbyte	32 Gbyte	32 Gbyte	32 Gbyte
CPU processing times				
for bit operations, typ.	60 ns	40 ns	30 ns	10 ns
for word operations, typ.	72 ns	48 ns	36 ns	12 ns
for fixed point arithmetic, typ.	96 ns	64 ns	48 ns	16 ns
for floating point arithmetic, typ.	384 ns	256 ns	192 ns	64 ns
Counters, timers and their retentivity				
S7 counter				
• Number	2 048	2 048	2 048	2 048
IEC counter				
• Number	Any (only limited by the main memory)	Any (only limited by the main memory)	Any (only limited by the main memory)	Any (only limited by the main memory)
S7 times				
• Number	2 048	2 048	2 048	2 048
IEC timer				
• Number	Any (only limited by the main memory)	Any (only limited by the main memory)	Any (only limited by the main memory)	Any (only limited by the main memory)
Data areas and their retentivity				
Flag				
• Number, max.	16 kbyte	16 kbyte	16 kbyte	16 kbyte
Address area				
I/O address area				
• Inputs	32 kbyte; All inputs are in the process image	32 kbyte; All inputs are in the process image	32 kbyte; All inputs are in the process image	32 kbyte; All inputs are in the process image
• Outputs	32 kbyte; All outputs are in the process image	32 kbyte; All outputs are in the process image	32 kbyte; All outputs are in the process image	32 kbyte; All outputs are in the process image
Time of day				
Clock				
• Type	Hardware clock	Hardware clock	Hardware clock	Hardware clock
1. Interface				
Interface types				
• Number of ports	2	2	2	2
• integrated switch	Yes	Yes	Yes	Yes
• RJ 45 (Ethernet)	Yes; X1	Yes; X1	Yes; X1	Yes; X1

SIMATIC S7-1500 Advanced Controllers

Central processing units

Standard CPUs

Technical specifications (continued)

Article number	6ES7511-1AK02-0AB0 CPU 1511-1 PN, 150KB prog., 1MB data	6ES7513-1AL02-0AB0 CPU 1513-1 PN, 300KB prog., 1.5MB data	6ES7515-2AM01-0AB0 CPU 1515-2 PN, 500KB prog., 3MB data	6ES7516-3AN01-0AB0 CPU 1516-3 PN/DP, 1MB prog., 5MB data
Protocols				
• IP protocol	Yes; IPv4	Yes; IPv4	Yes; IPv4	Yes; IPv4
• PROFINET IO Controller	Yes	Yes	Yes	Yes
• PROFINET IO Device	Yes	Yes	Yes	Yes
• SIMATIC communication	Yes	Yes	Yes	Yes
• Open IE communication	Yes	Yes	Yes	Yes
• Web server	Yes	Yes	Yes	Yes
• Media redundancy	Yes; MRP Automanager according to IEC 62439-2 Edition 2.0	Yes; MRP Automanager according to IEC 62439-2 Edition 2.0	Yes; MRP Automanager according to IEC 62439-2 Edition 2.0	Yes; MRP Automanager according to IEC 62439-2 Edition 2.0
PROFINET IO Controller				
Services				
- PG/OP communication	Yes	Yes	Yes	Yes
- S7 routing	Yes	Yes	Yes	Yes
- Isochronous mode	Yes	Yes	Yes	Yes
- Open IE communication	Yes	Yes	Yes	Yes
- IRT	Yes	Yes	Yes	Yes
- MRP	Yes; As MRP redundancy manager and/or MRP client; max. number of devices in the ring: 50	Yes; As MRP redundancy manager and/or MRP client; max. number of devices in the ring: 50	Yes; As MRP redundancy manager and/or MRP client; max. number of devices in the ring: 50	Yes; As MRP redundancy manager and/or MRP client; max. number of devices in the ring: 50
- MRPD	Yes; Requirement: IRT	Yes; Requirement: IRT	Yes; Requirement: IRT	Yes; Requirement: IRT
- PROFlenergy	Yes	Yes	Yes	Yes
- Prioritized startup	Yes; Max. 32 PROFINET devices	Yes; Max. 32 PROFINET devices	Yes; Max. 32 PROFINET devices	Yes; Max. 32 PROFINET devices
- Number of connectable IO Devices, max.	128; In total, up to 256 distributed I/O devices can be connected via AS-i, PROFIBUS or PROFINET	128; In total, up to 512 distributed I/O devices can be connected via AS-i, PROFIBUS or PROFINET	256; In total, up to 1 000 distributed I/O devices can be connected via AS-i, PROFIBUS or PROFINET	256; In total, up to 1 000 distributed I/O devices can be connected via AS-i, PROFIBUS or PROFINET
- Of which IO devices with IRT, max.	64	64	64	64
- Number of connectable IO Devices for RT, max.	128	128	256	256
- of which in line, max.	128	128	256	256
- Number of IO Devices that can be simultaneously activated/deactivated, max.	8; in total across all interfaces	8; in total across all interfaces	8; in total across all interfaces	8; in total across all interfaces
- Number of IO Devices per tool, max.	8	8	8	8
- Updating times	The minimum value of the update time also depends on communication share set for PROFINET IO, on the number of IO devices, and on the quantity of configured user data	The minimum value of the update time also depends on communication share set for PROFINET IO, on the number of IO devices, and on the quantity of configured user data	The minimum value of the update time also depends on communication share set for PROFINET IO, on the number of IO devices, and on the quantity of configured user data	The minimum value of the update time also depends on communication share set for PROFINET IO, on the number of IO devices, and on the quantity of configured user data

SIMATIC S7-1500 Advanced Controllers

Central processing units

Standard CPUs

Technical specifications (continued)

Article number	6ES7511-1AK02-0AB0 CPU 1511-1 PN, 150KB prog., 1MB data	6ES7513-1AL02-0AB0 CPU 1513-1 PN, 300KB prog., 1.5MB data	6ES7515-2AM01-0AB0 CPU 1515-2 PN, 500KB prog., 3MB data	6ES7516-3AN01-0AB0 CPU 1516-3 PN/DP, 1MB prog., 5MB data
Update time for IRT				
- for send cycle of 250 µs	250 µs to 4 ms; Note: In the case of IRT with isochronous mode, the minimum update time of 625 µs of the isochronous OB is decisive	250 µs to 4 ms; Note: In the case of IRT with isochronous mode, the minimum update time of 500 µs of the isochronous OB is decisive	250 µs to 4 ms; Note: In the case of IRT with isochronous mode, the minimum update time of 500 µs of the isochronous OB is decisive	250 µs to 4 ms; Note: In the case of IRT with isochronous mode, the minimum update time of 375 µs of the isochronous OB is decisive
- for send cycle of 500 µs	500 µs to 8 ms; Note: In the case of IRT with isochronous mode, the minimum update time of 625 µs of the isochronous OB is decisive	500 µs to 8 ms	500 µs to 8 ms	500 µs to 8 ms
- for send cycle of 1 ms	1 ms to 16 ms	1 ms to 16 ms	1 ms to 16 ms	1 ms to 16 ms
- for send cycle of 2 ms	2 ms to 32 ms	2 ms to 32 ms	2 ms to 32 ms	2 ms to 32 ms
- for send cycle of 4 ms	4 ms to 64 ms	4 ms to 64 ms	4 ms to 64 ms	4 ms to 64 ms
- With IRT and parameterization of "odd" send cycles	Update time = set "odd" send clock (any multiple of 125 µs: 375 µs, 625 µs ... 3 875 µs)	Update time = set "odd" send clock (any multiple of 125 µs: 375 µs, 625 µs ... 3 875 µs)	Update time = set "odd" send clock (any multiple of 125 µs: 375 µs, 625 µs ... 3 875 µs)	Update time = set "odd" send clock (any multiple of 125 µs: 375 µs, 625 µs ... 3 875 µs)
Update time for RT				
- for send cycle of 250 µs	250 µs to 128 ms	250 µs to 128 ms	250 µs to 128 ms	250 µs to 128 ms
- for send cycle of 500 µs	500 µs to 256 ms	500 µs to 256 ms	500 µs to 256 ms	500 µs to 256 ms
- for send cycle of 1 ms	1 ms to 512 ms	1 ms to 512 ms	1 ms to 512 ms	1 ms to 512 ms
- for send cycle of 2 ms	2 ms to 512 ms	2 ms to 512 ms	2 ms to 512 ms	2 ms to 512 ms
- for send cycle of 4 ms	4 ms to 512 ms	4 ms to 512 ms	4 ms to 512 ms	4 ms to 512 ms
PROFINET IO Device				
Services				
- PG/OP communication	Yes	Yes	Yes	Yes
- S7 routing	Yes	Yes	Yes	Yes
- Isochronous mode	No	No	No	No
- Open IE communication	Yes	Yes	Yes	Yes
- IRT	Yes	Yes	Yes	Yes
- MRP	Yes; As MRP redundancy manager and/or MRP client; max. number of devices in the ring: 50	Yes; As MRP redundancy manager and/or MRP client; max. number of devices in the ring: 50	Yes; As MRP redundancy manager and/or MRP client; max. number of devices in the ring: 50	Yes; As MRP redundancy manager and/or MRP client; max. number of devices in the ring: 50
- MRPD	Yes; Requirement: IRT	Yes; Requirement: IRT	Yes; Requirement: IRT	Yes; Requirement: IRT
- PROFINergy	Yes	Yes	Yes	Yes
- Shared device	Yes	Yes	Yes	Yes
- Number of IO Controllers with shared device, max.	4	4	4	4
- Asset management record	Yes; Per user program	Yes; Per user program	Yes; Per user program	Yes; Per user program
2. Interface				
Interface types				
• Number of ports			1	1
• integrated switch			No	No
• RJ 45 (Ethernet)			Yes; X2	Yes; X2
Protocols				
• IP protocol			Yes; IPv4	Yes; IPv4
• PROFINET IO Controller			Yes	Yes
• PROFINET IO Device			Yes	Yes
• SIMATIC communication			Yes	Yes
• Open IE communication			Yes	Yes
• Web server			Yes	Yes
• Media redundancy			No	No

SIMATIC S7-1500 Advanced Controllers

Central processing units

Standard CPUs

Technical specifications (continued)

Article number	6ES7511-1AK02-0AB0 CPU 1511-1 PN, 150KB prog., 1MB data	6ES7513-1AL02-0AB0 CPU 1513-1 PN, 300KB prog., 1.5MB data	6ES7515-2AM01-0AB0 CPU 1515-2 PN, 500KB prog., 3MB data	6ES7516-3AN01-0AB0 CPU 1516-3 PN/DP, 1MB prog., 5MB data
PROFINET IO Controller				
Services				
- PG/OP communication			Yes	Yes
- S7 routing			Yes	Yes
- Isochronous mode			No	No
- Open IE communication			Yes	Yes
- IRT			No	No
- MRP			No	No
- MRPD			No	No
- PROFlenergy			Yes	Yes
- Prioritized startup			No	No
- Number of connectable IO Devices, max.			32; In total, up to 1 000 distributed I/O devices can be connected via AS-I, PROFIBUS or PROFINET	32; In total, up to 1 000 distributed I/O devices can be connected via AS-I, PROFIBUS or PROFINET
- Number of connectable IO Devices for RT, max.			32	32
- of which in line, max.			32	32
- Number of IO Devices that can be simultaneously activated/deactivated, max.			8; in total across all interfaces	8; in total across all interfaces
- Number of IO Devices per tool, max.			8	8
- Updating times			The minimum value of the update time also depends on communication share set for PROFINET IO, on the number of IO devices, and on the quantity of configured user data	The minimum value of the update time also depends on communication share set for PROFINET IO, on the number of IO devices, and on the quantity of configured user data
Update time for RT				
- for send cycle of 1 ms			1 ms to 512 ms	1 ms to 512 ms
PROFINET IO Device				
Services				
- PG/OP communication			Yes	Yes
- S7 routing			Yes	Yes
- Isochronous mode			No	No
- Open IE communication			Yes	Yes
- IRT			No	No
- MRP			No	No
- MRPD			No	No
- PROFlenergy			Yes	Yes
- Prioritized startup			No	No
- Shared device			Yes	Yes
- Number of IO Controllers with shared device, max.			4	4
- Asset management record			Yes; Per user program	Yes; Per user program
3. Interface				
Interface types				
• Number of ports				1
• RS 485				Yes; X3
Protocols				
• PROFIBUS DP master				Yes
• PROFIBUS DP slave				No
• SIMATIC communication				Yes

SIMATIC S7-1500 Advanced Controllers

Central processing units

Standard CPUs

Technical specifications (continued)

Article number	6ES7511-1AK02-0AB0 CPU 1511-1 PN, 150KB prog., 1MB data	6ES7513-1AL02-0AB0 CPU 1513-1 PN, 300KB prog., 1.5MB data	6ES7515-2AM01-0AB0 CPU 1515-2 PN, 500KB prog., 3MB data	6ES7516-3AN01-0AB0 CPU 1516-3 PN/DP, 1MB prog., 5MB data
Protocols				
Number of connections				
• Number of connections, max.	96; via integrated interfaces of the CPU and connected CPs / CMs	128; via integrated interfaces of the CPU and connected CPs / CMs	192; via integrated interfaces of the CPU and connected CPs / CMs	256; via integrated interfaces of the CPU and connected CPs / CMs
PROFIBUS DP master				
Services				
- Number of DP slaves				125; In total, up to 1 000 distributed I/O devices can be connected via AS-i, PROFIBUS or PROFINET
OPC UA				
• OPC UA client	Yes	Yes	Yes	Yes
• OPC UA server	Yes; Data access (read, write, subscribe), method call, custom address space	Yes; Data access (read, write, subscribe), method call, custom address space	Yes; Data access (read, write, subscribe), method call, custom address space	Yes; Data access (read, write, subscribe), method call, custom address space
Isochronous mode				
Isochronous operation (application synchronized up to terminal)	Yes; Distributed and central; with minimum OB 6x cycle of 625 µs (distributed) and 1 ms (central)	Yes; Distributed and central; with minimum OB 6x cycle of 500 µs (distributed) and 1 ms (central)	Yes; Distributed and central; with minimum OB 6x cycle of 500 µs (distributed) and 1 ms (central)	Yes; Distributed and central; with minimum OB 6x cycle of 375 µs (distributed) and 1 ms (central)
Supported technology objects				
Motion control	Yes; Note: The number of axes affects the cycle time of the PLC program; selection guide via the TIA Selection Tool or SIZER	Yes; Note: The number of axes affects the cycle time of the PLC program; selection guide via the TIA Selection Tool or SIZER	Yes; Note: The number of axes affects the cycle time of the PLC program; selection guide via the TIA Selection Tool or SIZER	Yes; Note: The number of axes affects the cycle time of the PLC program; selection guide via the TIA Selection Tool or SIZER
• Number of available motion control resources for technology objects (except cam disks)	800	800	2 400	2 400
• Required motion control resources				
- per speed-controlled axis	40	40	40	40
- per positioning axis	80	80	80	80
- per synchronous axis	160	160	160	160
- per external encoder	80	80	80	80
- per output cam	20	20	20	20
- per cam track	160	160	160	160
- per probe	40	40	40	40
Controller				
• PID_Compact	Yes; Universal PID controller with integrated optimization	Yes; Universal PID controller with integrated optimization	Yes; Universal PID controller with integrated optimization	Yes; Universal PID controller with integrated optimization
• PID_3Step	Yes; PID controller with integrated optimization for valves	Yes; PID controller with integrated optimization for valves	Yes; PID controller with integrated optimization for valves	Yes; PID controller with integrated optimization for valves
• PID-Temp	Yes; PID controller with integrated optimization for temperature	Yes; PID controller with integrated optimization for temperature	Yes; PID controller with integrated optimization for temperature	Yes; PID controller with integrated optimization for temperature
Counting and measuring				
• High-speed counter	Yes	Yes	Yes	Yes
Ambient conditions				
Ambient temperature during operation				
• horizontal installation, min.	0 °C	0 °C	0 °C	0 °C
• horizontal installation, max.	60 °C; Display: 50 °C, at an operating temperature of typically 50 °C, the display is switched off	60 °C; Display: 50 °C, at an operating temperature of typically 50 °C, the display is switched off	60 °C; Display: 50 °C, at an operating temperature of typically 50 °C, the display is switched off	60 °C; Display: 50 °C, at an operating temperature of typically 50 °C, the display is switched off
• vertical installation, min.	0 °C	0 °C	0 °C	0 °C
• vertical installation, max.	40 °C; Display: 40 °C, at an operating temperature of typically 40 °C, the display is switched off	40 °C; Display: 40 °C, at an operating temperature of typically 40 °C, the display is switched off	40 °C; Display: 40 °C, at an operating temperature of typically 40 °C, the display is switched off	40 °C; Display: 40 °C, at an operating temperature of typically 40 °C, the display is switched off

SIMATIC S7-1500 Advanced Controllers

Central processing units

Standard CPUs

Technical specifications (continued)

Article number	6ES7511-1AK02-0AB0 CPU 1511-1 PN, 150KB prog., 1MB data	6ES7513-1AL02-0AB0 CPU 1513-1 PN, 300KB prog., 1.5MB data	6ES7515-2AM01-0AB0 CPU 1515-2 PN, 500KB prog., 3MB data	6ES7516-3AN01-0AB0 CPU 1516-3 PN/DP, 1MB prog., 5MB data
Altitude during operation relating to sea level				
<ul style="list-style-type: none"> Installation altitude above sea level, max. 	5 000 m; Restrictions for installation altitudes > 2 000 m, see manual	5 000 m; Restrictions for installation altitudes > 2 000 m, see manual	5 000 m; Restrictions for installation altitudes > 2 000 m, see manual	5 000 m; Restrictions for installation altitudes > 2 000 m, see manual
Configuration				
Programming				
Programming language				
- LAD	Yes	Yes	Yes	Yes
- FBD	Yes	Yes	Yes	Yes
- STL	Yes	Yes	Yes	Yes
- SCL	Yes	Yes	Yes	Yes
- GRAPH	Yes	Yes	Yes	Yes
Know-how protection				
<ul style="list-style-type: none"> User program protection/ password protection 	Yes	Yes	Yes	Yes
<ul style="list-style-type: none"> Copy protection 	Yes	Yes	Yes	Yes
<ul style="list-style-type: none"> Block protection 	Yes	Yes	Yes	Yes
Access protection				
<ul style="list-style-type: none"> Password for display 	Yes	Yes	Yes	Yes
<ul style="list-style-type: none"> Protection level: Write protection 	Yes	Yes	Yes	Yes
<ul style="list-style-type: none"> Protection level: Read/write protection 	Yes	Yes	Yes	Yes
<ul style="list-style-type: none"> Protection level: Complete protection 	Yes	Yes	Yes	Yes
Dimensions				
Width	35 mm	35 mm	70 mm	70 mm
Height	147 mm	147 mm	147 mm	147 mm
Depth	129 mm	129 mm	129 mm	129 mm
Weights				
Weight, approx.	405 g	405 g	830 g	845 g
Article number	6ES7517-3AP00-0AB0 CPU 1517-3 PN/DP, 2MB Prog./8MB data	6ES7518-4AP00-0AB0 CPU 1518-4 PN/DP, 4MB Prog., 20MB data	6ES7518-4AX00-1AC0 CPU 1518-4 PN/DP MFP + C/C++ RT + OPC UA	
General information				
Product type designation	CPU 1517-3 PN/DP	CPU 1518-4 PN/DP	CPU 1518-4 PN/DP MFP	
Engineering with				
<ul style="list-style-type: none"> STEP 7 TIA Portal configurable/ integrated as of version 	V15.1 (FW V2.6) / V13 Update 3 (FW V1.6) or higher	V15.1 (FW V2.6) / V13 (FW V1.5) or higher	V15.1 (FW V2.6) / V15 (FW V2.5) or higher	
Display				
Screen diagonal [cm]	6.1 cm	6.1 cm	6.1 cm	
Supply voltage				
Type of supply voltage	24 V DC	24 V DC	24 V DC	
Memory				
Work memory				
<ul style="list-style-type: none"> integrated (for program) 	2 Mbyte	4 Mbyte	4 Mbyte	
<ul style="list-style-type: none"> integrated (for data) 	8 Mbyte	20 Mbyte	20 Mbyte	
<ul style="list-style-type: none"> integrated (for CPU function library of CPU runtime) 			50 Mbyte; Note: The "CPU function library of the CPU" are C/C++ blocks for the user program that were created using the SIMATIC ODK 1500S or Target 1500S.	

SIMATIC S7-1500 Advanced Controllers

Central processing units

Standard CPUs

Technical specifications (continued)

Article number	6ES7517-3AP00-0AB0 CPU 1517-3 PN/DP, 2MB Prog./8MB data	6ES7518-4AP00-0AB0 CPU 1518-4 PN/DP, 4MB Prog., 20MB data	6ES7518-4AX00-1AC0 CPU 1518-4 PN/DP MFP + C/C++ RT + OPC UA
Working memory for additional functions			512 Mbyte
<ul style="list-style-type: none"> Integrated (for C/C++ Runtime application) 			
Load memory			
<ul style="list-style-type: none"> Plug-in (SIMATIC memory card), max. 	32 Gbyte	32 Gbyte	32 Gbyte; The memory card must have at least 2 GB of space on it
CPU processing times			
for bit operations, typ.	2 ns	1 ns	1 ns
for word operations, typ.	3 ns	2 ns	2 ns
for fixed point arithmetic, typ.	3 ns	2 ns	2 ns
for floating point arithmetic, typ.	12 ns	6 ns	6 ns
Counters, timers and their retentivity			
S7 counter			
<ul style="list-style-type: none"> Number 	2 048	2 048	2 048
IEC counter			
<ul style="list-style-type: none"> Number 	Any (only limited by the main memory)	Any (only limited by the main memory)	Any (only limited by the main memory)
S7 times			
<ul style="list-style-type: none"> Number 	2 048	2 048	2 048
IEC timer			
<ul style="list-style-type: none"> Number 	Any (only limited by the main memory)	Any (only limited by the main memory)	Any (only limited by the main memory)
Data areas and their retentivity			
Flag			
<ul style="list-style-type: none"> Number, max. 	16 kbyte	16 kbyte	16 kbyte
Address area			
I/O address area			
<ul style="list-style-type: none"> Inputs 	32 kbyte; All inputs are in the process image	32 kbyte; All inputs are in the process image	32 kbyte; All inputs are in the process image
<ul style="list-style-type: none"> Outputs 	32 kbyte; All outputs are in the process image	32 kbyte; All outputs are in the process image	32 kbyte; All outputs are in the process image
Time of day			
Clock			
<ul style="list-style-type: none"> Type 	Hardware clock	Hardware clock	Hardware clock
1. Interface			
Interface types			
<ul style="list-style-type: none"> Number of ports integrated switch RJ 45 (Ethernet) 	2 Yes Yes; X1	2 Yes Yes; X1	2 Yes Yes; X1
Protocols			
<ul style="list-style-type: none"> IP protocol PROFINET IO Controller PROFINET IO Device SIMATIC communication Open IE communication Web server Media redundancy 	Yes; IPv4 Yes Yes Yes Yes Yes Yes; MRP Automanager according to IEC 62439-2 Edition 2.0	Yes; IPv4 Yes Yes Yes Yes Yes Yes; MRP Automanager according to IEC 62439-2 Edition 2.0	Yes; IPv4 Yes Yes Yes Yes Yes Yes; MRP Automanager according to IEC 62439-2 Edition 2.0

Technical specifications (continued)

Article number	6ES7517-3AP00-0AB0 CPU 1517-3 PN/DP, 2MB Prog./8MB data	6ES7518-4AP00-0AB0 CPU 1518-4 PN/DP, 4MB Prog., 20MB data	6ES7518-4AX00-1AC0 CPU 1518-4 PN/DP MFP + C/C++ RT + OPC UA
PROFINET IO Controller			
Services			
- PG/OP communication	Yes	Yes	Yes
- S7 routing	Yes	Yes	Yes
- Isochronous mode	Yes	Yes	Yes
- Open IE communication	Yes	Yes	Yes
- IRT	Yes	Yes	Yes
- MRP	Yes; As MRP redundancy manager and/or MRP client; max. number of devices in the ring: 50	Yes; As MRP redundancy manager and/or MRP client; max. number of devices in the ring: 50	Yes; As MRP redundancy manager and/or MRP client; max. number of devices in the ring: 50
- MRPD	Yes; Requirement: IRT	Yes; Requirement: IRT	Yes; Requirement: IRT
- PROFInergy	Yes	Yes	Yes
- Prioritized startup	Yes; Max. 32 PROFINET devices	Yes; Max. 32 PROFINET devices	Yes; Max. 32 PROFINET devices
- Number of connectable IO Devices, max.	512; In total, up to 1 000 distributed I/O devices can be connected via AS-i, PROFIBUS or PROFINET	512; In total, up to 1 000 distributed I/O devices can be connected via AS-i, PROFIBUS or PROFINET	512; In total, up to 1 000 distributed I/O devices can be connected via AS-i, PROFIBUS or PROFINET
- Of which IO devices with IRT, max.	64	64	64
- Number of connectable IO Devices for RT, max.	512	512	512
- of which in line, max.	512	512	512
- Number of IO Devices that can be simultaneously activated/deactivated, max.	8; in total across all interfaces	8; in total across all interfaces	8; in total across all interfaces
- Number of IO Devices per tool, max.	8	8	8
- Updating times	The minimum value of the update time also depends on communication share set for PROFINET IO, on the number of IO devices, and on the quantity of configured user data	The minimum value of the update time also depends on communication share set for PROFINET IO, on the number of IO devices, and on the quantity of configured user data	The minimum value of the update time also depends on communication share set for PROFINET IO, on the number of IO devices, and on the quantity of configured user data
Update time for IRT			
- for send cycle of 125 µs		125 µs	125 µs
- for send cycle of 187.5 µs		187.5 µs	187.5 µs
- for send cycle of 250 µs	250 µs to 4 ms	250 µs to 4 ms	250 µs to 4 ms
- for send cycle of 500 µs	500 µs to 8 ms	500 µs to 8 ms	500 µs to 8 ms
- for send cycle of 1 ms	1 ms to 16 ms	1 ms to 16 ms	1 ms to 16 ms
- for send cycle of 2 ms	2 ms to 32 ms	2 ms to 32 ms	2 ms to 32 ms
- for send cycle of 4 ms	4 ms to 64 ms	4 ms to 64 ms	4 ms to 64 ms
- With IRT and parameterization of "odd" send cycles	Update time = set "odd" send clock (any multiple of 125 µs: 375 µs, 625 µs ... 3 875 µs)	Update time = set "odd" send clock (any multiple of 125 µs: 375 µs, 625 µs ... 3 875 µs)	Update time = set "odd" send clock (any multiple of 125 µs: 375 µs, 625 µs ... 3 875 µs)
Update time for RT			
- for send cycle of 250 µs	250 µs to 128 ms	250 µs to 128 ms	250 µs to 128 ms
- for send cycle of 500 µs	500 µs to 256 ms	500 µs to 256 ms	500 µs to 256 ms
- for send cycle of 1 ms	1 ms to 512 ms	1 ms to 512 ms	1 ms to 512 ms
- for send cycle of 2 ms	2 ms to 512 ms	2 ms to 512 ms	2 ms to 512 ms
- for send cycle of 4 ms	4 ms to 512 ms	4 ms to 512 ms	4 ms to 512 ms

SIMATIC S7-1500 Advanced Controllers

Central processing units

Standard CPUs

Technical specifications (continued)

Article number	6ES7517-3AP00-0AB0 CPU 1517-3 PN/DP, 2MB Prog./8MB data	6ES7518-4AP00-0AB0 CPU 1518-4 PN/DP, 4MB Prog., 20MB data	6ES7518-4AX00-1AC0 CPU 1518-4 PN/DP MFP + C/C++ RT + OPC UA
PROFINET IO Device			
Services			
- PG/OP communication	Yes	Yes	Yes
- S7 routing	Yes	Yes	Yes
- Isochronous mode	No	No	No
- Open IE communication	Yes	Yes	Yes
- IRT	Yes	Yes	Yes
- MRP	Yes; As MRP redundancy manager and/or MRP client; max. number of devices in the ring: 50	Yes; As MRP redundancy manager and/or MRP client; max. number of devices in the ring: 50	Yes; As MRP redundancy manager and/or MRP client; max. number of devices in the ring: 50
- MRPD	Yes; Requirement: IRT	Yes; Requirement: IRT	Yes; Requirement: IRT
- PROFinergy	Yes	Yes	Yes
- Shared device	Yes	Yes	Yes
- Number of IO Controllers with shared device, max.	4	4	4
- Asset management record	Yes; Per user program	Yes; Per user program	Yes; Per user program
2. Interface			
Interface types			
• Number of ports	1	1	1
• integrated switch	No	No	No
• RJ 45 (Ethernet)	Yes; X2	Yes; X2	Yes; X2
Protocols			
• IP protocol	Yes; IPv4	Yes; IPv4	Yes; IPv4
• PROFINET IO Controller	Yes	Yes	Yes
• PROFINET IO Device	Yes	Yes	Yes
• SIMATIC communication	Yes	Yes	Yes
• Open IE communication	Yes	Yes	Yes
• Web server	Yes	Yes	Yes
• Media redundancy	No	No	No
PROFINET IO Controller			
Services			
- PG/OP communication	Yes	Yes	Yes
- S7 routing	Yes	Yes	Yes
- Isochronous mode	No	No	No
- Open IE communication	Yes	Yes	Yes
- IRT	No	No	No
- MRP	No	No	No
- MRPD	No	No	No
- PROFinergy	Yes	Yes	Yes
- Prioritized startup	No	No	No
- Number of connectable IO Devices, max.	128; In total, up to 1 000 distributed I/O devices can be connected via AS-i, PROFIBUS or PROFINET	128; In total, up to 1 000 distributed I/O devices can be connected via AS-i, PROFIBUS or PROFINET	128; In total, up to 1 000 distributed I/O devices can be connected via AS-i, PROFIBUS or PROFINET
- Number of connectable IO Devices for RT, max.	128	128	128
- of which in line, max.	128	128	128
- Number of IO Devices that can be simultaneously activated/deactivated, max.	8; in total across all interfaces	8; in total across all interfaces	8; in total across all interfaces
- Number of IO Devices per tool, max.	8	8	8
- Updating times	The minimum value of the update time also depends on communication share set for PROFINET IO, on the number of IO devices, and on the quantity of configured user data	The minimum value of the update time also depends on communication share set for PROFINET IO, on the number of IO devices, and on the quantity of configured user data	The minimum value of the update time also depends on communication share set for PROFINET IO, on the number of IO devices, and on the quantity of configured user data

Technical specifications (continued)

Article number	6ES7517-3AP00-0AB0 CPU 1517-3 PN/DP, 2MB Prog./8MB data	6ES7518-4AP00-0AB0 CPU 1518-4 PN/DP, 4MB Prog., 20MB data	6ES7518-4AX00-1AC0 CPU 1518-4 PN/DP MFP + C/C++ RT + OPC UA
Update time for RT			
- for send cycle of 1 ms	1 ms to 512 ms	1 ms to 512 ms	1 ms to 512 ms
PROFINET IO Device			
Services			
- PG/OP communication	Yes	Yes	Yes
- S7 routing	Yes	Yes	Yes
- Isochronous mode	No	No	No
- Open IE communication	Yes	Yes	Yes
- IRT	No	No	No
- MRP	No	No	No
- MRPD	No	No	No
- PROFinergy	Yes	Yes	Yes
- Prioritized startup	No	No	No
- Shared device	Yes	Yes	Yes
- Number of IO Controllers with shared device, max.	4	4	4
- Asset management record	Yes; Per user program	Yes; Per user program	Yes; Per user program
3. Interface			
Interface types			
• Number of ports	1	1	1; C/C++ Runtime can also be reached via this port
• integrated switch		No	No
• RJ 45 (Ethernet)		Yes; X3	Yes; X3
• RS 485	Yes; X3		
Protocols			
• IP protocol		Yes; IPv4	Yes; IPv4
• PROFINET IO Controller		No	No
• PROFINET IO Device		No	No
• PROFIBUS DP master	Yes		
• PROFIBUS DP slave	No		
• SIMATIC communication	Yes	Yes	Yes
• Open IE communication		Yes	Yes
• Web server		Yes	Yes
4. Interface			
Interface types			
• Number of ports		1	1
• RS 485		Yes; X4	Yes; X4
Protocols			
• PROFIBUS DP master		Yes	Yes
• PROFIBUS DP slave		No	No
• SIMATIC communication		Yes	Yes
Protocols			
Number of connections			
• Number of connections, max.	320; via integrated interfaces of the CPU and connected CPs / CMs	384; via integrated interfaces of the CPU and connected CPs / CMs	384; via integrated interfaces of the CPU and connected CPs / CMs
PROFIBUS DP master			
Services			
- Number of DP slaves	125; In total, up to 1 000 distributed I/O devices can be connected via AS-i, PROFIBUS or PROFINET	125; In total, up to 1 000 distributed I/O devices can be connected via AS-i, PROFIBUS or PROFINET	125; In total, up to 1 000 distributed I/O devices can be connected via AS-i, PROFIBUS or PROFINET

SIMATIC S7-1500 Advanced Controllers

Central processing units

Standard CPUs

Technical specifications (continued)

Article number	6ES7517-3AP00-0AB0 CPU 1517-3 PN/DP, 2MB Prog./8MB data	6ES7518-4AP00-0AB0 CPU 1518-4 PN/DP, 4MB Prog., 20MB data	6ES7518-4AX00-1AC0 CPU 1518-4 PN/DP MFP + C/C++ RT + OPC UA
OPC UA			
• OPC UA client	Yes	Yes	Yes
• OPC UA server	Yes; Data access (read, write, subscribe), method call, custom address space	Yes; Data access (read, write, subscribe), method call, custom address space	Yes; Data access (read, write, subscribe), method call, custom address space
Isochronous mode			
Isochronous operation (application synchronized up to terminal)	Yes; Distributed and central; with minimum OB 6x cycle of 250 µs (distributed) and 1 ms (central)	Yes; Distributed and central; with minimum OB 6x cycle of 125 µs (distributed) and 1 ms (central)	Yes; Distributed and central; with minimum OB 6x cycle of 125 µs (distributed) and 1 ms (central)
Supported technology objects			
Motion control	Yes; Note: The number of axes affects the cycle time of the PLC program; selection guide via the TIA Selection Tool or SIZER	Yes; Note: The number of axes affects the cycle time of the PLC program; selection guide via the TIA Selection Tool or SIZER	Yes; Note: The number of axes affects the cycle time of the PLC program; selection guide via the TIA Selection Tool or SIZER
• Number of available motion control resources for technology objects (except cam disks)	10 240	10 240	10 240
• Required motion control resources			
- per speed-controlled axis	40	40	40
- per positioning axis	80	80	80
- per synchronous axis	160	160	160
- per external encoder	80	80	80
- per output cam	20	20	20
- per cam track	160	160	160
- per probe	40	40	40
Controller			
• PID_Compact	Yes; Universal PID controller with integrated optimization	Yes; Universal PID controller with integrated optimization	Yes; Universal PID controller with integrated optimization
• PID_3Step	Yes; PID controller with integrated optimization for valves	Yes; PID controller with integrated optimization for valves	Yes; PID controller with integrated optimization for valves
• PID-Temp	Yes; PID controller with integrated optimization for temperature	Yes; PID controller with integrated optimization for temperature	Yes; PID controller with integrated optimization for temperature
Counting and measuring			
• High-speed counter	Yes	Yes	Yes
Ambient conditions			
Ambient temperature during operation			
• horizontal installation, min.	0 °C	0 °C	0 °C
• horizontal installation, max.	60 °C; Display: 50 °C, at an operating temperature of typically 50 °C, the display is switched off	60 °C; Display: 50 °C, at an operating temperature of typically 50 °C, the display is switched off	60 °C; Display: 50 °C, at an operating temperature of typically 50 °C, the display is switched off
• vertical installation, min.	0 °C	0 °C	0 °C
• vertical installation, max.	40 °C; Display: 40 °C, at an operating temperature of typically 40 °C, the display is switched off	40 °C; Display: 40 °C, at an operating temperature of typically 40 °C, the display is switched off	40 °C; Display: 40 °C, at an operating temperature of typically 40 °C, the display is switched off
Altitude during operation relating to sea level			
• Installation altitude above sea level, max.	5 000 m; Restrictions for installation altitudes > 2 000 m, see manual	5 000 m; Restrictions for installation altitudes > 2 000 m, see manual	

SIMATIC S7-1500 Advanced Controllers

Central processing units

Standard CPUs

Technical specifications (continued)

Article number	6ES7517-3AP00-0AB0 CPU 1517-3 PN/DP, 2MB Prog./8MB data	6ES7518-4AP00-0AB0 CPU 1518-4 PN/DP, 4MB Prog., 20MB data	6ES7518-4AX00-1AC0 CPU 1518-4 PN/DP MFP + C/C++ RT + OPC UA
Configuration			
Programming			
Programming language			
- LAD	Yes	Yes	Yes
- FBD	Yes	Yes	Yes
- STL	Yes	Yes	Yes
- SCL	Yes	Yes	Yes
- GRAPH	Yes	Yes	Yes
Know-how protection			
• User program protection/password protection	Yes	Yes	Yes
• Copy protection	Yes	Yes	Yes
• Block protection	Yes	Yes	Yes
Access protection			
• Password for display	Yes	Yes	Yes
• Protection level: Write protection	Yes	Yes	Yes
• Protection level: Read/write protection	Yes	Yes	Yes
• Protection level: Complete protection	Yes	Yes	Yes
Open Development interfaces			
• Size of ODK SO file, max.			9.8 Mbyte
Dimensions			
Width	175 mm	175 mm	175 mm
Height	147 mm	147 mm	147 mm
Depth	129 mm	129 mm	129 mm
Weights			
Weight, approx.	1 978 g	1 988 g	2 117 g

SIMATIC S7-1500 Advanced Controllers

Central processing units

Standard CPUs

4

Ordering data	Article No.	Ordering data	Article No.
CPU 1511-1 PN 150 KB work memory for program, 1 MB for data, PROFINET IRT interface with 2-port switch; SIMATIC memory card required	6ES7511-1AK02-0AB0	SIMATIC S7-1500 DIN rail Fixed lengths, with grounding elements <ul style="list-style-type: none"> • 160 mm • 245 mm • 482 mm • 530 mm • 830 mm For cutting to length by customer, without drill holes; grounding elements must be ordered separately <ul style="list-style-type: none"> • 2 000 mm 	6ES7590-1AB60-0AA0 6ES7590-1AC40-0AA0 6ES7590-1AE80-0AA0 6ES7590-1AF30-0AA0 6ES7590-1AJ30-0AA0
CPU 1513-1 PN 300 KB work memory for program, 1.5 MB for data, PROFINET IRT interface with 2-port switch; SIMATIC memory card required	6ES7513-1AL02-0AB0		
CPU 1515-2 PN 500 KB work memory for program, 3 MB for data, PROFINET IRT interface with 2-port switch, PROFINET RT interface; SIMATIC memory card required	6ES7515-2AM01-0AB0		6ES7590-1BC00-0AA0
CPU 1516-3 PN/DP 1 MB work memory for program, 5 MB for data, PROFINET IRT interface with 2-port switch, PROFINET RT interface, PROFIBUS interface; SIMATIC memory card required	6ES7516-3AN01-0AB0	PE connection element for DIN rail 2 000 mm 20 units	6ES7590-5AA00-0AA0
CPU 1517-3 PN/DP 2 MB work memory for program, 8 MB for data, PROFINET IRT interface with 2-port switch, PROFINET RT interface, PROFIBUS interface; SIMATIC memory card required	6ES7517-3AP00-0AB0	Power supply For supplying the backplane bus of the S7-1500 controller 24 V DC input voltage, power 25 W 24/48/60 V DC input voltage, power 60 W 24/48/60 V DC input voltage, power 60 W, buffering functionality 120/230 V AC input voltage, power 60 W	6ES7505-0KA00-0AB0 6ES7505-0RA00-0AB0 6ES7505-0RB00-0AB0 6ES7507-0RA00-0AB0
CPU 1518-4 PN/DP 4 MB work memory for program, 20 MB for data, PROFINET IRT interface with 2-port switch, PROFINET RT interface, Ethernet interface, PROFIBUS interface; SIMATIC memory card required	6ES7518-4AP00-0AB0	Power connector With coding element for power supply module; spare part, 10 units	6ES7590-8AA00-0AA0
CPU 1518-4 PN/DP MFP CPU 1518-4 PN/DP MFP, including C/C++ Runtime and OPC UA runtime license	6ES7518-4AX00-1AC0	Load power supply 24 V DC/3 A 24 V DC/8 A	6EP1332-4BA00 6EP1333-4BA00
Accessories		Power supply connector Spare part; for connecting the 24 V DC supply voltage <ul style="list-style-type: none"> • With push-in terminals 	6ES7193-4JB00-0AA0
SIMATIC memory card		PROFIBUS FastConnect RS 485 bus connector with 90° cable outlet With insulation displacement, max. transmission rate 12 Mbps Without PG interface, grounding via control cabinet contact surface; 1 unit With PG interface, grounding via control cabinet contact surface; 1 unit	6ES7972-0BA70-0XA0 6ES7972-0BB70-0XA0
4 MB	6ES7954-8LC03-0AA0	PROFIBUS FC Standard Cable GP Standard type with special design for fast mounting, 2-wire, shielded; sold by the meter; max. delivery unit 1 000 m, minimum order quantity 20 m	6XV1830-0EH10
12 MB	6ES7954-8LE03-0AA0	PROFIBUS FC Robust Cable 2-wire, shielded; sold by the meter; max. delivery unit 1 000 m, minimum order quantity 20 m	6XV1830-0JH10
24 MB	6ES7954-8LF03-0AA0	PROFIBUS FC Flexible Cable 2-wire, shielded; sold by the meter; max. delivery unit 1 000 m, minimum order quantity 20 m	6XV1831-2K
256 MB	6ES7954-8LL03-0AA0		
2 GB	6ES7954-8LP02-0AA0		
32 GB	6ES7954-8LT03-0AA0		

Ordering data	Article No.	Article No.
PROFIBUS FC Trailing Cable 2-wire, shielded; sold by the meter; max. delivery unit 1 000 m, minimum order quantity 20 m Sheath color: Petrol Sheath color: Violet	6XV1830-3EH10 6XV1831-2L	IE FC TP Marine Cable 2 x 2 (Type B) 4-wire, shielded TP installation cable for connection to IE FC RJ45 outlet/IE FC RJ45 plug 180/90 with marine approval; sold by the meter; max. delivery unit 1 000 m, minimum order quantity 20 m
PROFIBUS FC Food Cable 2-wire, shielded; sold by the meter; max. delivery unit 1 000 m, minimum order quantity 20 m	6XV1830-0GH10	IE FC stripping tool Preadjusted stripping tool for fast stripping of Industrial Ethernet FC cables
PROFIBUS FC Ground Cable 2-wire, shielded; sold by the meter; max. delivery unit 1 000 m, minimum order quantity 20 m	6XV1830-3FH10	Display For CPU 1511-1 PN and CPU 1513-1 PN; spare part For CPU 1515-2 PN, CPU 1516-3 PN/DP, CPU 1517-3 PN/DP and CPU 1518-4 PN/DP; spare part
PROFIBUS FC FRNC Cable GP 2-wire, shielded, flame-retardant, with copolymer outer sheath FRNC; sold by the meter; max. delivery unit 1 000 m, minimum order quantity 20 m	6XV1830-0LH10	Front cover for PROFIBUS DP interface For CPU 1517-3 PN/DP, CPU 1518-4 PN/DP, CPU 1518-4 PN/DP ODK and CPU 1518-4 PN/DP MFP; spare part
PROFIBUS FastConnect stripping tool Preadjusted stripping tool for fast stripping of PROFIBUS FastConnect bus cables	6GK1905-6AA00	SIMATIC S7-1500 Starter Kit Comprising: CPU 1511C-1 PN, SIMATIC memory card 4 MB, 160 mm DIN rail, front connector, STEP 7 Professional 365-day license, PM 70 W 120/230 V AC power supply, Ethernet cable, documentation
IE FC RJ45 plugs RJ45 plug connector for Industrial Ethernet with a rugged metal enclosure and integrated insulation displacement contacts for connecting Industrial Ethernet FC installation cables		
IE FC RJ45 plug 180 180° cable outlet 1 unit 10 units 50 units	6GK1901-1BB10-2AA0 6GK1901-1BB10-2AB0 6GK1901-1BB10-2AE0	
IE FC TP Standard Cable GP 2x2 4-wire, shielded TP installation cable for connection to IE FC RJ45 outlet/IE FC RJ45 plug; PROFINET-compatible; with UL approval; sold by the meter; max. delivery unit 1 000 m, minimum order quantity 20 m	6XV1840-2AH10	
IE FC TP Trailing Cable 2 x 2 (Type C) 4-wire, shielded TP installation cable for connection to IE FC RJ45 outlet/IE FC RJ45 plug 180/90 for use as trailing cable; PROFINET-compatible; with UL approval; sold by the meter; max. delivery unit 1 000 m, minimum order quantity 20 m	6XV1840-3AH10	

Overview SIPLUS CPU 1511-1 PN



- Entry-level CPU in the S7-1500 controller product range
- Suitable for applications with medium requirements for program scope and processing speed
- Used as central controller in production lines with central and distributed I/O
- PROFINET IO IRT interface with 2-port switch
- PROFINET IO controller for operating distributed I/O on PROFINET
- PROFINET I-Device for connecting the CPU as an intelligent PROFINET device under a SIMATIC or non-Siemens PROFINET I/O controller
- Isochronous mode
- SIMATIC memory card required for operation of the CPU

Note:

SIPLUS extreme products are based on SIMATIC standard products. The contents listed here were taken from the respective standard products. SIPLUS extreme specific information was added.

Overview SIPLUS CPU 1513-1 PN



- The CPU for applications with medium/high requirements for program/data storage in the S7-1500 controller product range
- High processing speed for binary and floating-point arithmetic
- Used as central controller in production lines with central and distributed I/O
- PROFINET IO IRT interface with 2-port switch

- PROFINET IO controller for operating distributed I/O on PROFINET
- PROFINET I-Device for connecting the CPU as an intelligent PROFINET device under a SIMATIC or non-Siemens PROFINET I/O controller
- Isochronous mode
- SIMATIC memory card required for operation of the CPU

Note:

SIPLUS extreme products are based on SIMATIC standard products. The contents listed here were taken from the respective standard products. SIPLUS extreme specific information was added.

Overview CPU 1516-3 PN/DP



- The CPU with large program and data memory in the S7-1500 controller product range for applications with high program scope requirements.
- High processing speed for binary and floating-point arithmetic
- Used as central controller in production lines with central and distributed I/O
- PROFINET IO IRT interface with 2-port switch
- Additional PROFINET interface with separate IP address
- PROFINET IO controller for operating distributed I/O on PROFINET.
- PROFINET I-Device for connecting the CPU as an intelligent PROFINET device under a SIMATIC or non-Siemens PROFINET IO controller.
- PROFIBUS DP master interface
- Isochronous mode on PROFIBUS and PROFINET
- SIMATIC memory card required for operation of the CPU

Note:

SIPLUS extreme products are based on SIMATIC standard products. The contents listed here were taken from the respective standard products. SIPLUS extreme specific information was added.

SIMATIC S7-1500 Advanced Controllers

Central processing units

SIPLUS standard CPUs

Overview SIPLUS CPU 1518-4 PN/DP



Overview SIPLUS CPU 1518-4 PN/DP MFP



4

- The CPU with a very large program and data memory in the S7-1500 controller product range for demanding applications with extremely high requirements regarding program scope, performance and networking
- Extremely high processing speed for binary and floating-point arithmetic
- For cross-industry automation tasks in series machine, special machine and plant construction
- Used as central controller in production lines with central and distributed I/O
- PROFINET IO IRT interface with 2-port switch
- Two additional PROFINET interfaces with separate IP address
- PROFINET IO controller for operating distributed I/O on PROFINET.
- PROFINET I-Device for connecting the CPU as an intelligent PROFINET device under a SIMATIC or non-Siemens PROFINET IO controller.
- PROFIBUS DP master interface
- Isochronous mode on PROFIBUS and PROFINET
- Integrated motion control functionalities for controlling speed-controlled and positioning axes, support for external encoders
- Integrated web server with the option of creating user-defined web pages

SIMATIC memory card required for operating the CPU

Note:

SIPLUS extreme products are based on SIMATIC standard products. The contents listed here were taken from the respective standard products. SIPLUS extreme specific information has been added.

- CPU with an extremely large program and data memory in the S7-1500 controller product range for demanding applications with demanding requirements regarding program scope, performance and networking
- Extremely high processing speed for binary and floating-point arithmetic
- For cross-industry automation tasks in series machines, special machines and plant construction
- C/C++ functions can be called and executed in the CPU runtime.
- In parallel to the CPU runtime, there is an additional C/C++ Runtime, in which call-independent, i.e. stand-alone, C/C++ applications can be executed.
- Used as central controller in production lines with central and distributed I/O
- PROFINET IO IRT interface with 2-port switch
- PROFINET IO controller for operating distributed I/O on PROFINET
- PROFINET I-Device for connecting the CPU as an intelligent PROFINET device under a SIMATIC or non-Siemens PROFINET IO controller
- Two additional PROFINET interfaces with separate IP addresses for network separation:
The PROFINET interface X2 can be used for connecting additional PROFINET IO RT devices or for fast communication as an I-Device. The PROFINET interface X3 facilitates data transfer at a speed of 1 Gbps.
- PROFIBUS DP master interface
- OPC UA server (Data Access) as runtime option for the easy connection of SIMATIC S7-1500 to third-party devices/systems
- Isochronous mode on PROFIBUS and PROFINET
- Integrated motion control functionalities for controlling speed-controlled and positioning axes, support for external encoders, gearing between axes, output cams/cam tracks and probes
- Integrated web server for diagnostics with the option of creating user-defined web pages

Overview SIPLUS CPU 1518-4 PN/DP MFP (continued)

Multi-functional platform

With the multi-functional platform (MFP), more functionality can be accommodated in a module. The computing power of the CPU 1518-4 PN/DP MFP allows the merging of previously separate applications on a common platform, and continues to meet the high demands of the S7-1500 in respect of ease of maintenance and ruggedness.

This means that, in addition to the control function, it is also possible to process typical PC applications on the multi-functional platform, e.g. tasks that:

- require high-level language programming,
- are developed based on models, or
- have to be solved via databases.

Thus, in addition to the option of running C/C++ code in the standard STEP 7 program, the CPU 1518-4 PN/DP MFP multi-functional platform provides an additional second independent runtime environment in order to execute C/C++ applications in parallel to the STEP 7 program if required.

Control-independent applications, e.g. protocol converters, database applications and others, can be created in C/C++. This simplifies the creation or reuse of customer-specific,

high-level language applications.

The CPU 1518-4 PN/DP MFP has the quantity structure and functionality of a CPU 1518-4 PN/DP with regard to the control unit. In addition to the user program created with STEP 7 in the TIA Portal, C/C++ functions formulated via the SIMATIC ODK 1500S can be integrated into the standard user program.

By using SIMATIC ODK 1500S (ODK - Open Development Kit), higher-level programming language mechanisms, such as object orientation, can also be utilized.

Furthermore, with the SIMATIC Target 1500S™ engineering package for Simulink®, it is also possible to integrate complex Simulink models to take advantage of the model-based development using MATLAB and Simulink®.

Note:

SIMATIC memory card required for operation of the CPU.

SIPLUS extreme products are based on SIMATIC standard products. The contents listed here were taken from the corresponding standard products. SIPLUS extreme specific information has been added.

Technical specifications

Article number	6AG1511-1AK02-2AB0	6AG1511-1AK01-7AB0	6AG1513-1AL02-2AB0	6AG1513-1AL01-7AB0
Based on	6ES7511-1AK02-0AB0	6ES7511-1AK01-0AB0	6ES7513-1AL02-0AB0	6ES7513-1AL01-0AB0
	SIPLUS S7-1500 CPU 1511-1 PN	SIPLUS S7-1500 CPU 1511-1 PN	SIPLUS S7-1500 CPU 1513-1 PN	SIPLUS S7-1500 CPU 1513-1 PN
Ambient conditions				
Ambient temperature during operation				
• horizontal installation, min.	-40 °C; = Tmin (incl. condensation/frost)	-40 °C; = Tmin (incl. condensation/frost); start-up @ -20 °C	-40 °C; = Tmin (incl. condensation/frost)	-40 °C; = Tmin (incl. condensation/frost); start-up @ -20 °C
• horizontal installation, max.	60 °C; Display: 50 °C, at an operating temperature of typically 50 °C, the display is switched off	70 °C; Display: 50 °C , at an operating temperature of typically 50 °C, the display is switched off	60 °C; Display: 50 °C, at an operating temperature of typically 50 °C, the display is switched off	70 °C; Display: 50 °C, at an operating temperature of typically 50 °C, the display is switched off
• vertical installation, min.	-40 °C; = Tmin	-40 °C; = Tmin; Startup @ -20 °C	-40 °C; = Tmin	-40 °C; = Tmin; Startup @ -20 °C
• vertical installation, max.	40 °C; Display: 40 °C, at an operating temperature of typically 40 °C, the display is switched off	40 °C; Display: 40 °C, at an operating temperature of typically 40 °C, the display is switched off	40 °C; Display: 40 °C, at an operating temperature of typically 40 °C, the display is switched off	40 °C; Display: 40 °C, at an operating temperature of typically 40 °C, the display is switched off
Altitude during operation relating to sea level				
• Installation altitude above sea level, max.	5 000 m	5 000 m	5 000 m	5 000 m
• Ambient air temperature-barometric pressure-altitude	Tmin ... Tmax at 1 080 hPa ... 795 hPa (-1 000 m ... +2 000 m) // Tmin ... (Tmax - 10 K) at 795 hPa ... 658 hPa (+2 000 m ... +3 500 m) // Tmin ... (Tmax - 20 K) at 658 hPa ... 540 hPa (+3 500 m ... +5 000 m)	Tmin ... Tmax at 1 140 hPa ... 795 hPa (-1 000 m ... +2 000 m) // Tmin ... (Tmax - 10 K) at 795 hPa ... 658 hPa (+2 000 m ... +3 500 m) // Tmin ... (Tmax - 20 K) at 658 hPa ... 540 hPa (+3 500 m ... +5 000 m)	Tmin ... Tmax at 1 080 hPa ... 795 hPa (-1 000 m ... +2 000 m) // Tmin ... (Tmax - 10 K) at 795 hPa ... 658 hPa (+2 000 m ... +3 500 m) // Tmin ... (Tmax - 20 K) at 658 hPa ... 540 hPa (+3 500 m ... +5 000 m)	Tmin ... Tmax at 1 140 hPa ... 795 hPa (-1 000 m ... +2 000 m) // Tmin ... (Tmax - 10 K) at 795 hPa ... 658 hPa (+2 000 m ... +3 500 m) // Tmin ... (Tmax - 20 K) at 658 hPa ... 540 hPa (+3 500 m ... +5 000 m)
Relative humidity				
• With condensation, tested in accordance with IEC 60068-2-38, max.	100 %; RH incl. condensation / frost (no commissioning in bedewed state), horizontal installation	100 %; RH incl. condensation / frost (no commissioning in bedewed state), horizontal installation	100 %; RH incl. condensation / frost (no commissioning in bedewed state), horizontal installation	100 %; RH incl. condensation / frost (no commissioning in bedewed state), horizontal installation

SIMATIC S7-1500 Advanced Controllers

Central processing units

SIPLUS standard CPUs

Technical specifications (continued)

Article number	6AG1511-1AK02-2AB0	6AG1511-1AK01-7AB0	6AG1513-1AL02-2AB0	6AG1513-1AL01-7AB0
Based on	6ES7511-1AK02-0AB0 SIPLUS S7-1500 CPU 1511-1 PN	6ES7511-1AK01-0AB0 SIPLUS S7-1500 CPU 1511-1 PN	6ES7513-1AL02-0AB0 SIPLUS S7-1500 CPU 1513-1 PN	6ES7513-1AL01-0AB0 SIPLUS S7-1500 CPU 1513-1 PN
Resistance				
Coolants and lubricants				
- Resistant to commercially available coolants and lubricants	Yes; Incl. diesel and oil droplets in the air	Yes; Incl. diesel and oil droplets in the air	Yes; Incl. diesel and oil droplets in the air	Yes; Incl. diesel and oil droplets in the air
Use in stationary industrial systems				
- to biologically active substances according to EN 60721-3-3	Yes; Class 3B2 mold, fungus and dry rot spores (with the exception of fauna); Class 3B3 on request	Yes; Class 3B2 mold, fungus and dry rot spores (with the exception of fauna); Class 3B3 on request	Yes; Class 3B2 mold, fungus and dry rot spores (with the exception of fauna); Class 3B3 on request	Yes; Class 3B2 mold, fungus and dry rot spores (with the exception of fauna); Class 3B3 on request
- to chemically active substances according to EN 60721-3-3	Yes; Class 3C4 (RH < 75%) incl. salt spray according to EN 60068-2-52 (degree of severity 3). The supplied connector covers must remain on the unused interfaces during operation!	Yes; Class 3C4 (RH < 75%) incl. salt spray acc. to EN 60068-2-52 (severity degree 3); *	Yes; Class 3C4 (RH < 75%) incl. salt spray according to EN 60068-2-52 (degree of severity 3). The supplied connector covers must remain on the unused interfaces during operation!	Yes; Class 3C4 (RH < 75%) incl. salt spray acc. to EN 60068-2-52 (severity degree 3); *
- to mechanically active substances according to EN 60721-3-3	Yes; Class 3S4 incl. sand, dust. The supplied connector covers must remain on the unused interfaces during operation!	Yes; Class 3S4 incl. sand, dust; *	Yes; Class 3S4 incl. sand, dust. The supplied connector covers must remain on the unused interfaces during operation!	Yes; Class 3S4 incl. sand, dust; *
Use on ships/at sea				
- to biologically active substances according to EN 60721-3-6	Yes; Class 6B2 mold and fungal spores (excluding fauna); Class 6B3 on request	Yes; Class 6B2 mold and fungal spores (excluding fauna); Class 6B3 on request	Yes; Class 6B2 mold and fungal spores (excluding fauna); Class 6B3 on request	Yes; Class 6B2 mold and fungal spores (excluding fauna); Class 6B3 on request
- to chemically active substances according to EN 60721-3-6	Yes; Class 6C3 (RH < 75%) incl. salt spray acc. to EN 60068-2-52 (severity degree 3); *	Yes; Class 6C3 (RH < 75%) incl. salt spray acc. to EN 60068-2-52 (severity degree 3); *	Yes; Class 6C3 (RH < 75%) incl. salt spray acc. to EN 60068-2-52 (severity degree 3); *	Yes; Class 6C3 (RH < 75%) incl. salt spray acc. to EN 60068-2-52 (severity degree 3); *
- to mechanically active substances according to EN 60721-3-6	Yes; Class 6S3 incl. sand, dust; *	Yes; Class 6S3 incl. sand, dust; *	Yes; Class 6S3 incl. sand, dust; *	Yes; Class 6S3 incl. sand, dust; *
Remark				
- Note regarding classification of environmental conditions acc. to EN 60721	* The supplied plug covers must remain in place over the unused interfaces during operation!	* The supplied plug covers must remain in place over the unused interfaces during operation!	* The supplied plug covers must remain in place over the unused interfaces during operation!	* The supplied plug covers must remain in place over the unused interfaces during operation!
Conformal coating				
• Coatings for printed circuit board assemblies acc. to EN 61086	Yes; Class 2 for high availability	Yes; Class 2 for high availability	Yes; Class 2 for high availability	Yes; Class 2 for high availability
• Protection against fouling acc. to EN 60664-3	Yes; Type 1 protection	Yes; Type 1 protection	Yes; Type 1 protection	Yes; Type 1 protection
• Military testing according to MIL-I-46058C, Amendment 7	Yes; Discoloration of coating possible during service life	Yes; Discoloration of coating possible during service life	Yes; Discoloration of coating possible during service life	Yes; Discoloration of coating possible during service life
• Qualification and Performance of Electrical Insulating Compound for Printed Board Assemblies according to IPC-CC-830A	Yes; Conformal coating, Class A	Yes; Conformal coating, Class A	Yes; Conformal coating, Class A	Yes; Conformal coating, Class A

Technical specifications (continued)

Article number	6AG1516-3AN01-2AB0	6AG1516-3AN01-7AB0	6AG1518-4AP00-4AB0
Based on	6ES7516-3AN01-0AB0	6ES7516-3AN01-0AB0	6ES7518-4AP00-1AB0
	SIPLUS S7-1500 CPU 1516-3 PN/DP	SIPLUS S7-1500 CPU 1516-3 PN/DP	SIPLUS S7-1500 CPU 1518-4 PN/DP
Ambient conditions			
Ambient temperature during operation			
• horizontal installation, min.	-40 °C; = Tmin (incl. condensation/frost); start-up @ -20 °C	-40 °C; = Tmin (incl. condensation/frost); start-up @ -20 °C	0 °C; = Tmin (incl. condensation/frost)
• horizontal installation, max.	60 °C; Display: 50 °C, at an operating temperature of typically 50 °C, the display is switched off	70 °C; Display: 50 °C, at an operating temperature of typically 50 °C, the display is switched off	60 °C; Display: 50 °C, at an operating temperature of typically 50 °C, the display is switched off
• vertical installation, min.	-40 °C; = Tmin; Startup @ -20 °C	-40 °C; = Tmin; Startup @ -20 °C	0 °C; = Tmin
• vertical installation, max.	40 °C; Display: 40 °C, at an operating temperature of typically 40 °C, the display is switched off	40 °C; Display: 40 °C, at an operating temperature of typically 40 °C, the display is switched off	40 °C; Display: 40 °C, at an operating temperature of typically 40 °C, the display is switched off
Altitude during operation relating to sea level			
• Installation altitude above sea level, max.	5 000 m	5 000 m	5 000 m
• Ambient air temperature-barometric pressure-altitude	Tmin ... Tmax at 1 140 hPa ... 795 hPa (-1 000 m ... +2 000 m) // Tmin ... (Tmax - 10 K) at 795 hPa ... 658 hPa (+2 000 m ... +3 500 m) / / Tmin ... (Tmax -20 K) at 658 hPa ... 540 hPa (+3 500 m ... +5 000 m)	Tmin ... Tmax at 1 140 hPa ... 795 hPa (-1 000 m ... +2 000 m) // Tmin ... (Tmax - 10 K) at 795 hPa ... 658 hPa (+2 000 m ... +3 500 m) // Tmin ... (Tmax -20 K) at 658 hPa ... 540 hPa (+3 500 m ... +5 000 m)	Tmin ... Tmax at 1 140 hPa ... 795 hPa (-1 000 m ... +2 000 m) // Tmin ... (Tmax - 10 K) at 795 hPa ... 658 hPa (+2 000 m ... +3 500 m) // Tmin ... (Tmax -20 K) at 658 hPa ... 540 hPa (+3 500 m ... +5 000 m)
Relative humidity			
• With condensation, tested in accordance with IEC 60068-2-38, max.	100 %; RH incl. condensation / frost (no commissioning in bedewed state), horizontal installation	100 %; RH incl. condensation / frost (no commissioning in bedewed state), horizontal installation	100 %; RH incl. condensation/frost (no commissioning under condensation conditions)
Resistance			
Coolants and lubricants			
- Resistant to commercially available coolants and lubricants	Yes; Incl. diesel and oil droplets in the air	Yes; Incl. diesel and oil droplets in the air	Yes; Incl. diesel and oil droplets in the air
Use in stationary industrial systems			
- to biologically active substances according to EN 60721-3-3	Yes; Class 3B2 mold, fungus and dry rot spores (with the exception of fauna); Class 3B3 on request	Yes; Class 3B2 mold, fungus and dry rot spores (with the exception of fauna); Class 3B3 on request	Yes; Class 3B2 mold, fungus and dry rot spores (with the exception of fauna); Class 3B3 on request
- to chemically active substances according to EN 60721-3-3	Yes; Class 3C4 (RH < 75 %) incl. salt spray acc. to EN 60068-2-52 (severity degree 3); *	Yes; Class 3C4 (RH < 75 %) incl. salt spray acc. to EN 60068-2-52 (severity degree 3); *	Yes; Class 3C4 (RH < 75 %) incl. salt spray acc. to EN 60068-2-52 (severity degree 3); *
- to mechanically active substances according to EN 60721-3-3	Yes; Class 3S4 incl. sand, dust, *	Yes; Class 3S4 incl. sand, dust, *	Yes; Class 3S4 incl. sand, dust, *
Use on ships/at sea			
- to biologically active substances according to EN 60721-3-6	Yes; Class 6B2 mold and fungal spores (excluding fauna); Class 6B3 on request	Yes; Class 6B2 mold and fungal spores (excluding fauna); Class 6B3 on request	Yes; Class 6B2 mold and fungal spores (excluding fauna); Class 6B3 on request
- to chemically active substances according to EN 60721-3-6	Yes; Class 6C3 (RH < 75 %) incl. salt spray acc. to EN 60068-2-52 (severity degree 3); *	Yes; Class 6C3 (RH < 75 %) incl. salt spray acc. to EN 60068-2-52 (severity degree 3); *	Yes; Class 6C3 (RH < 75 %) incl. salt spray acc. to EN 60068-2-52 (severity degree 3); *
- to mechanically active substances according to EN 60721-3-6	Yes; Class 6S3 incl. sand, dust; *	Yes; Class 6S3 incl. sand, dust; *	Yes; Class 6S3 incl. sand, dust; *
Remark			
- Note regarding classification of environmental conditions acc. to EN 60721	* The supplied plug covers must remain in place over the unused interfaces during operation!	* The supplied plug covers must remain in place over the unused interfaces during operation!	* The supplied plug covers must remain in place over the unused interfaces during operation!
Conformal coating			
• Coatings for printed circuit board assemblies acc. to EN 61086	Yes; Class 2 for high availability	Yes; Class 2 for high availability	Yes; Class 2 for high availability
• Protection against fouling acc. to EN 60664-3	Yes; Type 1 protection	Yes; Type 1 protection	Yes; Type 1 protection
• Military testing according to MIL-I-46058C, Amendment 7	Yes; Discoloration of coating possible during service life	Yes; Discoloration of coating possible during service life	Yes; Discoloration of coating possible during service life
• Qualification and Performance of Electrical Insulating Compound for Printed Board Assemblies according to IPC-CC-830A	Yes; Conformal coating, Class A	Yes; Conformal coating, Class A	Yes; Conformal coating, Class A

SIMATIC S7-1500 Advanced Controllers

Central processing units

SIPLUS standard CPUs

Ordering data

Article No.

Article No.

SIPLUS CPU 1511-1 PN

(Extended temperature range and exposure to media)

150 KB work memory for program, 1 MB for data, PROFINET IRT interface with 2-port switch; SIMATIC memory card required

Temperature range -40 ... +60 °C

6AG1511-1AK02-2AB0

Temperature range -40 ... +70 °C (startup -20 °C)

6AG1511-1AK01-7AB0

SIPLUS CPU 1513-1 PN

(Extended temperature range and exposure to media)

300 KB work memory for program, 1.5 MB for data, PROFINET IRT interface with 2-port switch; SIMATIC memory card required

Temperature range -40 ... +60 °C

6AG1513-1AL02-2AB0

Temperature range -40 ... +70 °C (startup -20 °C)

6AG1513-1AL01-7AB0

SIPLUS CPU 1516-3 PN/DP

(Extended temperature range and exposure to media)

1 MB work memory for program, 5 MB for data, PROFINET IRT interface with 2-port switch, PROFINET RT interface, PROFIBUS interface; SIMATIC memory card required

Temperature range -40 ... +60 °C (startup -20 °C)

6AG1516-3AN01-2AB0

Temperature range -40 ... +70 °C (startup -20 °C)

6AG1516-3AN01-7AB0

SIPLUS CPU 1518-4 PN/DP

(Exposure to media)

3 MB work memory for program, 10 MB for data, PROFINET IRT interface with 2-port switch, PROFINET RT interface, Ethernet interface, PROFIBUS interface; SIMATIC memory card required

6AG1518-4AP00-4AB0

SIPLUS CPU 1518-4 PN/DP MFP

(Exposure to media)

4 MB work memory for program, 20 MB for data, 50 MB for CPU function library in the CPU runtime, 500 MB for C/C++ Runtime application, PROFINET IRT interface with 2-port switch, PROFINET RT interface, Ethernet interface, PROFIBUS interface; C/C++ Runtime and OPC UA runtime license included; SIMATIC memory card required

6AG1518-4AX00-4AC0

Accessories

System power supply

(Extended temperature range and exposure to media)

24 V DC input voltage, power 25 W

6AG1505-0KA00-7AB0

24/48/60 V DC input voltage, power 60 W

6AG1505-0RA00-7AB0

120/230 V AC input voltage, power 60 W

6AG1507-0RA00-7AB0

Load power supply

(Extended temperature range and exposure to media)

24 V DC/3 A

6AG1332-4BA00-7AA0

24 V DC/8 A

6AG1333-4BA00-7AA0

Display

(Extended temperature range and exposure to media)

For SIPLUS CPU 1511-1 PN and CPU 1513-1 PN; spare part

6AG1591-1AA01-2AA0

For SIPLUS CPU 1516-3 PN/DP, SIPLUS CPU 1518-4 PN/DP and SIPLUS CPU 1518-4 PN/DP MFP; spare part

6AG1591-1BA01-2AA0

Other accessories

See SIMATIC S7-1500, standard CPUs, page 4/22

Overview CPU 1511C-1 PN



- The compact CPU with integral digital and analog inputs and outputs in the product spectrum of the S7-1500 controllers
- With integrated technological functions, e.g. high-speed counter (HSC), frequency measurement, period duration measurement or stepper motor control, pulse duration modulation, frequency output
- Suitable for applications with medium requirements for program scope and processing speed
- Used as central controller in production lines with central and distributed I/O
- PROFINET IO IRT interface with 2-port switch
- PROFINET IO controller for operating distributed I/O on PROFINET
- PROFINET I-Device for connecting the CPU as an intelligent PROFINET device under a SIMATIC or non-Siemens PROFINET IO controller
- OPC UA server and client as runtime option for the easy connection of SIMATIC S7-1500 to third-party devices/ systems with the functions:
 - OPC UA Data Access
 - OPC UA Security
 - OPC UA Methods Call
 - Support of OPC UA Companion specifications.
- Isochronous mode (distributed)
- Integrated motion control functionalities for controlling speed-controlled and positioning axes, support for external encoders, output cams/cam tracks and probes
- Integrated web server for diagnostics with the option of creating user-defined web pages

Note:

SIMATIC memory card required for operation of the CPU.

Overview CPU 1512C-1 PN



- The compact CPU with integral digital and analog inputs and outputs in the product spectrum of the S7-1500 controllers
- With integrated technological functions, e.g. high-speed counter (HSC), frequency measurement, period duration measurement or stepper motor control, pulse duration modulation, frequency output
- Suitable for applications with medium requirements for program scope and processing speed
- Used as central controller in production lines with central and distributed I/O
- PROFINET IO IRT interface with 2-port switch
- PROFINET IO controller for operating distributed I/O on PROFINET
- PROFINET I-Device for connecting the CPU as an intelligent PROFINET device under a SIMATIC or non-Siemens PROFINET IO controller
- OPC UA server and client as runtime option for the easy connection of SIMATIC S7-1500 to third-party devices/ systems with the functions:
 - OPC UA Data Access
 - OPC UA Security
 - OPC UA Methods Call
 - Support of OPC UA Companion specifications.
- Isochronous mode (distributed)
- Integrated motion control functionalities for controlling speed-controlled and positioning axes, support for external encoders, output cams/cam tracks and probes
- Integrated web server for diagnostics with the option of creating user-defined web pages

Note:

SIMATIC memory card required for operation of the CPU.

SIMATIC S7-1500 Advanced Controllers

Central processing units

Compact CPUs

Technical specifications

Article number	6ES7511-1CK01-0AB0 CPU 1511C-1 PN, 175 KB Prog, 1 MB data	6ES7512-1CK01-0AB0 CPU 1512C-1 PN, 250 KB Prog, 1 MB data
General information		
Product type designation	CPU 1511C-1 PN	CPU 1512C-1 PN
Engineering with		
• STEP 7 TIA Portal configurable/ integrated as of version	V15.1 (FW V2.6) / V15 (FW V2.5) or higher; with older TIA Portal versions configurable as 6ES7511-1CK00-0AB0	V15.1 (FW V2.6) / V15 (FW V2.5) or higher; with older TIA Portal versions configurable as 6ES7512-1CK00-0AB0
Display		
Screen diagonal [cm]	3.45 cm	3.45 cm
Supply voltage		
Type of supply voltage	24 V DC	24 V DC
Memory		
Work memory		
• integrated (for program)	175 kbyte	250 kbyte
• integrated (for data)	1 Mbyte	1 Mbyte
Load memory		
• Plug-in (SIMATIC memory card), max.	32 Gbyte	32 Gbyte
CPU processing times		
for bit operations, typ.	60 ns	48 ns
for word operations, typ.	72 ns	58 ns
for fixed point arithmetic, typ.	96 ns	77 ns
for floating point arithmetic, typ.	384 ns	307 ns
Counters, timers and their retentivity		
S7 counter		
• Number	2 048	2 048
IEC counter		
• Number	Any (only limited by the main memory)	Any (only limited by the main memory)
S7 times		
• Number	2 048	2 048
IEC timer		
• Number	Any (only limited by the main memory)	Any (only limited by the main memory)
Data areas and their retentivity		
Flag		
• Number, max.	16 kbyte	16 kbyte
Address area		
I/O address area		
• Inputs	32 kbyte; All inputs are in the process image	32 kbyte; All inputs are in the process image
• Outputs	32 kbyte; All outputs are in the process image	32 kbyte; All outputs are in the process image
Time of day		
Clock		
• Type	Hardware clock	Hardware clock
Digital inputs		
integrated channels (DI)	16	32
Digital outputs		
integrated channels (DO)	16	32
Short-circuit protection	Yes; electronic/thermal	Yes; electronic/thermal
Analog outputs		
integrated channels (AO)	2	2
1. Interface		
Interface types		
• Number of ports	2	2
• integrated switch	Yes	Yes
• RJ 45 (Ethernet)	Yes; X1	Yes; X1

Technical specifications (continued)

Article number	6ES7511-1CK01-0AB0	6ES7512-1CK01-0AB0
	CPU 1511C-1 PN, 175 KB Prog, 1 MB data	CPU 1512C-1 PN, 250 KB Prog, 1 MB data
Protocols		
• IP protocol	Yes; IPv4	Yes; IPv4
• PROFINET IO Controller	Yes	Yes
• PROFINET IO Device	Yes	Yes
• SIMATIC communication	Yes	Yes
• Open IE communication	Yes	Yes
• Web server	Yes	Yes
• Media redundancy	Yes; MRP Automanager according to IEC 62439-2 Edition 2.0	Yes; MRP Automanager according to IEC 62439-2 Edition 2.0
PROFINET IO Controller		
Services		
- PG/OP communication	Yes	Yes
- S7 routing	Yes	Yes
- Isochronous mode	Yes	Yes
- Open IE communication	Yes	Yes
- IRT	Yes	Yes
- MRP	Yes; As MRP redundancy manager and/or MRP client; max. number of devices in the ring: 50	Yes; As MRP redundancy manager and/or MRP client; max. number of devices in the ring: 50
- MRPD	Yes; Requirement: IRT	Yes; Requirement: IRT
- PROFIenergy	Yes	Yes
- Prioritized startup	Yes; Max. 32 PROFINET devices	Yes; Max. 32 PROFINET devices
- Number of connectable IO Devices, max.	128; In total, up to 256 distributed I/O devices can be connected via AS-i, PROFIBUS or PROFINET	128; In total, up to 512 distributed I/O devices can be connected via AS-i, PROFIBUS or PROFINET
- Of which IO devices with IRT, max.	64	64
- Number of connectable IO Devices for RT, max.	128	128
- of which in line, max.	128	128
- Number of IO Devices that can be simultaneously activated/deactivated, max.	8; in total across all interfaces	8; in total across all interfaces
- Number of IO Devices per tool, max.	8	8
- Updating times	The minimum value of the update time also depends on communication share set for PROFINET IO, on the number of IO devices, and on the quantity of configured user data	The minimum value of the update time also depends on communication share set for PROFINET IO, on the number of IO devices, and on the quantity of configured user data
Update time for IRT		
- for send cycle of 250 µs	250 µs to 4 ms; Note: In the case of IRT with isochronous mode, the minimum update time of 625 µs of the isochronous OB is decisive	250 µs to 4 ms; Note: In the case of IRT with isochronous mode, the minimum update time of 625 µs of the isochronous OB is decisive
- for send cycle of 500 µs	500 µs to 8 ms; Note: In the case of IRT with isochronous mode, the minimum update time of 625 µs of the isochronous OB is decisive	500 µs to 8 ms; Note: In the case of IRT with isochronous mode, the minimum update time of 625 µs of the isochronous OB is decisive
- for send cycle of 1 ms	1 ms to 16 ms	1 ms to 16 ms
- for send cycle of 2 ms	2 ms to 32 ms	2 ms to 32 ms
- for send cycle of 4 ms	4 ms to 64 ms	4 ms to 64 ms
- With IRT and parameterization of "odd" send cycles	Update time = set "odd" send clock (any multiple of 125 µs: 375 µs, 625 µs ... 3 875 µs)	Update time = set "odd" send clock (any multiple of 125 µs: 375 µs, 625 µs ... 3 875 µs)
Update time for RT		
- for send cycle of 250 µs	250 µs to 128 ms	250 µs to 128 ms
- for send cycle of 500 µs	500 µs to 256 ms	500 µs to 256 ms
- for send cycle of 1 ms	1 ms to 512 ms	1 ms to 512 ms
- for send cycle of 2 ms	2 ms to 512 ms	2 ms to 512 ms
- for send cycle of 4 ms	4 ms to 512 ms	4 ms to 512 ms

SIMATIC S7-1500 Advanced Controllers

Central processing units

Compact CPUs

Technical specifications (continued)

Article number	6ES7511-1CK01-0AB0 CPU 1511C-1 PN, 175 KB Prog, 1 MB data	6ES7512-1CK01-0AB0 CPU 1512C-1 PN, 250 KB Prog, 1 MB data
PROFINET IO Device		
Services		
- PG/OP communication	Yes	Yes
- S7 routing	Yes	Yes
- Isochronous mode	No	No
- Open IE communication	Yes	Yes
- IRT	Yes	Yes
- MRP	Yes; As MRP redundancy manager and/or MRP client; max. number of devices in the ring: 50	Yes; As MRP redundancy manager and/or MRP client; max. number of devices in the ring: 50
- MRPD	Yes; Requirement: IRT	Yes; Requirement: IRT
- PROFlenergy	Yes	Yes
- Shared device	Yes	Yes
- Number of IO Controllers with shared device, max.	4	4
- Asset management record	Yes; Per user program	Yes; Per user program
Protocols		
Number of connections		
• Number of connections, max.	96; via integrated interfaces of the CPU and connected CPs / CMs	128; via integrated interfaces of the CPU and connected CPs / CMs
OPC UA		
• OPC UA client	Yes	Yes
• OPC UA server	Yes; Data access (read, write, subscribe), method call, custom address space	Yes; Data access (read, write, subscribe), method call, custom address space
Isochronous mode		
Isochronous operation (application synchronized up to terminal)	Yes; With minimum OB 6x cycle of 625 µs (distributed)	Yes; With minimum OB 6x cycle of 625 µs (distributed)
Supported technology objects		
Motion control	Yes; Note: The number of axes affects the cycle time of the PLC program; selection guide via the TIA Selection Tool or SIZER	Yes; Note: The number of axes affects the cycle time of the PLC program; selection guide via the TIA Selection Tool or SIZER
• Number of available motion control resources for technology objects (except cam disks)	800	800
• Required motion control resources		
- per speed-controlled axis	40	40
- per positioning axis	80	80
- per synchronous axis	160	160
- per external encoder	80	80
- per output cam	20	20
- per cam track	160	160
- per probe	40	40
Controller		
• PID_Compact	Yes; Universal PID controller with integrated optimization	Yes; Universal PID controller with integrated optimization
• PID_3Step	Yes; PID controller with integrated optimization for valves	Yes; PID controller with integrated optimization for valves
• PID-Temp	Yes; PID controller with integrated optimization for temperature	Yes; PID controller with integrated optimization for temperature
Counting and measuring		
• High-speed counter	Yes	Yes
Ambient conditions		
Ambient temperature during operation		
• horizontal installation, min.	0 °C	0 °C
• horizontal installation, max.	60 °C; Note derating data for onboard I/O in the manual. Display: 50 °C, at an operating temperature of typically 50 °C, the display is switched off	60 °C; Note derating data for onboard I/O in the manual. Display: 50 °C, at an operating temperature of typically 50 °C, the display is switched off
• vertical installation, min.	0 °C	0 °C
• vertical installation, max.	40 °C; Note derating data for onboard I/O in the manual. Display: 40 °C, at an operating temperature of typically 40 °C, the display is switched off	40 °C; Note derating data for onboard I/O in the manual. Display: 40 °C, at an operating temperature of typically 40 °C, the display is switched off
Altitude during operation relating to sea level		
• Installation altitude above sea level, max.	5 000 m; Restrictions for installation altitudes > 2 000 m, see manual	5 000 m; Restrictions for installation altitudes > 2 000 m, see manual

Technical specifications (continued)

Article number	6ES7511-1CK01-0AB0	6ES7512-1CK01-0AB0
	CPU 1511C-1 PN, 175 KB Prog, 1 MB data	CPU 1512C-1 PN, 250 KB Prog, 1 MB data
Configuration		
Programming		
Programming language		
- LAD	Yes	Yes
- FBD	Yes	Yes
- STL	Yes	Yes
- SCL	Yes	Yes
- GRAPH	Yes	Yes
Know-how protection		
• User program protection/password protection	Yes	Yes
• Copy protection	Yes	Yes
• Block protection	Yes	Yes
Access protection		
• Password for display	Yes	Yes
• Protection level: Write protection	Yes	Yes
• Protection level: Read/write protection	Yes	Yes
• Protection level: Complete protection	Yes	Yes
Dimensions		
Width	85 mm	110 mm
Height	147 mm	147 mm
Depth	129 mm	129 mm
Weights		
Weight, approx.	1 050 g	1 360 g

Ordering data

Article No.	Article No.
CPU 1511C-1 PN 175 KB work memory for program, 1 MB for data, 16 digital inputs, 16 digital outputs, 5 analog inputs, 2 analog outputs, 6 high-speed counters, PROFINET IRT interface with 2-port switch, SIMATIC memory card required	6ES7511-1CK01-0AB0
CPU 1512C-1 PN 250 KB work memory for program, 1 MB for data, 32 digital inputs, 32 digital outputs, 5 analog inputs, 2 analog outputs, 6 high-speed counters, PROFINET IRT interface with 2-port switch, SIMATIC memory card required	6ES7512-1CK01-0AB0
Accessories	
SIMATIC memory card	
4 MB	6ES7954-8LC03-0AA0
12 MB	6ES7954-8LE03-0AA0
24 MB	6ES7954-8LF03-0AA0
256 MB	6ES7954-8LL03-0AA0
2 GB	6ES7954-8LP02-0AA0
32 GB	6ES7954-8LT03-0AA0
Front connectors For 25 mm modules; including cable ties and individual labeling strips; push-in terminal 40-pin; spare part	6ES7592-1BM00-0XA0
Shielding set I/O For 25 mm modules; infed element, shield bracket, and shield terminal; 4 units, spare part (one shield set supplied with the module).	6ES7590-5CA10-0XA0
Shield terminal element 10 units; spare part	6ES7590-5BA00-0AA0
SIMATIC S7-1500 DIN rail Fixed lengths, with grounding elements • 160 mm • 245 mm • 482 mm • 530 mm • 830 mm For cutting to length by customer, without drill holes; grounding elements must be ordered separately • 2 000 mm	6ES7590-1AB60-0AA0 6ES7590-1AC40-0AA0 6ES7590-1AE80-0AA0 6ES7590-1AF30-0AA0 6ES7590-1AJ30-0AA0
PE connection element for DIN rail 2 000 mm 20 units	6ES7590-1BC00-0AA0
Power supply For supplying the backplane bus of the S7-1500 controller 24 V DC input voltage, power 25 W 24/48/60 V DC input voltage, power 60 W 24/48/60 V DC input voltage, power 60 W, buffering functionality 120/230 V AC input voltage, power 60 W	6ES7505-0KA00-0AB0 6ES7505-0RA00-0AB0 6ES7505-0RB00-0AB0 6ES7507-0RA00-0AB0

SIMATIC S7-1500 Advanced Controllers

Central processing units

Compact CPUs

4

Ordering data	Article No.	Ordering data	Article No.
Power connector With coding element for power supply module; spare part, 10 units	6ES7590-8AA00-0AA0	SIMATIC S7-1500 Starter Kit Comprising: CPU 1511C-1 PN, SIMATIC memory card 4 MB, 160 mm DIN rail, front connector, STEP 7 Professional 365-day license, SIMATIC ProDiag 1500, SIMATIC OPC UA S7-1500 Small, PM 1507 24 V/3 A power supply, Ethernet cable, documentation	6ES7511-1CK02-4YB5
Load power supply 24 V DC/3 A 24 V DC/8 A	6EP1332-4BA00 6EP1333-4BA00	STEP 7 Professional V15.1 Target system: SIMATIC S7-1200, S7-1500, S7-300, S7-400, WinAC Requirement: Windows 7 Home Premium SP1 (64-bit) Windows 7 Professional SP1 (64-bit) Windows 7 Enterprise SP1 (64-bit) Windows 7 Ultimate SP1 (64-bit) Windows 10 Home Version 1709, 1803 Windows 10 Professional Version 1709, 1803 Windows 10 Enterprise Version 1709, 1803 Windows 10 Enterprise 2016 LTSC Windows 10 IoT Enterprise 2015 LTSC Windows 10 IoT Enterprise 2016 LTSC Windows Server 2012 R2 StdE (full installation) Windows Server 2016 Standard (full installation) Type of delivery: en, de, fr, it, es, zh	
Power supply connector Spare part; for connecting the 24 V DC supply voltage • With push-in terminals	6ES7193-4JB00-0AA0	STEP 7 Professional V15.1, floating license STEP 7 Professional V15.1, floating license, software download incl. license key ¹⁾ Email address required for delivery	6ES7822-1AA05-0YA5 6ES7822-1AE05-0YA5
IE FC RJ45 plugs RJ45 plug connector for Industrial Ethernet with a rugged metal enclosure and integrated insulation displacement contacts for connecting Industrial Ethernet FC installation cables		SIMATIC Manual Collection Electronic manuals on DVD, multi-language: LOGO!, SIMADYN, SIMATIC bus components, SIMATIC C7, SIMATIC Distributed I/O, SIMATIC HMI, SIMATIC sensors, SIMATIC NET, SIMATIC PC-based Automation, SIMATIC PCS 7, SIMATIC PG/PC, SIMATIC S7, SIMATIC Software, SIMATIC TDC	6ES7998-8XC01-8YE0
IE FC RJ45 plug 180 180° cable outlet 1 unit 10 units 50 units	6GK1901-1BB10-2AA0 6GK1901-1BB10-2AB0 6GK1901-1BB10-2AE0	SIMATIC Manual Collection update service for 1 year	6ES7998-8XC01-8YE2
IE FC TP Standard Cable GP 2x2 4-wire, shielded TP installation cable for connection to IE FC RJ45 outlet/IE FC RJ45 plug; PROFINET-compatible; with UL approval; sold by the meter; max. delivery unit 1 000 m, minimum order quantity 20 m	6XV1840-2AH10		
IE FC TP Trailing Cable 2 x 2 (Type C) 4-wire, shielded TP installation cable for connection to IE FC RJ45 outlet/IE FC RJ45 plug 180/90 for use as trailing cable; PROFINET-compatible; with UL approval; sold by the meter; max. delivery unit 1 000 m, minimum order quantity 20 m	6XV1840-3AH10		
IE FC TP Marine Cable 2 x 2 (Type B) 4-wire, shielded TP installation cable for connection to IE FC RJ45 outlet/IE FC RJ45 plug 180/90 with marine approval; sold by the meter; max. delivery unit 1 000 m, minimum order quantity 20 m	6XV1840-4AH10		
IE FC stripping tool Preadjusted stripping tool for fast stripping of Industrial Ethernet FC cables	6GK1901-1GA00		
Display For CPU 1511(F), CPU 1511C, CPU 1512C, CPU 1513(F); spare part	6ES7591-1AA01-0AA0		

¹⁾ For up-to-date information and download availability, see: <http://www.siemens.com/tia-online-software-delivery>

Overview CPU 1511F-1 PN



- Entry-level CPU in the S7-1500F Controller product range
- Can be used for safety functions up to SIL 3 according to IEC 61508 and up to PLe according to ISO 13849
- Suitable for standard and fail-safe applications with medium requirements for program scope and processing speed
- Used as central controller in production lines with central and distributed I/O
- Supports PROFIsafe in centralized and distributed configuration
- PROFINET IO IRT interface with 2-port switch
- PROFINET IO controller for operating distributed I/O on PROFINET
- PROFINET I-Device for connecting the CPU as an intelligent PROFINET device under a SIMATIC or non-Siemens PROFINET I/O controller
- Isochronous mode

Note:

SIMATIC Memory Card required for operation of the CPU.

Overview CPU 1513F-1 PN



- The CPU for standard and fail-safe applications with medium/high requirements for program/data storage in the S7-1500 controller product range
- Can be used for safety functions up to SIL 3 according to IEC 61508 and up to PLe according to ISO 13849
- High processing speed for binary and floating-point arithmetic
- Used as central controller in production lines with central and distributed I/O
- Supports PROFIsafe in centralized and distributed configuration
- PROFINET IO IRT interface with 2-port switch
- PROFINET IO controller for operating distributed I/O on PROFINET
- PROFINET I-Device for connecting the CPU as an intelligent PROFINET device under a SIMATIC or non-Siemens PROFINET I/O controller
- Isochronous mode

Note:

SIMATIC Memory Card required for operation of the CPU.

SIMATIC S7-1500 Advanced Controllers

Central processing units

Fail-safe CPUs

Overview CPU 1515F-2 PN



- The CPU for applications with medium to high requirements for program/data storage in the S7-1500 controller product range
- Can be used for failsafe functions up to SIL 3 according to IEC 61508 and up to PLe according to ISO 13849.
- Medium to high processing speed for binary and floating-point arithmetic
- Used as central controller in production lines with central and distributed I/O
- Supports PROFIsafe in centralized and distributed configurations
- PROFINET IO IRT interface with 2-port switch
- Additional PROFINET interface with separate IP address
- PROFINET IO controller for operating distributed I/O on PROFINET
- PROFINET I-Device for connecting the CPU as an intelligent PROFINET device under a SIMATIC or non-Siemens PROFINET I/O controller
- Isochronous mode
- Integrated motion control functionalities for controlling speed-controlled and positioning axes, support for external encoders
- Integrated web server with the option of creating user-defined web pages

Note:

SIMATIC Memory Card required for operation of the CPU.

Overview CPU 1516F-3 PN/DP



- The CPU with a large program and data memory in the S7-1500 controller product range for failsafe applications with high requirements regarding program scope and networking.
- Can be used for failsafe functions up to SIL 3 according to IEC 61508 and up to PLe according to ISO 13849.
- High processing speed for binary and floating-point arithmetic
- Used as central controller in production lines with central and distributed I/O.
- Supports PROFIsafe in centralized and distributed configuration.
- PROFINET IO IRT interface with 2-port switch.
- Additional PROFINET interface with separate IP address.
- PROFINET IO controller for operating distributed I/O on PROFINET.
- PROFINET I-Device for connecting the CPU as an intelligent PROFINET device under a SIMATIC or non-Siemens PROFINET I/O controller.
- PROFIBUS DP master interface.
- Isochronous mode on PROFIBUS and PROFINET.
- Integrated motion control functionalities for controlling speed-controlled and positioning axes, support for external encoders.
- Integrated Web server with the option of creating user-defined Web pages.

Note:

SIMATIC Memory Card required for operation of the CPU.

Overview CPU 1517F-3 PN/DP



- The CPU with a very large program and data memory in the S7-1500 controller product range for failsafe applications with high requirements regarding program scope and networking.
- Can be used for failsafe functions up to SIL 3 according to IEC 61508 and up to PLe according to ISO 13849.
- High processing speed for binary and floating-point arithmetic
- For cross-industry automation tasks in series machine, special machine and plant construction
- Used as central controller in production lines with central and distributed I/O
- Supports PROFIsafe in centralized and distributed configurations
- PROFINET IO IRT interface with 2-port switch
- Additional PROFINET interface with separate IP address
- PROFINET IO controller for operating distributed I/O on PROFINET.
- PROFINET I-Device for connecting the CPU as an intelligent PROFINET device under a SIMATIC or non-Siemens PROFINET IO controller.
- PROFIBUS DP master interface
- Isochronous mode on PROFIBUS and PROFINET
- Integrated motion control functionalities for controlling speed-controlled and positioning axes, support for external encoders, positionally precise gearing between axes
- Integrated web server with the option of creating user-defined web pages

Note:

SIMATIC Memory Card required for operation of the CPU.

Overview CPU 1518F-4 PN/DP



- The CPU with a very large program and data memory in the S7-1500 controller product range for failsafe applications with highest requirements regarding program scope and networking.
- Can be used for failsafe functions up to SIL 3 according to IEC 61508 and up to PLe according to ISO 13849.
- Extremely high processing speed for binary and floating-point arithmetic.
- For cross-industry automation tasks in series machine, special machine and plant construction
- Used as central controller in production lines with central and distributed I/O.
- Supports PROFIsafe in centralized and distributed configuration.
- PROFINET IO IRT interface with 2-port switch.
- Two additional PROFINET interfaces with separate IP addresses.
- PROFINET IO controller for operating distributed I/O on PROFINET.
- PROFINET I-Device for connecting the CPU as an intelligent PROFINET device under a SIMATIC or non-Siemens PROFINET IO controller.
- PROFIBUS DP master interface.
- Isochronous mode on PROFIBUS and PROFINET.
- Integrated motion control functionalities for controlling speed-controlled and positioning axes, support for external encoders
- Integrated Web server with the option of creating user-defined Web pages.

Note:

SIMATIC memory card required for operation of the CPU.

SIMATIC S7-1500 Advanced Controllers

Central processing units

Fail-safe CPUs

Overview CPU 1518F-4 PN/DP MFP



4

- CPU with an extremely large program and data memory in the S7-1500 controller product range for demanding standard and fail-safe applications with demanding requirements regarding program scope, performance and networking
- Can be used for safety functions up to SIL 3 according to IEC 61508 and up to PLe according to ISO 13849
- Extremely high processing speed for binary and floating-point arithmetic
- For cross-industry automation tasks in series machines, special machines and plant construction
- C/C++ functions can be called and executed in the CPU runtime.
- In parallel to the CPU runtime, there is an additional C/C++ Runtime, in which call-independent, i.e. stand-alone, C/C++ applications can be executed.
- Used as central controller in production lines with central and distributed I/O
- Supports PROFIsafe in centralized and distributed configurations
- PROFINET IO IRT interface with 2-port switch
- PROFINET IO controller for operating distributed I/O on PROFINET
- PROFINET I-Device for connecting the CPU as an intelligent PROFINET device under a SIMATIC or non-Siemens PROFINET IO controller
- Two additional PROFINET interfaces with separate IP addresses for network separation:
The PROFINET interface X2 can be used for connecting additional PROFINET IO RT devices or for fast communication as an I-Device. The PROFINET interface X3 facilitates data transfer at a speed of 1 Gbps.
- PROFIBUS DP master interface
- OPC UA server (data access) as runtime option for easy connection of the SIMATIC S7-1500 to third-party devices/ systems
- Isochronous mode on PROFIBUS and PROFINET
- Integrated motion control functionalities for controlling speed-controlled and positioning axes, support for external encoders, gearing between axes, output cams/cam tracks and probes
- Integrated web server for diagnostics with the option of creating user-defined web pages

Multi-functional platform

With the multi-functional platform (MFP), more functionality can be accommodated in a module. The computing power of the CPU 1518F-4 PN/DP MFP allows the merging of previously separate applications on a common platform while continuing to meet the high S7-1500 demands with regard to maintenance and ruggedness.

This means that, in addition to the control function, it is also possible to process typical PC applications on the multi-functional platform, e.g. tasks that:

- require high-level language programming,
- are developed based on models, or
- have to be solved via databases.

Besides the option of running C/C++ code in the standard STEP 7 program, the multi-functional platform CPU 1518F-4 PN/DP MFP thus provides an additional second independent runtime environment which facilitates execution of C/C++ applications in parallel to the STEP 7 program if required.

Control-independent applications, e.g. protocol converters, database applications and others, can be created in C/C++. This simplifies the creation or reuse of customer-specific, high-level language applications.

The CPU 1518F-4 PN/DP MFP has the quantity structure and functionality of a CPU 1518F-4 PN/DP with regard to the control part. In addition to the user program created with STEP 7 in the TIA Portal, C/C++ functions formulated via the SIMATIC ODK 1500S can be integrated into the standard user program. By using SIMATIC ODK 1500S (ODK - Open Development Kit), higher-level programming language mechanisms, such as object orientation, can also be utilized. Furthermore, with the SIMATIC Target 1500S™ engineering package for Simulink®, it is also possible to integrate complex Simulink models to take advantage of the model-based development using MATLAB and Simulink®.

Note:

SIMATIC memory card required for operation of the CPU.

SIMATIC S7-1500 Advanced Controllers

Central processing units

Fail-safe CPUs

Technical specifications

Article number	6ES7511-1FK02-0AB0 CPU 1511F-1PN, 225KB prog, 1MB data	6ES7513-1FL02-0AB0 CPU 1513F-1 PN, 450KB prog., 1.5MB data	6ES7515-2FM01-0AB0 CPU 1515F-2 PN, 750KB prog., 3MB data	6ES7516-3FN01-0AB0 CPU 1516F-3 PN/DP, 1,5MB prog, 5MB data
General information				
Product type designation	CPU 1511F-1 PN	CPU 1513F-1 PN	CPU 1515F-2 PN	CPU 1516F-3 PN/DP
Engineering with				
• STEP 7 TIA Portal configurable/ integrated as of version	V15.1 (FW V2.6) / V15 (FW V2.5) or higher; with older TIA Portal versions configurable as 6ES7511-1FK01-0AB0	V15.1 (FW V2.6) / V15 (FW V2.5) or higher; with older TIA Portal versions configurable as 6ES7513-1FL01-0AB0	V15 (FW V2.5) / V13 SP1 Update 4 (FW V1.8) or higher	V15.1 (FW V2.6)/V13 SP1 Update 4 (FW V1.8) or higher
Display				
Screen diagonal [cm]	3.45 cm	3.45 cm	6.1 cm	6.1 cm
Supply voltage				
Type of supply voltage	24 V DC	24 V DC	24 V DC	24 V DC
Memory				
Work memory				
• integrated (for program)	225 kbyte	450 kbyte	750 kbyte	1.5 Mbyte
• integrated (for data)	1 Mbyte	1.5 Mbyte	3 Mbyte	5 Mbyte
Load memory				
• Plug-in (SIMATIC memory card), max.	32 Gbyte	32 Gbyte	32 Gbyte	32 Gbyte
CPU processing times				
for bit operations, typ.	60 ns	40 ns	30 ns	10 ns
for word operations, typ.	72 ns	48 ns	36 ns	12 ns
for fixed point arithmetic, typ.	96 ns	64 ns	48 ns	16 ns
for floating point arithmetic, typ.	384 ns	256 ns	192 ns	64 ns
Counters, timers and their retentivity				
S7 counter				
• Number	2 048	2 048	2 048	2 048
IEC counter				
• Number	Any (only limited by the main memory)	Any (only limited by the main memory)	Any (only limited by the main memory)	Any (only limited by the main memory)
S7 times				
• Number	2 048	2 048	2 048	2 048
IEC timer				
• Number	Any (only limited by the main memory)	Any (only limited by the main memory)	Any (only limited by the main memory)	Any (only limited by the main memory)
Data areas and their retentivity				
Flag				
• Number, max.	16 kbyte	16 kbyte	16 kbyte	16 kbyte
Address area				
I/O address area				
• Inputs	32 kbyte; All inputs are in the process image	32 kbyte; All inputs are in the process image	32 kbyte; All inputs are in the process image	32 kbyte; All inputs are in the process image
• Outputs	32 kbyte; All outputs are in the process image	32 kbyte; All outputs are in the process image	32 kbyte; All outputs are in the process image	32 kbyte; All outputs are in the process image
Time of day				
Clock				
• Type	Hardware clock	Hardware clock	Hardware clock	Hardware clock

4

SIMATIC S7-1500 Advanced Controllers

Central processing units

Fail-safe CPUs

Technical specifications (continued)

Article number	6ES7511-1FK02-0AB0 CPU 1511F-1PN, 225KB prog., 1MB data	6ES7513-1FL02-0AB0 CPU 1513F-1 PN, 450KB prog., 1.5MB data	6ES7515-2FM01-0AB0 CPU 1515F-2 PN, 750KB prog., 3MB data	6ES7516-3FN01-0AB0 CPU 1516F-3 PN/DP, 1,5MB prog., 5MB data
1. Interface				
Interface types				
• Number of ports	2	2	2	2
• integrated switch	Yes	Yes	Yes	Yes
• RJ 45 (Ethernet)	Yes; X1	Yes; X1	Yes; X1	Yes; X1
Protocols				
• IP protocol	Yes; IPv4	Yes; IPv4	Yes; IPv4	Yes; IPv4
• PROFINET IO controller	Yes	Yes	Yes	Yes
• PROFINET IO Device	Yes	Yes	Yes	Yes
• SIMATIC communication	Yes	Yes	Yes	Yes
• Open IE communication	Yes	Yes	Yes	Yes
• Web server	Yes	Yes	Yes	Yes
• Media redundancy	Yes; MRP Automanager according to IEC 62439-2 Edition 2.0	Yes; MRP Automanager according to IEC 62439-2 Edition 2.0	Yes; MRP Automanager according to IEC 62439-2 Edition 2.0	Yes; MRP Automanager according to IEC 62439-2 Edition 2.0
PROFINET IO controller				
Services				
- PG/OP communication	Yes	Yes	Yes	Yes
- S7 routing	Yes	Yes	Yes	Yes
- Isochronous mode	Yes	Yes	Yes	Yes
- Open IE communication	Yes	Yes	Yes	Yes
- IRT	Yes	Yes	Yes	Yes
- MRP	Yes; As MRP redundancy manager and/or MRP client; max. number of devices in the ring: 50	Yes; As MRP redundancy manager and/or MRP client; max. number of devices in the ring: 50	Yes; As MRP redundancy manager and/or MRP client; max. number of devices in the ring: 50	Yes; As MRP redundancy manager and/or MRP client; max. number of devices in the ring: 50
- MRPD	Yes; Requirement: IRT	Yes; Requirement: IRT	Yes; Requirement: IRT	Yes; Requirement: IRT
- PROFIenergy	Yes	Yes	Yes	Yes
- Prioritized startup	Yes; Max. 32 PROFINET devices	Yes; Max. 32 PROFINET devices	Yes; Max. 32 PROFINET devices	Yes; Max. 32 PROFINET devices
- Number of connectable IO Devices, max.	128; In total, up to 256 distributed I/O devices can be connected via AS-i, PROFIBUS or PROFINET	128; In total, up to 512 distributed I/O devices can be connected via AS-i, PROFIBUS or PROFINET	256; In total, up to 1 000 distributed I/O devices can be connected via AS-i, PROFIBUS or PROFINET	256; In total, up to 1 000 distributed I/O devices can be connected via AS-i, PROFIBUS or PROFINET
- Of which IO devices with IRT, max.	64	64	64	64
- Number of connectable IO Devices for RT, max.	128	128	256	256
- of which in line, max.	128	128	256	256
- Number of IO Devices that can be simultaneously activated/deactivated, max.	8; in total across all interfaces	8; in total across all interfaces	8; in total across all interfaces	8; in total across all interfaces
- Number of IO Devices per tool, max.	8	8	8	8
- Updating times	The minimum value of the update time also depends on communication share set for PROFINET IO, on the number of IO devices, and on the quantity of configured user data	The minimum value of the update time also depends on communication share set for PROFINET IO, on the number of IO devices, and on the quantity of configured user data	The minimum value of the update time also depends on communication share set for PROFINET IO, on the number of IO devices, and on the quantity of configured user data	The minimum value of the update time also depends on communication share set for PROFINET IO, on the number of IO devices, and on the quantity of configured user data

Technical specifications (continued)

Article number	6ES7511-1FK02-0AB0 CPU 1511F-1PN, 225KB prog., 1MB data	6ES7513-1FL02-0AB0 CPU 1513F-1 PN, 450KB prog., 1.5MB data	6ES7515-2FM01-0AB0 CPU 1515F-2 PN, 750KB prog., 3MB data	6ES7516-3FN01-0AB0 CPU 1516F-3 PN/DP, 1,5MB prog., 5MB data
Update time for IRT				
- for send cycle of 250 µs	250 µs to 4 ms; Note: In the case of IRT with isochronous mode, the minimum update time of 625 µs of the isochronous OB is decisive	250 µs to 4 ms; Note: In the case of IRT with isochronous mode, the minimum update time of 500 µs of the isochronous OB is decisive	250 µs to 4 ms; Note: In the case of IRT with isochronous mode, the minimum update time of 500 µs of the isochronous OB is decisive	250 µs to 4 ms; Note: In the case of IRT with isochronous mode, the minimum update time of 375 µs of the isochronous OB is decisive
- for send cycle of 500 µs	500 µs to 8 ms; Note: In the case of IRT with isochronous mode, the minimum update time of 625 µs of the isochronous OB is decisive	500 µs to 8 ms	500 µs to 8 ms	500 µs to 8 ms
- for send cycle of 1 ms	1 ms to 16 ms	1 ms to 16 ms	1 ms to 16 ms	1 ms to 16 ms
- for send cycle of 2 ms	2 ms to 32 ms	2 ms to 32 ms	2 ms to 32 ms	2 ms to 32 ms
- for send cycle of 4 ms	4 ms to 64 ms	4 ms to 64 ms	4 ms to 64 ms	4 ms to 64 ms
- With IRT and parameterization of "odd" send cycles	Update time = set "odd" send clock (any multiple of 125 µs: 375 µs, 625 µs ... 3 875 µs)	Update time = set "odd" send clock (any multiple of 125 µs: 375 µs, 625 µs ... 3 875 µs)	Update time = set "odd" send clock (any multiple of 125 µs: 375 µs, 625 µs ... 3 875 µs)	Update time = set "odd" send clock (any multiple of 125 µs: 375 µs, 625 µs ... 3 875 µs)
Update time for RT				
- for send cycle of 250 µs	250 µs to 128 ms	250 µs to 128 ms	250 µs to 128 ms	250 µs to 128 ms
- for send cycle of 500 µs	500 µs to 256 ms	500 µs to 256 ms	500 µs to 256 ms	500 µs to 256 ms
- for send cycle of 1 ms	1 ms to 512 ms	1 ms to 512 ms	1 ms to 512 ms	1 ms to 512 ms
- for send cycle of 2 ms	2 ms to 512 ms	2 ms to 512 ms	2 ms to 512 ms	2 ms to 512 ms
- for send cycle of 4 ms	4 ms to 512 ms	4 ms to 512 ms	4 ms to 512 ms	4 ms to 512 ms
PROFINET IO Device				
Services				
- PG/OP communication	Yes	Yes	Yes	Yes
- S7 routing	Yes	Yes	Yes	Yes
- Isochronous mode	No	No	No	No
- Open IE communication	Yes	Yes	Yes	Yes
- IRT	Yes	Yes	Yes	Yes
- MRP	Yes; As MRP redundancy manager and/or MRP client; max. number of devices in the ring: 50	Yes; As MRP redundancy manager and/or MRP client; max. number of devices in the ring: 50	Yes	Yes; As MRP redundancy manager and/or MRP client; max. number of devices in the ring: 50
- MRPD	Yes; Requirement: IRT	Yes; Requirement: IRT	Yes; Requirement: IRT	Yes; Requirement: IRT
- PROFINergy	Yes	Yes	Yes	Yes
- Shared device	Yes	Yes	Yes	Yes
- Number of IO controllers with shared device, max.	4	4	4	4
- Asset management record	Yes; Per user program	Yes; Per user program	Yes; Per user program	Yes; Per user program
2. Interface				
Interface types				
• Number of ports			1	1
• integrated switch			No	No
• RJ 45 (Ethernet)			Yes; X2	Yes; X2
Protocols				
• IP protocol			Yes; IPv4	Yes; IPv4
• PROFINET IO controller			Yes	Yes
• PROFINET IO Device			Yes	Yes
• SIMATIC communication			Yes	Yes
• Open IE communication			Yes	Yes
• Web server			Yes	Yes
• Media redundancy			No	No

SIMATIC S7-1500 Advanced Controllers

Central processing units

Fail-safe CPUs

Technical specifications (continued)

Article number	6ES7511-1FK02-0AB0 CPU 1511F-1PN, 225KB prog., 1MB data	6ES7513-1FL02-0AB0 CPU 1513F-1 PN, 450KB prog., 1.5MB data	6ES7515-2FM01-0AB0 CPU 1515F-2 PN, 750KB prog., 3MB data	6ES7516-3FN01-0AB0 CPU 1516F-3 PN/DP, 1,5MB prog., 5MB data
PROFINET IO controller				
Services				
- PG/OP communication			Yes	Yes
- S7 routing			Yes	Yes
- Isochronous mode			No	No
- Open IE communication			Yes	Yes
- IRT			No	No
- MRP			No	No
- MRPD			No	No
- PROFlenergy			Yes	Yes
- Prioritized startup			No	No
- Number of connectable IO Devices, max.			32; In total, up to 1 000 distributed I/O devices can be connected via AS-I, PROFIBUS or PROFINET	32; In total, up to 1 000 distributed I/O devices can be connected via AS-I, PROFIBUS or PROFINET
- Number of connectable IO Devices for RT, max.			32	32
- of which in line, max.			32	32
- Number of IO Devices that can be simultaneously activated/deactivated, max.			8; in total across all interfaces	8; in total across all interfaces
- Number of IO Devices per tool, max.			8	8
- Updating times			The minimum value of the update time also depends on communication share set for PROFINET IO, on the number of IO devices, and on the quantity of configured user data	The minimum value of the update time also depends on communication share set for PROFINET IO, on the number of IO devices, and on the quantity of configured user data
Update time for RT				
- for send cycle of 1 ms			1 ms to 512 ms	1 ms to 512 ms
PROFINET IO Device				
Services				
- PG/OP communication			Yes	Yes
- S7 routing			Yes	Yes
- Isochronous mode			No	No
- Open IE communication			Yes	Yes
- IRT			No	No
- MRP			No	No
- MRPD			No	No
- PROFlenergy			Yes	Yes
- Prioritized startup			No	No
- Shared device			Yes	Yes
- Number of IO controllers with shared device, max.			4	4
- Asset management record			Yes; Per user program	Yes; Per user program
3. Interface				
Interface types				
• Number of ports				1
• RS 485				Yes; X3
Protocols				
• PROFIBUS DP master				Yes
• PROFIBUS DP slave				No
• SIMATIC communication				Yes

Technical specifications (continued)

Article number	6ES7511-1FK02-0AB0 CPU 1511F-1PN, 225KB prog, 1MB data	6ES7513-1FL02-0AB0 CPU 1513F-1 PN, 450KB prog., 1.5MB data	6ES7515-2FM01-0AB0 CPU 1515F-2 PN, 750KB prog., 3MB data	6ES7516-3FN01-0AB0 CPU 1516F-3 PN/DP, 1,5MB prog, 5MB data
Protocols				
Number of connections				
• Number of connections, max.	96; via integrated interfaces of the CPU and connected CPs / CMs	128; via integrated interfaces of the CPU and connected CPs / CMs	192; via integrated interfaces of the CPU and connected CPs / CMs	256; via integrated interfaces of the CPU and connected CPs / CMs
PROFINET IO controller				
Services				
- Number of connectable IO Devices, max.	128; In total, up to 512 distributed I/O devices can be connected via AS-i, PROFIBUS or PROFINET			
- Of which IO devices with IRT, max.	64			
- Number of connectable IO Devices for RT, max.	128			
PROFIBUS DP master				
Services				
- Number of DP slaves				125; In total, up to 1 000 distributed I/O devices can be connected via AS-i, PROFIBUS or PROFINET
OPC UA				
• OPC UA client	Yes	Yes		Yes
• OPC UA server	Yes; Data access (read, write, subscribe), method call, custom address space	Yes; Data access (read, write, subscribe), method call, custom address space	Yes; Data access (read, write, subscribe), method call, custom address space	Yes; Data access (read, write, subscribe), method call, custom address space
Isochronous mode				
Isochronous operation (application synchronized up to terminal)	Yes; Distributed and central; with minimum OB 6x cycle of 625 µs (distributed) and 1 ms (central)	Yes; With minimum OB 6x cycle of 500 µs	Yes; With minimum OB 6x cycle of 500 µs	Yes; Distributed and central; with minimum OB 6x cycle of 375 µs (distributed) and 1 ms (central)
Supported technology objects				
Motion control	Yes; Note: The number of axes affects the cycle time of the PLC program; selection guide via the TIA Selection Tool or SIZER	Yes; Note: The number of axes affects the cycle time of the PLC program; selection guide via the TIA Selection Tool or SIZER	Yes; Note: The number of axes affects the cycle time of the PLC program; selection guide via the TIA Selection Tool or SIZER	Yes; Note: The number of axes affects the cycle time of the PLC program; selection guide via the TIA Selection Tool or SIZER
• Number of available motion control resources for technology objects (except cam disks)	800	800	2 400	2 400
• Required motion control resources				
- per speed-controlled axis	40	40	40	40
- per positioning axis	80	80	80	80
- per synchronous axis	160	160	160	160
- per external encoder	80	80	80	80
- per output cam	20	20	20	20
- per cam track	160	160	160	160
- per probe	40	40	40	40
Controller				
• PID_Compact	Yes; Universal PID controller with integrated optimization	Yes; Universal PID controller with integrated optimization	Yes; Universal PID controller with integrated optimization	Yes; Universal PID controller with integrated optimization
• PID_3Step	Yes; PID controller with integrated optimization for valves	Yes; PID controller with integrated optimization for valves	Yes; PID controller with integrated optimization for valves	Yes; PID controller with integrated optimization for valves
• PID-Temp	Yes; PID controller with integrated optimization for temperature	Yes; PID controller with integrated optimization for temperature	Yes; PID controller with integrated optimization for temperature	Yes; PID controller with integrated optimization for temperature
Counting and measuring				
• High-speed counter	Yes	Yes	Yes	Yes

SIMATIC S7-1500 Advanced Controllers

Central processing units

Fail-safe CPUs

Technical specifications (continued)

Article number	6ES7511-1FK02-0AB0 CPU 1511F-1PN, 225KB prog., 1MB data	6ES7513-1FL02-0AB0 CPU 1513F-1 PN, 450KB prog., 1.5MB data	6ES7515-2FM01-0AB0 CPU 1515F-2 PN, 750KB prog., 3MB data	6ES7516-3FN01-0AB0 CPU 1516F-3 PN/DP, 1,5MB prog., 5MB data
Standards, approvals, certificates				
Highest safety class achievable in safety mode				
• Performance level according to ISO 13849-1	PLe	PLe	PLe	PLe
• SIL acc. to IEC 61508	SIL 3	SIL 3	SIL 3	SIL 3
Probability of failure (for service life of 20 years and repair time of 100 hours)				
- Low demand mode: PFDavg in accordance with SIL3	< 2.00E-05	< 2.00E-05	< 2.00E-05	< 2.00E-05
- High demand/continuous mode: PFH in accordance with SIL3	< 1.00E-09	< 1.00E-09	< 1.00E-09	< 1.00E-09
Ambient conditions				
Ambient temperature during operation				
• horizontal installation, min.	0 °C	0 °C	0 °C	0 °C
• horizontal installation, max.	60 °C; Display: 50 °C, at an operating temperature of typically 50 °C, the display is switched off	60 °C; Display: 50 °C, at an operating temperature of typically 50 °C, the display is switched off	60 °C; Display: 50 °C, at an operating temperature of typically 50 °C, the display is switched off	60 °C; Display: 50 °C, at an operating temperature of typically 50 °C, the display is switched off
• vertical installation, min.	0 °C	0 °C	0 °C	0 °C
• vertical installation, max.	40 °C; Display: 40 °C, at an operating temperature of typically 40 °C, the display is switched off	40 °C; Display: 40 °C, at an operating temperature of typically 40 °C, the display is switched off	40 °C; Display: 40 °C, at an operating temperature of typically 40 °C, the display is switched off	40 °C; Display: 40 °C, at an operating temperature of typically 40 °C, the display is switched off
Altitude during operation relating to sea level				
• Installation altitude above sea level, max.	5 000 m; Restrictions for installation altitudes > 2 000 m, see manual	5 000 m; Restrictions for installation altitudes > 2 000 m, see manual	5 000 m; Restrictions for installation altitudes > 2 000 m, see manual	5 000 m; Restrictions for installation altitudes > 2 000 m, see manual
Configuration				
Programming				
Programming language				
- LAD	Yes; incl. failsafe	Yes; incl. failsafe	Yes; incl. failsafe	Yes; incl. failsafe
- FBD	Yes; incl. failsafe	Yes; incl. failsafe	Yes; incl. failsafe	Yes; incl. failsafe
- STL	Yes	Yes	Yes	Yes
- SCL	Yes	Yes	Yes	Yes
- GRAPH	Yes	Yes	Yes	Yes
Know-how protection				
• User program protection/ password protection	Yes	Yes	Yes	Yes
• Copy protection	Yes	Yes	Yes	Yes
• Block protection	Yes	Yes	Yes	Yes
Access protection				
• Password for display	Yes	Yes	Yes	Yes
• Protection level: Write protection	Yes; Specific write protection both for Standard and for Failsafe	Yes; Specific write protection both for Standard and for Failsafe	Yes	Yes
• Protection level: Read/write protection	Yes	Yes	Yes	Yes
• Protection level: Complete protection	Yes	Yes	Yes	Yes
Dimensions				
Width	35 mm	35 mm	70 mm	70 mm
Height	147 mm	147 mm	147 mm	147 mm
Depth	129 mm	129 mm	129 mm	129 mm
Weights				
Weight, approx.	430 g	405 g	830 g	845 g

Technical specifications (continued)

Article number	6ES7517-3FP00-0AB0 CPU 1517F-3 PN/DP, 3MB Prog., 8MB data	6ES7518-4FP00-0AB0 CPU 1518F-4 PN/DP, 6 MB Prog, 20MB data	6ES7518-4FX00-1AC0 CPU 1518F-4 PN/DP MFP + C/C++ RT +OPC UA
General information			
Product type designation	CPU 1517F-3PN/DP	CPU 1518F-4PN/DP	CPU 1518F-4 PN/DP MFP
Engineering with			
• STEP 7 TIA Portal configurable/ integrated as of version	V15.1 (FW V2.6) / V13 Update 3 (FW V1.6) or higher	V15.1 (FW V2.6) / V13 (FW V1.5) or higher	V15.1 (FW V2.6) / V15 (FW V2.5) or higher
Display			
Screen diagonal [cm]	6.1 cm	6.1 cm	6.1 cm
Supply voltage			
Type of supply voltage	24 V DC	24 V DC	24 V DC
Memory			
Work memory			
• integrated (for program)	3 Mbyte	6 Mbyte	6 Mbyte
• integrated (for data)	8 Mbyte	20 Mbyte	20 Mbyte
• integrated (for CPU function library of CPU runtime)			50 Mbyte; Note: The "CPU function library of the CPU" are C/C++ blocks for the user program that were created using the SIMATIC ODK 1500S or Target 1500S.
Working memory for additional functions			
• Integrated (for C/C++ Runtime application)			512 Mbyte
Load memory			
• Plug-in (SIMATIC memory card), max.	32 Gbyte	32 Gbyte	32 Gbyte; The memory card must have at least 2 GB of space on it
CPU processing times			
for bit operations, typ.	2 ns	1 ns	1 ns
for word operations, typ.	3 ns	2 ns	2 ns
for fixed point arithmetic, typ.	3 ns	2 ns	2 ns
for floating point arithmetic, typ.	12 ns	6 ns	6 ns
Counters, timers and their retentivity			
S7 counter			
• Number	2 048	2 048	2 048
IEC counter			
• Number	Any (only limited by the main memory)	Any (only limited by the main memory)	Any (only limited by the main memory)
S7 times			
• Number	2 048	2 048	2 048
IEC timer			
• Number	Any (only limited by the main memory)	Any (only limited by the main memory)	Any (only limited by the main memory)
Data areas and their retentivity			
Flag			
• Number, max.	16 kbyte	16 kbyte	16 kbyte
Address area			
I/O address area			
• Inputs	32 kbyte; All inputs are in the process image	32 kbyte; All inputs are in the process image	32 kbyte; All inputs are in the process image
• Outputs	32 kbyte; All outputs are in the process image	32 kbyte; All outputs are in the process image	32 kbyte; All outputs are in the process image
Time of day			
Clock			
• Type	Hardware clock	Hardware clock	Hardware clock

SIMATIC S7-1500 Advanced Controllers

Central processing units

Fail-safe CPUs

Technical specifications (continued)

Article number	6ES7517-3FP00-0AB0 CPU 1517F-3 PN/DP, 3MB Prog., 8MB data	6ES7518-4FP00-0AB0 CPU 1518F-4 PN/DP, 6 MB Prog, 20MB data	6ES7518-4FX00-1AC0 CPU 1518F-4 PN/DP MFP + C/C++ RT +OPC UA
1. Interface			
Interface types			
• Number of ports	2	2	2
• integrated switch	Yes	Yes	Yes
• RJ 45 (Ethernet)	Yes; X1	Yes; X1	Yes; X1
Protocols			
• IP protocol	Yes; IPv4	Yes; IPv4	Yes; IPv4
• PROFINET IO controller	Yes	Yes	Yes
• PROFINET IO Device	Yes	Yes	Yes
• SIMATIC communication	Yes	Yes	Yes
• Open IE communication	Yes	Yes	Yes
• Web server	Yes	Yes	Yes
• Media redundancy	Yes; MRP Automanager according to IEC 62439-2 Edition 2.0	Yes; MRP Automanager according to IEC 62439-2 Edition 2.0	Yes; MRP Automanager according to IEC 62439-2 Edition 2.0
PROFINET IO controller			
Services			
- PG/OP communication	Yes	Yes	Yes
- S7 routing	Yes	Yes	Yes
- Isochronous mode	Yes	Yes	Yes
- Open IE communication	Yes	Yes	Yes
- IRT	Yes	Yes	Yes
- MRP	Yes; As MRP redundancy manager and/or MRP client; max. number of devices in the ring: 50	Yes; As MRP redundancy manager and/or MRP client; max. number of devices in the ring: 50	Yes; As MRP redundancy manager and/or MRP client; max. number of devices in the ring: 50
- MRPD	Yes; Requirement: IRT	Yes; Requirement: IRT	Yes; Requirement: IRT
- PROFinergy	Yes	Yes	Yes
- Prioritized startup	Yes; Max. 32 PROFINET devices	Yes; Max. 32 PROFINET devices	Yes; Max. 32 PROFINET devices
- Number of connectable IO Devices, max.	512; In total, up to 1 000 distributed I/O devices can be connected via AS-i, PROFIBUS or PROFINET	512; In total, up to 1 000 distributed I/O devices can be connected via AS-i, PROFIBUS or PROFINET	512; In total, up to 1 000 distributed I/O devices can be connected via AS-i, PROFIBUS or PROFINET
- Of which IO devices with IRT, max.	64	64	64
- Number of connectable IO Devices for RT, max.	512	512	512
- of which in line, max.	512	512	512
- Number of IO Devices that can be simultaneously activated/deactivated, max.	8; in total across all interfaces	8; in total across all interfaces	8; in total across all interfaces
- Number of IO Devices per tool, max.	8	8	8
- Updating times	The minimum value of the update time also depends on communication share set for PROFINET IO, on the number of IO devices, and on the quantity of configured user data	The minimum value of the update time also depends on communication share set for PROFINET IO, on the number of IO devices, and on the quantity of configured user data	The minimum value of the update time also depends on communication share set for PROFINET IO, on the number of IO devices, and on the quantity of configured user data

Technical specifications (continued)

Article number	6ES7517-3FP00-0AB0 CPU 1517F-3 PN/DP, 3MB Prog., 8MB data	6ES7518-4FP00-0AB0 CPU 1518F-4 PN/DP, 6 MB Prog, 20MB data	6ES7518-4FX00-1AC0 CPU 1518F-4 PN/DP MFP + C/C++ RT +OPC UA
Update time for IRT			
- for send cycle of 125 µs		125 µs	125 µs
- for send cycle of 187.5 µs		187.5 µs	187.5 µs
- for send cycle of 250 µs	250 µs to 4 ms	250 µs to 4 ms	250 µs to 4 ms
- for send cycle of 500 µs	500 µs to 8 ms	500 µs to 8 ms	500 µs to 8 ms
- for send cycle of 1 ms	1 ms to 16 ms	1 ms to 16 ms	1 ms to 16 ms
- for send cycle of 2 ms	2 ms to 32 ms	2 ms to 32 ms	2 ms to 32 ms
- for send cycle of 4 ms	4 ms to 64 ms	4 ms to 64 ms	4 ms to 64 ms
- With IRT and parameterization of "odd" send cycles	Update time = set "odd" send clock (any multiple of 125 µs: 375 µs, 625 µs ... 3 875 µs)	Update time = set "odd" send clock (any multiple of 125 µs: 375 µs, 625 µs ... 3 875 µs)	Update time = set "odd" send clock (any multiple of 125 µs: 375 µs, 625 µs ... 3 875 µs)
Update time for RT			
- for send cycle of 250 µs	250 µs to 128 ms	250 µs to 128 ms	250 µs to 128 ms
- for send cycle of 500 µs	500 µs to 256 ms	500 µs to 256 ms	500 µs to 256 ms
- for send cycle of 1 ms	1 ms to 512 ms	1 ms to 512 ms	1 ms to 512 ms
- for send cycle of 2 ms	2 ms to 512 ms	2 ms to 512 ms	2 ms to 512 ms
- for send cycle of 4 ms	4 ms to 512 ms	4 ms to 512 ms	4 ms to 512 ms
PROFINET IO Device			
Services			
- PG/OP communication	Yes	Yes	Yes
- S7 routing	Yes	Yes	Yes
- Isochronous mode	No	No	No
- Open IE communication	Yes	Yes	Yes
- IRT	Yes	Yes	Yes
- MRP	Yes; As MRP redundancy manager and/or MRP client; max. number of devices in the ring: 50	Yes; As MRP redundancy manager and/or MRP client; max. number of devices in the ring: 50	Yes; As MRP redundancy manager and/or MRP client; max. number of devices in the ring: 50
- MRPD	Yes; Requirement: IRT	Yes; Requirement: IRT	Yes; Requirement: IRT
- PROFinergy	Yes	Yes	Yes
- Shared device	Yes	Yes	Yes
- Number of IO controllers with shared device, max.	4	4	4
- Asset management record	Yes; Per user program	Yes; Per user program	Yes; Per user program
2. Interface			
Interface types			
• Number of ports	1	1	1
• integrated switch	No	No	No
• RJ 45 (Ethernet)	Yes; X2	Yes; X2	Yes; X2
Protocols			
• IP protocol	Yes; IPv4	Yes; IPv4	Yes; IPv4
• PROFINET IO controller	Yes	Yes	Yes
• PROFINET IO Device	Yes	Yes	Yes
• SIMATIC communication	Yes	Yes	Yes
• Open IE communication	Yes	Yes	Yes
• Web server	Yes	Yes	Yes
• Media redundancy	No	No	No

SIMATIC S7-1500 Advanced Controllers

Central processing units

Fail-safe CPUs

Technical specifications (continued)

Article number	6ES7517-3FP00-0AB0 CPU 1517F-3 PN/DP, 3MB Prog., 8MB data	6ES7518-4FP00-0AB0 CPU 1518F-4 PN/DP, 6 MB Prog., 20MB data	6ES7518-4FX00-1AC0 CPU 1518F-4 PN/DP MFP + C/C++ RT +OPC UA
PROFINET IO controller			
Services			
- PG/OP communication	Yes	Yes	Yes
- S7 routing	Yes	Yes	Yes
- Isochronous mode	No	No	No
- Open IE communication	Yes	Yes	Yes
- IRT	No	No	No
- MRP	No	No	No
- MRPD	No	No	No
- PROFlenergy	Yes	Yes	Yes
- Prioritized startup	No	No	No
- Number of connectable IO Devices, max.	128; In total, up to 1 000 distributed I/O devices can be connected via AS-i, PROFIBUS or PROFINET	128; In total, up to 1 000 distributed I/O devices can be connected via AS-i, PROFIBUS or PROFINET	128; In total, up to 1 000 distributed I/O devices can be connected via AS-i, PROFIBUS or PROFINET
- Number of connectable IO Devices for RT, max.	128	128	128
- of which in line, max.	128	128	128
- Number of IO Devices that can be simultaneously activated/deactivated, max.	8; in total across all interfaces	8; in total across all interfaces	8; in total across all interfaces
- Number of IO Devices per tool, max.	8	8	8
- Updating times	The minimum value of the update time also depends on communication share set for PROFINET IO, on the number of IO devices, and on the quantity of configured user data	The minimum value of the update time also depends on communication share set for PROFINET IO, on the number of IO devices, and on the quantity of configured user data	The minimum value of the update time also depends on communication share set for PROFINET IO, on the number of IO devices, and on the quantity of configured user data
Update time for RT			
- for send cycle of 1 ms	1 ms to 512 ms	1 ms to 512 ms	1 ms to 512 ms
PROFINET IO Device			
Services			
- PG/OP communication	Yes	Yes	Yes
- S7 routing	Yes	Yes	Yes
- Isochronous mode	No	No	No
- Open IE communication	Yes	Yes	Yes
- IRT	No	No	No
- MRP	No	No	No
- MRPD	No	No	No
- PROFlenergy	Yes	Yes	Yes
- Prioritized startup	No	No	No
- Shared device	Yes	Yes	Yes
- Number of IO controllers with shared device, max.	4	4	4
- Asset management record	Yes; Per user program	Yes; Per user program	Yes; Per user program
3. Interface			
Interface types			
• Number of ports	1	1	1; C/C++ Runtime can also be reached via this port
• integrated switch		No	No
• RJ 45 (Ethernet)		Yes; X3	Yes; X3
• RS 485	Yes; X3		

Technical specifications (continued)

Article number	6ES7517-3FP00-0AB0 CPU 1517F-3 PN/DP, 3MB Prog., 8MB data	6ES7518-4FP00-0AB0 CPU 1518F-4 PN/DP, 6 MB Prog, 20MB data	6ES7518-4FX00-1AC0 CPU 1518F-4 PN/DP MFP + C/C++ RT +OPC UA
Protocols			
• IP protocol		Yes; IPv4	Yes; IPv4
• PROFINET IO controller		No	No
• PROFINET IO Device		No	No
• PROFIBUS DP master	Yes		
• PROFIBUS DP slave	No		
• SIMATIC communication	Yes	Yes	Yes
• Open IE communication		Yes	Yes
• Web server		Yes	Yes
4. Interface			
Interface types			
• Number of ports		1	1
• RS 485		Yes; X4	Yes; X4
Protocols			
• PROFIBUS DP master		Yes	Yes
• PROFIBUS DP slave		No	No
• SIMATIC communication		Yes	Yes
Protocols			
Number of connections			
• Number of connections, max.	320; via integrated interfaces of the CPU and connected CPs / CMs	384; via integrated interfaces of the CPU and connected CPs / CMs	384; via integrated interfaces of the CPU and connected CPs / CMs
PROFIBUS DP master			
Services			
- Number of DP slaves	125; In total, up to 1 000 distributed I/O devices can be connected via AS-i, PROFIBUS or PROFINET	125; In total, up to 1 000 distributed I/O devices can be connected via AS-i, PROFIBUS or PROFINET	125; In total, up to 1 000 distributed I/O devices can be connected via AS-i, PROFIBUS or PROFINET
OPC UA			
• OPC UA client	Yes	Yes	Yes
• OPC UA server	Yes; Data access (read, write, subscribe), method call, custom address space	Yes; Data access (read, write, subscribe), method call, custom address space	Yes; Data access (read, write, subscribe), method call, custom address space
Isochronous mode			
Isochronous operation (application synchronized up to terminal)	Yes; Distributed and central; with minimum OB 6x cycle of 250 µs (distributed) and 1 ms (central)	Yes; Distributed and central; with minimum OB 6x cycle of 125 µs (distributed) and 1 ms (central)	Yes; Distributed and central; with minimum OB 6x cycle of 125 µs (distributed) and 1 ms (central)
Supported technology objects			
Motion control	Yes; Note: The number of axes affects the cycle time of the PLC program; selection guide via the TIA Selection Tool or SIZER	Yes; Note: The number of axes affects the cycle time of the PLC program; selection guide via the TIA Selection Tool or SIZER	Yes; Note: The number of axes affects the cycle time of the PLC program; selection guide via the TIA Selection Tool or SIZER
• Number of available motion control resources for technology objects (except cam disks)	10 240	10 240	10 240
• Required motion control resources			
- per speed-controlled axis	40	40	40
- per positioning axis	80	80	80
- per synchronous axis	160	160	160
- per external encoder	80	80	80
- per output cam	20	20	20
- per cam track	160	160	160
- per probe	40	40	40
Controller			
• PID_Compact	Yes; Universal PID controller with integrated optimization	Yes; Universal PID controller with integrated optimization	Yes; Universal PID controller with integrated optimization
• PID_3Step	Yes; PID controller with integrated optimization for valves	Yes; PID controller with integrated optimization for valves	Yes; PID controller with integrated optimization for valves
• PID-Temp	Yes; PID controller with integrated optimization for temperature	Yes; PID controller with integrated optimization for temperature	Yes; PID controller with integrated optimization for temperature
Counting and measuring			
• High-speed counter	Yes	Yes	Yes

SIMATIC S7-1500 Advanced Controllers

Central processing units

Fail-safe CPUs

Technical specifications (continued)

Article number	6ES7517-3FP00-0AB0 CPU 1517F-3 PN/DP, 3MB Prog., 8MB data	6ES7518-4FP00-0AB0 CPU 1518F-4 PN/DP, 6 MB Prog, 20MB data	6ES7518-4FX00-1AC0 CPU 1518F-4 PN/DP MFP + C/C++ RT +OPC UA
Standards, approvals, certificates			
Highest safety class achievable in safety mode			
• Performance level according to ISO 13849-1	PLe	PLe	PLe
• SIL acc. to IEC 61508	SIL 3	SIL 3	SIL 3
Probability of failure (for service life of 20 years and repair time of 100 hours)			
- Low demand mode: PFDavg in accordance with SIL3	< 2.00E-05	< 2.00E-05	< 2.00E-05
- High demand/continuous mode: PFH in accordance with SIL3	< 1.00E-09	< 1.00E-09	< 1.00E-09
Ambient conditions			
Ambient temperature during operation			
• horizontal installation, min.	0 °C	0 °C	0 °C
• horizontal installation, max.	60 °C; Display: 50 °C, at an operating temperature of typically 50 °C, the display is switched off	60 °C; Display: 50 °C, at an operating temperature of typically 50 °C, the display is switched off	60 °C; Display: 50 °C, at an operating temperature of typically 50 °C, the display is switched off
• vertical installation, min.	0 °C	0 °C	0 °C
• vertical installation, max.	40 °C; Display: 40 °C, at an operating temperature of typically 40 °C, the display is switched off	40 °C; Display: 40 °C, at an operating temperature of typically 40 °C, the display is switched off	40 °C; Display: 40 °C, at an operating temperature of typically 40 °C, the display is switched off
Altitude during operation relating to sea level			
• Installation altitude above sea level, max.	3 000 m; Restrictions for installation altitudes > 2 000 m, see manual	3 000 m; Restrictions for installation altitudes > 2 000 m, see manual	
Configuration			
Programming			
Programming language			
- LAD	Yes; incl. failsafe	Yes; incl. failsafe	Yes
- FBD	Yes; incl. failsafe	Yes; incl. failsafe	Yes
- STL	Yes	Yes	Yes
- SCL	Yes	Yes	Yes
- GRAPH	Yes	Yes	Yes
Know-how protection			
• User program protection/password protection	Yes	Yes	Yes
• Copy protection	Yes	Yes	Yes
• Block protection	Yes	Yes	Yes
Access protection			
• Password for display	Yes	Yes	Yes
• Protection level: Write protection	Yes; Specific write protection both for Standard and for Failsafe	Yes; Specific write protection both for Standard and for Failsafe	Yes
• Protection level: Read/write protection	Yes	Yes	Yes
• Protection level: Complete protection	Yes	Yes	Yes
Open Development interfaces			
• Size of ODK SO file, max.			9.8 Mbyte
Dimensions			
Width	175 mm	175 mm	175 mm
Height	147 mm	147 mm	147 mm
Depth	129 mm	129 mm	129 mm
Weights			
Weight, approx.	1 978 g	1 988 g	2 117 g

SIMATIC S7-1500 Advanced Controllers

Central processing units

Fail-safe CPUs

4

Ordering data	Article No.	Ordering data	Article No.
CPU 1511F-1 PN Fail-safe CPU, 230 KB work memory for program, 1 MB for data, PROFINET IRT interface with 2-port switch; SIMATIC memory card required	6ES7511-1FK02-0AB0	Accessories SIMATIC memory card 4 MB 12 MB 24 MB 256 MB 2 GB 32 GB	6ES7954-8LC03-0AA0 6ES7954-8LE03-0AA0 6ES7954-8LF03-0AA0 6ES7954-8LL03-0AA0 6ES7954-8LP02-0AA0 6ES7954-8LT03-0AA0
CPU 1513F-1 PN Fail-safe CPU, 450 KB work memory for program, 1.5 MB for data, PROFINET IRT interface with 2-port switch; SIMATIC memory card required	6ES7513-1FL02-0AB0	SIMATIC S7-1500 DIN rail Fixed lengths, with grounding elements <ul style="list-style-type: none"> • 160 mm • 245 mm • 482 mm • 530 mm • 830 mm For cutting to length by customer, without drill holes; grounding elements must be ordered separately <ul style="list-style-type: none"> • 2 000 mm 	6ES7590-1AB60-0AA0 6ES7590-1AC40-0AA0 6ES7590-1AE80-0AA0 6ES7590-1AF30-0AA0 6ES7590-1AJ30-0AA0 6ES7590-1BC00-0AA0
CPU 1515F-2 PN Fail-safe CPU, 750 KB work memory for program, 3 MB for data, PROFINET IRT interface with 2-port switch; PROFIBUS RT interface; SIMATIC memory card required	6ES7515-2FM01-0AB0	PE connection element for DIN rail 2 000 mm 20 units	6ES7590-5AA00-0AA0
CPU 1516F-3 PN/DP Fail-safe CPU, 1.5 MB work memory for program, 5 MB for data, PROFINET IRT interface with 2-port switch, PROFIBUS RT interface, PROFIBUS interface; SIMATIC memory card required	6ES7516-3FN01-0AB0	Power supply For supplying the backplane bus of the S7-1500 controller 24 V DC input voltage, power 25 W 24/48/60 V DC input voltage, power 60 W 24/48/60 V DC input voltage, power 60 W, buffering functionality 120/230 V AC input voltage, power 60 W	6ES7505-0KA00-0AB0 6ES7505-0RA00-0AB0 6ES7505-0RB00-0AB0 6ES7507-0RA00-0AB0
CPU 1517F-3 PN/DP Fail-safe CPU, 3 MB work memory for program, 8 MB for data, PROFINET IRT interface with 2-port switch, PROFIBUS RT interface, PROFIBUS interface; SIMATIC memory card required	6ES7517-3FP00-0AB0	Power connector With coding element for power supply module; spare part, 10 units	6ES7590-8AA00-0AA0
CPU 1518F-4 PN/DP Fail-safe CPU, 6 MB work memory for program, 20 MB for data, PROFINET IRT interface with 2-port switch, PROFIBUS RT interface, Ethernet interface, PROFIBUS interface; SIMATIC memory card required	6ES7518-4FP00-0AB0	Load power supply 24 V DC/3 A 24 V DC/8 A	6EP1332-4BA00 6EP1333-4BA00
CPU 1518F-4 PN/DP MFP CPU 1518F-4 PN/DP MFP, including C/C++ Runtime and OPC UA runtime license	6ES7518-4FX00-1AC0	Power supply connector Spare part; for connecting the 24 V DC supply voltage <ul style="list-style-type: none"> • With push-in terminals 	6ES7193-4JB00-0AA0
		PROFIBUS FastConnect RS 485 bus connector with 90° cable outlet With insulation displacement, max. transmission rate 12 Mbps Without PG interface, grounding via control cabinet contact surface; 1 unit With PG interface, grounding via control cabinet contact surface; 1 unit	6ES7972-0BA70-0XA0 6ES7972-0BB70-0XA0

SIMATIC S7-1500 Advanced Controllers

Central processing units

Fail-safe CPUs

Ordering data

Ordering data	Article No.	Ordering data	Article No.
PROFIBUS FC Standard Cable GP Standard type with special design for fast mounting, 2-wire, shielded; sold by the meter; max. delivery unit 1 000 m, minimum order quantity 20 m	6XV1830-0EH10	IE FC TP Trailing Cable 2 x 2 (Type C) 4-wire, shielded TP installation cable for connection to IE FC RJ45 outlet/IE FC RJ45 plug 180/90 for use as trailing cable; PROFINET-compatible; with UL approval; sold by the meter; max. delivery unit 1 000 m, minimum order quantity 20 m	6XV1840-3AH10
PROFIBUS FC Robust Cable 2-wire, shielded; sold by the meter; max. delivery unit 1 000 m, minimum order quantity 20 m	6XV1830-0JH10	IE FC TP Marine Cable 2 x 2 (Type B) 4-wire, shielded TP installation cable for connection to IE FC RJ45 outlet/IE FC RJ45 plug 180/90 with marine approval; sold by the meter; max. delivery unit 1 000 m, minimum order quantity 20 m	6XV1840-4AH10
PROFIBUS FC Flexible Cable 2-wire, shielded; sold by the meter; max. delivery unit 1 000 m, minimum order quantity 20 m	6XV1831-2K	IE FC stripping tool Preadjusted stripping tool for fast stripping of Industrial Ethernet FC cables	6GK1901-1GA00
PROFIBUS FC Trailing Cable 2-wire, shielded; sold by the meter; max. delivery unit 1 000 m, minimum order quantity 20 m Sheath color: Petrol Sheath color: Violet	6XV1830-3EH10 6XV1831-2L	Display For CPU 1511-1 PN, CPU 1511F-1 PN, CPU 1513-1 PN and CPU 1513F-1 PN; spare part For CPU 1515-2 PN, CPU 1516-3 PN/DP, CPU 1517-3 PN/DP, CPU 1518-4 PN/DP, CPU 1518-4 PN/DP ODK and CPU 1518-4 PN/DP MFP; spare part	6ES7591-1AA01-0AA0 6ES7591-1BA01-0AA0
PROFIBUS FC Food Cable 2-wire, shielded; sold by the meter; max. delivery unit 1 000 m, minimum order quantity 20 m	6XV1830-0GH10	Front cover for PROFIBUS DP interface For CPU 1517-3 PN/DP, CPU 1518-4 PN/DP, CPU 1518-4 PN/DP ODK and CPU 1518-4 PN/DP MFP; spare part	6ES7591-8AA00-0AA0
PROFIBUS FC Ground Cable 2-wire, shielded; sold by the meter; max. delivery unit 1 000 m, minimum order quantity 20 m	6XV1830-3FH10	SIMATIC S7-1500 Starter Kit Comprising: CPU 1511C-1 PN, SIMATIC memory card 4 MB, 160 mm DIN rail, front connector, STEP 7 Professional 365-day license, SIMATIC ProDiag 1500, SIMATIC OPC UA S7-1500 Small, PM 1507 24 V/3 A power supply, Ethernet cable, documentation	6ES7511-1CK02-4YB5
PROFIBUS FC FRNC Cable GP 2-wire, shielded, flame-retardant, with copolymer outer sheath FRNC; sold by the meter; max. delivery unit 1 000 m, minimum order quantity 20 m	6XV1830-0LH10		
PROFIBUS FastConnect stripping tool Preadjusted stripping tool for fast stripping of PROFIBUS FastConnect bus cables	6GK1905-6AA00		
IE FC RJ45 plugs RJ45 plug connector for Industrial Ethernet with a rugged metal enclosure and integrated insulation displacement contacts for connecting Industrial Ethernet FC installation cables			
IE FC RJ45 plug 180 180° cable outlet 1 unit 10 units 50 units	6GK1901-1BB10-2AA0 6GK1901-1BB10-2AB0 6GK1901-1BB10-2AE0		
IE FC TP Standard Cable GP 2x2 4-wire, shielded TP installation cable for connection to IE FC RJ45 outlet/IE FC RJ45 plug; PROFINET-compatible; with UL approval; sold by the meter; max. delivery unit 1 000 m, minimum order quantity 20 m	6XV1840-2AH10		

Ordering data	Article No.	Article No.	
STEP 7 Professional V15.1 Target system: SIMATIC S7-1200, S7-1500, S7-300, S7-400, WinAC Requirement: Windows 7 Home Premium SP1 (64-bit) Windows 7 Professional SP1 (64-bit) Windows 7 Enterprise SP1 (64-bit) Windows 7 Ultimate SP1 (64-bit) Windows 10 Home Version 1709, 1803 Windows 10 Professional Version 1709, 1803 Windows 10 Enterprise Version 1709, 1803 Windows 10 Enterprise 2016 LTSB Windows 10 IoT Enterprise 2015 LTSB Windows 10 IoT Enterprise 2016 LTSB Windows Server 2012 R2 StdE (full installation) Windows Server 2016 Standard (full installation) Type of delivery: en, de, fr, it, es, zh STEP 7 Professional V15.1, floating license STEP 7 Professional V15.1, floating license, software download incl. license key ¹⁾ Email address required for delivery	6ES7822-1AA05-0YA5 6ES7822-1AE05-0YA5 6ES7833-1FA15-0YA5 6ES7833-1FA15-0YH5	SIMATIC ODK 1500S Open Development Kit for support in developing high-level language applications for SIMATIC S7-1500 Advanced Controllers; supplied on DVD, license key (floating license) on USB flash drive Open Development Kit for support in developing high-level language applications for SIMATIC S7-1500 Advanced Controllers Software download including license key (floating license) ¹⁾ Email address required for delivery Open Development Kit for support in developing high-level language applications for SIMATIC S7-1500 Advanced Controllers; upgrade for existing installations as from V1.0; software download including license key (floating license) ¹⁾ Email address required for delivery SIMATIC Target 1500S for Simulink V3.0 Download incl. license key ¹⁾ Email address required for delivery SIMATIC Target + ODK 1500S bundle Download incl. license key ¹⁾ Email address required for delivery Upgrade of SIMATIC Target 1500S for Simulink V2.0 to V3.0, download incl. license key ¹⁾ Email address required for delivery SIMATIC Manual Collection Electronic manuals on DVD, multi-language: LOGO!, SIMADYN, SIMATIC bus components, SIMATIC C7, SIMATIC Distributed I/O, SIMATIC HMI, SIMATIC sensors, SIMATIC NET, SIMATIC PC-based Automation, SIMATIC PCS 7, SIMATIC PG/PC, SIMATIC S7, SIMATIC Software, SIMATIC TDC SIMATIC Manual Collection update service for 1 year Current "Manual Collection" DVD and the three subsequent updates	6ES7806-2CD03-0YA0 6ES7806-2CD03-0YG0 6ES7806-2CD03-0YK0 6ES7823-1BE02-0YA5 6ES7823-1BE12-0YA0 6ES7823-1BE02-0YE5 6ES7998-8XC01-8YE0 6ES7998-8XC01-8YE2

¹⁾ For up-to-date information and download availability, see:
<http://www.siemens.com/tia-online-software-delivery>

SIMATIC S7-1500 Advanced Controllers

Central processing units

SIPLUS fail-safe CPUs

Overview SIPLUS CPU 1511F-1 PN



- Entry-level CPU in the SIPLUS S7-1500F Controller product range
- Suitable for standard and fail-safe applications with medium requirements for program scope and processing speed
- Used as central controller in production lines with central and distributed I/O
- Supports PROFIsafe in centralized and distributed configurations
- PROFINET IO IRT interface with 2-port switch
- PROFINET IO controller for operating distributed I/O on PROFINET
- PROFINET I-Device for connecting the CPU as an intelligent PROFINET device under a SIMATIC or non-Siemens PROFINET I/O controller
- Isochronous mode

Note:

SIMATIC memory card required for operation of the CPU.

SIPLUS extreme products are based on SIMATIC standard products. The contents listed here were taken from the corresponding standard products. SIPLUS extreme specific information was added.

Overview SIPLUS CPU 1513F-1 PN



- The CPU for standard and fail-safe applications with medium/high requirements for program/data storage in the SIPLUS S7-1500 controller product range
- High processing speed for binary and floating-point arithmetic
- Used as central controller in production lines with central and distributed I/O
- Supports PROFIsafe in centralized and distributed configurations
- PROFINET IO IRT interface with 2-port switch
- PROFINET IO controller for operating distributed I/O on PROFINET
- PROFINET I-Device for connecting the CPU as an intelligent PROFINET device under a SIMATIC or non-Siemens PROFINET I/O controller
- Isochronous mode

Note:

SIMATIC memory card required for operation of the CPU.

SIPLUS extreme products are based on SIMATIC standard products. The contents listed here were taken from the corresponding standard products. SIPLUS extreme specific information was added.

Overview SIPLUS CPU 1515F-2 PN

- The CPU for applications with medium to high requirements for program/data storage in the S7-1500 controller product range
- Can be used for failsafe functions up to SIL 3 according to IEC 61508 and up to PLe according to ISO 13849.
- Medium to high processing speed for binary and floating-point arithmetic
- Used as central controller in production lines with central and distributed I/O
- Supports PROFIsafe in centralized and distributed configurations
- PROFINET IO IRT interface with 2-port switch
- Additional PROFINET interface with separate IP address
- PROFINET IO controller for operating distributed I/O on PROFINET
- PROFINET I-Device for connecting the CPU as an intelligent PROFINET device under a SIMATIC or non-Siemens PROFINET IO controller
- Isochronous mode
- Integrated motion control functionalities for controlling speed-controlled and positioning axes, support for external encoders
- Integrated web server with the option of creating user-defined web pages

Note:

SIMATIC memory card required for operation of the CPU.

SIPLUS extreme products are based on SIMATIC standard products. The contents listed here were taken from the respective standard products. SIPLUS extreme specific information was added.

Overview SIPLUS CPU 1516F-3 PN/DP



- The CPU with a large program and data memory in the SIPLUS S7-1500 controller product range for failsafe applications with high requirements regarding program scope and networking.
- Can be used for failsafe functions up to SIL 3 according to IEC 61508 and up to PLe according to ISO 13849.
- High processing speed for binary and floating-point arithmetic
- Used as central controller in production lines with central and distributed I/O.
- Supports PROFIsafe in centralized and distributed configuration.
- PROFINET IO IRT interface with 2-port switch.
- Additional PROFINET interface with separate IP address.
- PROFINET IO controller for operating distributed I/O on PROFINET.
- PROFINET I-Device for connecting the CPU as an intelligent PROFINET device under a SIMATIC or non-Siemens PROFINET IO controller.
- PROFIBUS DP master interface.
- Isochronous mode on PROFIBUS and PROFINET.
- Integrated motion control functionalities for controlling speed-controlled and positioning axes, support for external encoders.
- Integrated Web server with the option of creating user-defined Web pages.

Note:

SIMATIC Memory Card required for operation of the CPU.

SIPLUS extreme products are based on SIMATIC standard products. The contents listed here were taken from the corresponding standard products. SIPLUS extreme specific information was added.

SIMATIC S7-1500 Advanced Controllers

Central processing units

SIPLUS fail-safe CPUs

Overview SIPLUS CPU 1518F-4 PN/DP



- The CPU with a very large program and data memory in the SIPLUS S7-1500 controller product range for failsafe applications with highest requirements regarding program scope, performance and networking.
- Can be used for failsafe functions up to SIL 3 according to IEC 61508 and up to PLe according to ISO 13849.
- Extremely high processing speed for binary and floating-point arithmetic.
- For cross-industry automation tasks in series machine, special machine and plant construction

- Used as central controller in production lines with central and distributed I/O.
- Supports PROFIsafe in centralized and distributed configuration.
- PROFINET IO IRT interface with 2-port switch.
- Two additional PROFINET interfaces with separate IP addresses.
- PROFINET IO controller for operating distributed I/O on PROFINET.
- PROFINET I-Device for connecting the CPU as an intelligent PROFINET device under a SIMATIC or non-Siemens PROFINET IO controller.
- PROFIBUS DP master interface.
- Isochronous mode on PROFIBUS and PROFINET.
- Integrated motion control functionalities for controlling speed-controlled and positioning axes, support for external encoders
- Integrated Web server with the option of creating user-defined Web pages.

Note:

SIMATIC memory card required for operation of the CPU.

SIPLUS extreme products are based on SIMATIC standard products. The contents listed here were taken from the corresponding standard products. SIPLUS extreme specific information was added.

Technical specifications

Article number	6AG1511-1FK01-2AB0	6AG1513-1FL01-2AB0	6AG1515-2FM01-2AB0	6AG1516-3FN01-2AB0	6AG1518-4FP00-4AB0
Based on	6ES7511-1FK01-0AB0	6ES7513-1FL01-0AB0	6ES7515-2FM01-0AB0	6ES7516-3FN01-0AB0	6ES7518-4FP00-0AB0
	SIPLUS S7-1500 CPU 1511F-1 PN	SIPLUS S7-1500 CPU 1513F-1 PN	SIPLUS S7-1500 CPU 1515F-2 PN	SIPLUS S7-1500 CPU-1516F-3 PN/DP	SIPLUS S7-1500 CPU 1518F-4 PN/DP
Ambient conditions					
Ambient temperature during operation					
• horizontal installation, min.	-25 °C; = Tmin; startup @ -25 °C; startup display @ -20 °C	-25 °C; = Tmin; startup @ -25 °C; startup display @ -20 °C	-25 °C; = Tmin	-25 °C; = Tmin; startup @ -25 °C; startup display @ -20 °C	0 °C
• horizontal installation, max.	60 °C; Display: 50 °C, at an operating temperature of typically 50 °C, the display is switched off	60 °C; Display: 50 °C, at an operating temperature of typically 50 °C, the display is switched off	60 °C; = Tmax; display: 50 °C, the display is switched off at an operating temperature of typically 50 °C	60 °C; Display: 50 °C, at an operating temperature of typically 50 °C, the display is switched off	60 °C; Display: 50 °C, at an operating temperature of typically 50 °C, the display is switched off
• vertical installation, min.	-25 °C; = Tmin; startup @ -25 °C; startup display @ -20 °C	-25 °C; = Tmin; startup @ -25 °C; startup display @ -20 °C	-25 °C	-25 °C; = Tmin; startup @ -25 °C; startup display @ -20 °C	0 °C
• vertical installation, max.	40 °C; Display: 40 °C, at an operating temperature of typically 40 °C, the display is switched off	40 °C; Display: 40 °C, at an operating temperature of typically 40 °C, the display is switched off	40 °C; Display: 40 °C, at an operating temperature of typically 40 °C, the display is switched off	40 °C; Display: 40 °C, at an operating temperature of typically 40 °C, the display is switched off	40 °C; Display: 40 °C, at an operating temperature of typically 40 °C, the display is switched off

Technical specifications (continued)

Article number	6AG1511-1FK01-2AB0	6AG1513-1FL01-2AB0	6AG1515-2FM01-2AB0	6AG1516-3FN01-2AB0	6AG1518-4FP00-4AB0
Based on	6ES7511-1FK01-0AB0 SIPLUS S7-1500 CPU 1511F-1 PN	6ES7513-1FL01-0AB0 SIPLUS S7-1500 CPU 1513F-1 PN	6ES7515-2FM01-0AB0 SIPLUS S7-1500 CPU 1515F-2 PN	6ES7516-3FN01-0AB0 SIPLUS S7-1500 CPU-1516F-3 PN/DP	6ES7518-4FP00-0AB0 SIPLUS S7-1500 CPU 1518F-4 PN/DP
Altitude during operation relating to sea level					
<ul style="list-style-type: none"> Installation altitude above sea level, max. Ambient air temperature-barometric pressure-altitude 	2 000 m Tmin ... Tmax at 1 140 hPa ... 795 hPa (-1 000 m ... +2 000 m)	2 000 m Tmin ... Tmax at 1 140 hPa ... 795 hPa (-1 000 m ... +2 000 m)	2 000 m Tmin ... Tmax at 1 140 hPa ... 795 hPa (-1 000 m ... +2 000 m)	2 000 m Tmin ... Tmax at 1 140 hPa ... 795 hPa (-1 000 m ... +2 000 m)	2 000 m Tmin ... Tmax at 1 140 hPa ... 795 hPa (-1 000 m ... +2 000 m)
Relative humidity					
<ul style="list-style-type: none"> With condensation, tested in accordance with IEC 60068-2-38, max. 	100 %; RH incl. condensation / frost (no commissioning in bedewed state), horizontal installation	100 %; RH incl. condensation / frost (no commissioning in bedewed state), horizontal installation	100 %; incl. condensation / frost permitted (no commissioning under condensation conditions)	100 %; RH incl. condensation / frost (no commissioning in bedewed state), horizontal installation	100 %; RH incl. condensation/frost (no commissioning under condensation conditions)
Resistance					
Coolants and lubricants					
<ul style="list-style-type: none"> Resistant to commercially available coolants and lubricants 	Yes; Incl. diesel and oil droplets in the air	Yes; Incl. diesel and oil droplets in the air	Yes; Incl. diesel and oil droplets in the air	Yes; Incl. diesel and oil droplets in the air	Yes; Incl. diesel and oil droplets in the air
Use in stationary industrial systems					
<ul style="list-style-type: none"> to biologically active substances according to EN 60721-3-3 to chemically active substances according to EN 60721-3-3 to mechanically active substances according to EN 60721-3-3 	Yes; Class 3B2 mold, fungus and dry rot spores (with the exception of fauna); Class 3B3 on request Yes; Class 3C4 (RH < 75 %) incl. salt spray acc. to EN 60068-2-52 (severity degree 3); * Yes; Class 3S4 incl. sand, dust; *	Yes; Class 3B2 mold, fungus and dry rot spores (with the exception of fauna); Class 3B3 on request Yes; Class 3C4 (RH < 75 %) incl. salt spray acc. to EN 60068-2-52 (severity degree 3); * Yes; Class 3S4 incl. sand, dust; *	Yes; Class 3B2 mold, fungus and dry rot spores (with the exception of fauna); Class 3B3 on request Yes; Class 3C4 (RH < 75 %) incl. salt spray acc. to EN 60068-2-52 (severity degree 3); * Yes; Class 3S4 incl. sand, dust; *	Yes; Class 3B2 mold, fungus and dry rot spores (with the exception of fauna); Class 3B3 on request Yes; Class 3C4 (RH < 75 %) incl. salt spray acc. to EN 60068-2-52 (severity degree 3); * Yes; Class 3S4 incl. sand, dust; *	Yes; Class 3B2 mold, fungus and dry rot spores (with the exception of fauna); Class 3B3 on request Yes; Class 3C4 (RH < 75 %) incl. salt spray acc. to EN 60068-2-52 (severity degree 3); * Yes; Class 3S4 incl. sand, dust; *
Use on ships/at sea					
<ul style="list-style-type: none"> to biologically active substances according to EN 60721-3-6 to chemically active substances according to EN 60721-3-6 to mechanically active substances according to EN 60721-3-6 	Yes; Class 6B2 mold and fungal spores (excluding fauna); Class 6B3 on request Yes; Class 6C3 (RH < 75 %) incl. salt spray acc. to EN 60068-2-52 (severity degree 3); * Yes; Class 6S3 incl. sand, dust; *	Yes; Class 6B2 mold and fungal spores (excluding fauna); Class 6B3 on request Yes; Class 6C3 (RH < 75 %) incl. salt spray acc. to EN 60068-2-52 (severity degree 3); * Yes; Class 6S3 incl. sand, dust; *	Yes; Class 6B2 mold and fungal spores (excluding fauna); Class 6B3 on request Yes; Class 6C3 (RH < 75 %) incl. salt spray acc. to EN 60068-2-52 (severity degree 3); * Yes; Class 6S3 incl. sand, dust; *	Yes; Class 6B2 mold and fungal spores (excluding fauna); Class 6B3 on request Yes; Class 6C3 (RH < 75 %) incl. salt spray acc. to EN 60068-2-52 (severity degree 3); * Yes; Class 6S3 incl. sand, dust; *	Yes; Class 6B2 mold and fungal spores (excluding fauna); Class 6B3 on request Yes; Class 6C3 (RH < 75 %) incl. salt spray acc. to EN 60068-2-52 (severity degree 3); * Yes; Class 6S3 incl. sand, dust; *
Remark					
<ul style="list-style-type: none"> Note regarding classification of environmental conditions acc. to EN 60721 	* The supplied plug covers must remain in place over the unused interfaces during operation!	* The supplied plug covers must remain in place over the unused interfaces during operation!	* The supplied plug covers must remain in place over the unused interfaces during operation!	* The supplied plug covers must remain in place over the unused interfaces during operation!	* The supplied plug covers must remain in place over the unused interfaces during operation!
Conformal coating					
<ul style="list-style-type: none"> Coatings for printed circuit board assemblies acc. to EN 61086 Military testing according to MIL-I-46058C, Amendment 7 Qualification and Performance of Electrical Insulating Compound for Printed Board Assemblies according to IPC-CC-830A 	Yes; Class 2 for high availability Yes; Discoloration of coating possible during service life Yes; Conformal coating, Class A	Yes; Class 2 for high availability Yes; Discoloration of coating possible during service life Yes; Conformal coating, Class A	Yes; Class 2 for high availability Yes; Discoloration of coating possible during service life Yes; Conformal coating, Class A	Yes; Class 2 for high availability Yes; Discoloration of coating possible during service life Yes; Conformal coating, Class A	Yes; Class 2 for high availability Yes; Discoloration of coating possible during service life Yes; Conformal coating, Class A

SIMATIC S7-1500 Advanced Controllers

Central processing units

SIPLUS fail-safe CPUs

Ordering data

Article No.

CPU 1511F-1 PN

(Extended temperature range and exposure to environmental substances)

Fail-safe CPU, 225 KB work memory for program, 1 MB for data, PROFINET IRT interface with 2-port switch;
SIMATIC memory card required

6AG1511-1FK01-2AB0

SIPLUS CPU 1513F-1 PN

(Extended temperature range and exposure to environmental substances)

Fail-safe CPU, 450 KB work memory for program, 1.5 MB for data, PROFINET IRT interface with 2-port switch;
SIMATIC memory card required

6AG1513-1FL01-2AB0

SIPLUS CPU 1515F-2 PN

(Extended temperature range and exposure to environmental substances)

Fail-safe CPU, 750 KB work memory for program, 3 MB for data, PROFINET IRT interface with 2-port switch; PROFINET RT interface;
SIMATIC memory card required

6AG1515-2FM01-2AB0

SIPLUS CPU 1516F-3 PN/DP

(Extended temperature range and exposure to environmental substances)

Fail-safe CPU, 1.5 MB work memory for program, 5 MB for data, PROFINET IRT interface with 2-port switch, PROFINET RT interface, PROFIBUS interface;
SIMATIC memory card required

6AG1516-3FN01-2AB0

CPU 1518F-4 PN/DP

(exposure to environmental substances)

Fail-safe CPU, 6 MB work memory for program, 20 MB for data, PROFINET IRT interface with 2-port switch, PROFINET RT interface, Ethernet interface, PROFIBUS interface;
SIMATIC memory card required

6AG1518-4FP00-4AB0

Article No.

Accessories

System power supply

(Extended temperature range and exposure to environmental substances)

For supplying the backplane bus of the S7-1500 controller

24 V DC input voltage, power 25 W

6AG1505-0KA00-7AB0

24/48/60 V DC input voltage, power 60 W

6AG1505-0RA00-7AB0

120/230 V AC input voltage, power 60 W

6AG1507-0RA00-7AB0

Load power supply

(Extended temperature range and exposure to environmental substances)

24 V DC/3 A

6AG1332-4BA00-7AA0

24 V DC/8 A

6AG1333-4BA00-7AA0

Display

(Extended temperature range and exposure to environmental substances)

For SIPLUS CPU 1511F-1 PN and CPU 1513F-1 PN; spare part

6AG1591-1AA01-2AA0

For SIPLUS CPU 1515F-2 PN, CPU 1516F-3 PN/DP and CPU 1518-4F PN/DP; spare part

6AG1591-1BA01-2AA0

Other accessories

See SIMATIC S7-1500, fail-safe CPUs, page 4/53

Overview CPU 1513R-1 PN



- The CPU for applications with medium requirements for program scope and processing speed, and increased requirements for availability.
- High processing speed for binary and floating-point arithmetic
- Used as the central controller in production lines with distributed I/O
- PROFINET IO RT interface with 2-port switch
- PROFINET IO controller for operating distributed I/O on PROFINET

Note:

SIMATIC Memory Card required for operation of the CPU.

Overview CPU 1515R-2 PN



- The CPU for applications with medium/high requirements for program scope, networking and processing speed, and with increased requirements for availability.
- High processing speed for binary and floating-point arithmetic
- Used as central controller with distributed I/O
- PROFINET IO RT interface with 2-port switch
- Additional PROFINET interface with separate IP address
- PROFINET IO controller for operating distributed I/O on PROFINET

Note:

SIMATIC Memory Card required for operation of the CPU.

SIMATIC S7-1500 Advanced Controllers

Central processing units

Redundant CPUs

Overview CPU 1517H-3 PN



- The CPU for applications with high requirements for availability, very high requirements for program scope and networking, and very high requirements for processing speed.
- High processing speed for binary and floating-point arithmetic
- Used as central controller with distributed I/O
- PROFINET IO RT interface with 2-port switch
- Additional PROFINET interface with separate IP address
- PROFINET IO controller for operating distributed I/O on PROFINET

Note:

SIMATIC Memory Card required for operation of the CPU.

Technical specifications

Article number	6ES7513-1RL00-0AB0 CPU 1513R-1 PN, 300KB program, 1.5MB data	6ES7515-2RM00-0AB0 CPU 1515R-2 PN, 500KB program, 3MB data	6ES7517-3HP00-0AB0 CPU 1517H-3 PN, 2MB program, 8MB data
General information			
Product type designation	CPU 1513R-1 PN	CPU 1515R-2 PN	CPU 1517H-3 PN
Engineering with			
• STEP 7 TIA Portal configurable/ integrated as of version	STEP 7 V15.1 or higher	STEP 7 V15.1 or higher	STEP 7 V15.1 or higher
Display			
Screen diagonal [cm]	3.45 cm	6.1 cm	6.1 cm
Supply voltage			
Type of supply voltage	24 V DC	24 V DC	24 V DC
Memory			
Work memory			
• integrated (for program)	300 kbyte	500 kbyte	2 Mbyte
• integrated (for data)	1.5 Mbyte	3 Mbyte	8 Mbyte
Load memory			
• Plug-in (SIMATIC memory card), max.	32 Gbyte	32 Gbyte	32 Gbyte
CPU processing times			
for bit operations, typ.	80 ns	60 ns	4 ns
for word operations, typ.	96 ns	72 ns	6 ns
for fixed point arithmetic, typ.	128 ns	96 ns	6 ns
for floating point arithmetic, typ.	512 ns	384 ns	24 ns
Counters, timers and their retentivity			
S7 counter			
• Number	2 048	2 048	2 048
IEC counter			
• Number	Any (only limited by the main memory)	Any (only limited by the main memory)	Any (only limited by the main memory)
S7 times			
• Number	2 048	2 048	2 048
IEC timer			
• Number	Any (only limited by the main memory)	Any (only limited by the main memory)	Any (only limited by the main memory)
Data areas and their retentivity			
Flag			
• Number, max.	16 kbyte	16 kbyte	16 kbyte

Technical specifications (continued)

Article number	6ES7513-1RL00-0AB0 CPU 1513R-1 PN, 300KB program, 1.5MB data	6ES7515-2RM00-0AB0 CPU 1515R-2 PN, 500KB program, 3MB data	6ES7517-3HP00-0AB0 CPU 1517H-3 PN, 2MB program, 8MB data
Address area			
I/O address area			
• Inputs	32 kbyte	32 kbyte; All inputs are in the process image	32 kbyte
• Outputs	32 kbyte	32 kbyte; All outputs are in the process image	32 kbyte
Time of day			
Clock			
• Type			Hardware clock
1. Interface			
Interface types			
• Number of ports	2	2	2
• integrated switch	Yes	Yes	Yes
• RJ 45 (Ethernet)	Yes; X1	Yes; X1	Yes; X1
Protocols			
• IP protocol	Yes; IPv4	Yes; IPv4	Yes; IPv4
• PROFINET IO controller	Yes	Yes	Yes
• PROFINET IO Device	No	No	No
• SIMATIC communication	Yes; Only Server	Yes; Only Server	Yes; Only Server
• Open IE communication	Yes	Yes	Yes
• Web server	No	No	No
• Media redundancy	Yes; MRP Automanager according to IEC 62439-2 Edition 2.0	Yes	Yes
PROFINET IO controller			
Services			
- PG/OP communication	Yes	Yes	Yes
- S7 routing	No	No	No
- Isochronous mode	No	No	No
- Open IE communication	Yes	Yes	Yes
- IRT	No	No	No
- MRP	Yes; Only Manager Auto, max. 50 nodes; only 16 are recommended, however	Yes; Only Manager Auto, max. 50 nodes; only 16 are recommended, however	Yes; Only Manager Auto, max. 50 nodes
- MRPD	No	No	No
- PROFinergy	Yes	Yes	Yes
- Number of connectable IO Devices, max.	64	64	256
- Updating times		The minimum value of the update time also depends on communication share set for PROFINET IO, on the number of IO devices, and on the quantity of configured user data	
Update time for RT			
- for send cycle of 1 ms	1 ms to 512 ms	1 ms to 512 ms	1 ms to 512 ms
2. Interface			
Interface types			
• Number of ports		1	1
• integrated switch		No	No
• RJ 45 (Ethernet)		Yes; X2	Yes; X2
Protocols			
• IP protocol		Yes; IPv4	Yes; IPv4
• PROFINET IO controller		No	No
• PROFINET IO Device		No	No
• SIMATIC communication		Yes; Only Server	Yes; Only Server
• Open IE communication		Yes	Yes
• Web server		No	No
• Media redundancy		No	No

SIMATIC S7-1500 Advanced Controllers

Central processing units

Redundant CPUs

Technical specifications (continued)

Article number	6ES7513-1RL00-0AB0 CPU 1513R-1 PN, 300KB program, 1.5MB data	6ES7515-2RM00-0AB0 CPU 1515R-2 PN, 500KB program, 3MB data	6ES7517-3HP00-0AB0 CPU 1517H-3 PN, 2MB program, 8MB data
3. Interface			
Interface type			Pluggable interface module (IF)
Plug-in interface modules			Synchronization module 6ES7960-1CB00-0AA5 or 6ES7960-1FB00-0AA5
4. Interface			
Interface type			Pluggable synchronization submodule (FO)
Plug-in interface modules			Synchronization module 6ES7960-1CB00-0AA5 or 6ES7960-1FB00-0AA5
Protocols			
Number of connections			
• Number of connections, max.	88	108	160
OPC UA			
• OPC UA client	No	No	No
• OPC UA server	No	No	No
Supported technology objects			
Motion control	No	No	No
Controller			
• PID_Compact	No	No	No
• PID_3Step	No	No	No
• PID-Temp	No	No	No
Counting and measuring			
• High-speed counter	No	No	No
Ambient conditions			
Ambient temperature during operation			
• horizontal installation, min.	0 °C	0 °C	0 °C
• horizontal installation, max.	60 °C; Display: 50 °C, at an operating temperature of typically 50 °C, the display is switched off	60 °C; Display: 50 °C, at an operating temperature of typically 50 °C, the display is switched off	60 °C; Display: 50 °C, at an operating temperature of typically 50 °C, the display is switched off
• vertical installation, min.	0 °C	0 °C	0 °C
• vertical installation, max.	40 °C; Display: 40 °C, at an operating temperature of typically 40 °C, the display is switched off	40 °C; Display: 40 °C, at an operating temperature of typically 40 °C, the display is switched off	40 °C; Display: 40 °C, at an operating temperature of typically 40 °C, the display is switched off
Configuration			
Programming			
Programming language			
- LAD	Yes	Yes	Yes
- FBD	Yes	Yes	Yes
- STL	Yes	Yes	Yes
- SCL	Yes	Yes	Yes
- CFC	No	No	No
- GRAPH	No	No	No
Know-how protection			
• User program protection/ password protection	Yes	Yes	Yes
• Copy protection	No	No	No
• Block protection	Yes	Yes	Yes
Access protection			
• Password for display	Yes	Yes	Yes
• Protection level: Write protection	Yes	Yes	Yes
• Protection level: Read/write protection	Yes	Yes	Yes
• Protection level: Complete protection	Yes	Yes	Yes
Dimensions			
Width	35 mm	70 mm	210 mm
Height	147 mm	147 mm	147 mm
Depth	129 mm	129 mm	129 mm
Weights			
Weight, approx.	430 g	830 g	2 119 g; Interface modules: 2x 18 g

Ordering data	Article No.	Ordering data	Article No.
CPU 1513R-1 PN SIMATIC S7-1500R CPU, 300 KB work memory for program, 1.5 MB for data, PROFINET RT interface with 2-port switch; SIMATIC memory card required	6ES7513-1RL00-0AB0	PE connection element for DIN rail 2000 mm 20 units	6ES7590-5AA00-0AA0
CPU 1515R-2 PN SIMATIC S7-1500R CPU, 450 KB work memory for program, 3 MB for data, PROFINET RT interface with 2-port switch, PROFINET interface; SIMATIC memory card required	6ES7515-2RM00-0AB0	Power supply For supplying the backplane bus of the S7-1500 controller	
		24 V DC input voltage, power 25 W	6ES7505-0KA00-0AB0
		24/48/60 V DC input voltage, power 60 W	6ES7505-0RA00-0AB0
		24/48/60 V DC input voltage, power 60 W, buffering functionality	6ES7505-0RB00-0AB0
		120/230 V AC input voltage, power 60 W	6ES7507-0RA00-0AB0
CPU 1517H-3 PN SIMATIC S7-1500H CPU, 2 MB work memory for program, 8 MB for data, 1st interface PROFINET RT with 2-port switch, 2nd interface PROFINET, 3rd interface synchronization, command times for bit operations 4 ns; SIMATIC memory card required	6ES7517-3HP00-0AB0	Power connector With coding element for power supply module; spare part, 10 units	6ES7590-8AA00-0AA0
SIMATIC S7-1500H system bundle Comprising 2 CPUs 1517H-3 PN, 4 synchronization modules up to 10 m, 2 FOC synchronization cables (1 m)	6ES7500-0HP00-0AB0	Load power supply 24 V DC/3A 24 V DC/8A	6EP1332-4BA00 6EP1333-4BA00
Accessories		Power supply connector Spare part; for connecting the 24 V DC supply voltage • With push-in terminals	6ES7193-4JB00-0AA0
Synchronization module For patch cable FOC up to 10 m For routing cable FOC up to 10 km	6ES7960-1CB00-0AA5 6ES7960-1FB00-0AA5	IE FC RJ45 plugs RJ45 plug connector for Industrial Ethernet with a rugged metal enclosure and integrated insulation displacement contacts for connecting Industrial Ethernet FC installation cables	
Synchronization connecting cables FOC for S7-1500H Length 1 m Length 2 m Length 10 m	6ES7960-1BB00-5AA5 6ES7960-1BC00-5AA5 6ES7960-1CB00-5AA5	IE FC RJ45 plug 180 180° cable outlet 1 unit 10 units 50 units	6GK1901-1BB10-2AA0 6GK1901-1BB10-2AB0 6GK1901-1BB10-2AE0
SIMATIC memory card 4 MB 12 MB 24 MB 256 MB 2 GB 32 GB	6ES7954-8LC03-0AA0 6ES7954-8LE03-0AA0 6ES7954-8LF03-0AA0 6ES7954-8LL03-0AA0 6ES7954-8LP02-0AA0 6ES7954-8LT03-0AA0	IE FC TP Standard Cable GP 2x2 4-wire, shielded TP installation cable for connection to IE FC RJ45 outlet/ IE FC RJ45 plug; PROFINET-compatible; with UL approval; sold by the meter; max. delivery unit 1000 m, minimum order quantity 20 m	6XV1840-2AH10
SIMATIC S7-1500 DIN rail Fixed lengths, with grounding elements • 160 mm • 245 mm • 482 mm • 530 mm • 830 mm For cutting to length by customer, without drill holes; grounding elements must be ordered separately • 2000 mm	6ES7590-1AB60-0AA0 6ES7590-1AC40-0AA0 6ES7590-1AE80-0AA0 6ES7590-1AF30-0AA0 6ES7590-1AJ30-0AA0 6ES7590-1BC00-0AA0	IE FC TP Trailing Cable 2 x 2 (Type C) 4-wire, shielded TP installation cable for connection to IE FC RJ45 outlet/IE FC RJ45 plug 180/90 for use as trailing cable; PROFINET-compatible; with UL approval; sold by the meter; max. delivery unit 1 000 m, minimum order quantity 20 m	6XV1840-3AH10

SIMATIC S7-1500 Advanced Controllers

Central processing units

Redundant CPUs

Ordering data	Article No.	Article No.
IE FC TP Marine Cable 2 x 2 (Type B) 4-wire, shielded TP installation cable for connection to IE FC RJ45 outlet/ IE FC RJ45 plug 180/90 with marine approval, sold by the meter; max. delivery unit 1000 m, minimum order quantity 20 m	6XV1840-4AH10	
IE FC stripping tool Preadjusted stripping tool for fast stripping of Industrial Ethernet FC cables	6GK1901-1GA00	
Display For CPU 1511-1 PN, CPU 1511F-1 PN, CPU 1513-1 PN, CPU 1513F-1 PN, CPU 1513R-1 PN; spare part For CPU 1515-2 PN, CPU 1515F-2 PN, CPU 1515R-2 PN, CPU 1516-3 PN/DP, CPU 1516F-3 PN/DP, CPU 1517-3 PN/DP, CPU 1517H-3 PN, CPU 1517F-3 PN/DP, CPU 1518-4 PN/DP, CPU 1518F-4 PN/DP, CPU 1518-4 PN/DP ODK and CPU 1518F-4 PN/DP ODK; spare part	6ES7591-1AA01-0AA0 6ES7591-1BA01-0AA0	
		STEP 7 Professional V15.1 (required for S7-1500R/H) Target system: SIMATIC S7-1200, S7-1500, S7-300, S7-400, WinAC Requirement: Windows 7 Home Premium SP1 (64-bit) Windows 7 Professional SP1 (64-bit) Windows 7 Enterprise SP1 (64-bit) Windows 7 Ultimate SP1 (64-bit) Windows 10 Home Version 1703 Windows 10 Professional Version 1703 Windows 10 Enterprise Version 1703 Windows 10 Enterprise 2016 LTSB Windows 10 IoT Enterprise 2015 LTSB Windows 10 IoT Enterprise 2016 LTSB Windows Server 2012 R2 StdE (full installation) Windows Server 2016 Standard (full installation) Type of delivery: en, de, fr, it, es, zh STEP 7 Professional V15.1, floating license STEP 7 Professional V15.1, floating license, software download incl. license key ¹⁾ Email address required for delivery
		6ES7822-1AA05-0YA5
		6ES7822-1AE05-0YA5
		SIMATIC Manual Collection 6ES7998-8XC01-8YE0 Electronic manuals on DVD, multilingual: LOGO!, SIMADYN, SIMATIC bus components, SIMATIC C7, SIMATIC Distributed I/O, SIMATIC HMI, SIMATIC Sensors, SIMATIC NET, SIMATIC PC-based Automation, SIMATIC PCS 7, SIMATIC PG/PC, SIMATIC S7, SIMATIC Software, SIMATIC TDC
		SIMATIC Manual Collection update service for 1 year 6ES7998-8XC01-8YE2 Current "Manual Collection" DVD and the three subsequent updates

¹⁾ For up-to-date information and download availability, see: <http://www.siemens.com/tia-online-software-delivery>

Overview CPU 1511T-1 PN



- Entry-level CPU in the S7-1500T Controller product range
- Suitable for applications with medium requirements for program scope and processing speed
- Used as central controller in production lines with central and distributed I/O
- PROFINET IO IRT interface with 2-port switch
- PROFINET IO controller for operating distributed I/O on PROFINET
- PROFINET I-Device for connecting the CPU as an intelligent PROFINET device under a SIMATIC or non-Siemens PROFINET IO controller
- OPC UA server and client as runtime option for the easy connection of SIMATIC S7-1500 to third-party devices/ systems with the functions:
 - OPC UA Data Access
 - OPC UA Security
 - OPC UA Methods Call
 - Support of OPC UA Companion specifications.
- Central and distributed isochronous mode
- Integrated motion control functionalities for controlling speed-controlled, positioning and synchronized axes (gearing and camming), support for external encoders, output cams/cam tracks and probes.

Technology object for controlling kinematics with up to 4 interpolating axes, e.g. Cartesian portal, delta picker, roll picker, articulated arm, cylindrical robot, tripod picker and SCARA.

User-defined kinematics are also supported.
- Integrated web server for diagnostics with the option of creating user-defined web pages

Note:

SIMATIC Memory Card required for operation of the CPU.

Overview CPU 1511TF-1 PN



- Entry-level CPU in the S7-1500T Controller product range
- Suitable for standard and fail-safe applications with medium requirements for program scope and processing speed
- Used as central controller in production lines with central and distributed I/O
- Can be used for safety functions up to SIL 3 according to IEC 61508 and up to PLe according to ISO 13849
- PROFINET IO IRT interface with 2-port switch
- PROFINET IO controller for operating distributed I/O on PROFINET
- PROFINET I-Device for connecting the CPU as an intelligent PROFINET device under a SIMATIC or non-Siemens PROFINET IO controller
- OPC UA server and client as runtime option for the easy connection of SIMATIC S7-1500 to third-party devices/ systems with the functions:
 - OPC UA Data Access,
 - OPC UA Security,
 - OPC UA Methods Call,
 - Support of OPC UA Companion specifications.
- Isochronous mode centrally and distributed
- Integrated motion control functionalities for controlling speed-controlled, positioning and synchronized axes (gearing and camming), support for external encoders, output cams/cam tracks and probes.

Technology object for controlling kinematics with up to 4 interpolating axes, e.g. Cartesian portal, delta picker, roll picker, articulated arm, cylindrical robot, tripod picker and SCARA.

User-defined kinematics are also supported.
- Integrated web server for diagnostics with the option of creating user-defined web pages

Note:

SIMATIC memory card required for operation of the CPU.

SIMATIC S7-1500 Advanced Controllers

Central processing units

Technology CPUs

Overview CPU 1515T-2 PN



- The CPU for applications with medium to high requirements regarding program/data storage in the S7-1500T Controller product range
- Medium to high processing speed for binary and floating-point arithmetic
- Used as central controller in production lines with central and distributed I/O
- PROFINET IO IRT interface with 2-port switch
- PROFINET IO controller for operating distributed I/O on PROFINET
- PROFINET I-Device for connecting the CPU as an intelligent PROFINET device under a SIMATIC or non-Siemens PROFINET IO controller
- Additional PROFINET interface with separate IP address for network separation, for connecting further PROFINET IO RT devices, or for high-speed communication as an I-Device
- OPC UA server and client as runtime option for the easy connection of SIMATIC S7-1500 to third-party devices/ systems with the functions:
 - OPC UA Data Access,
 - OPC UA Security,
 - OPC UA Methods Call,
 - Support of OPC UA Companion specifications.
- Isochronous mode centrally and distributed
- Integrated motion control functionalities for controlling speed-controlled, positioning and synchronized axes (gearing and camming), support for external encoders, output cams/cam tracks and probes. Technology object for controlling kinematics with up to 4 interpolating axes, e.g. Cartesian portal, delta picker, roll picker, articulated arm, cylindrical robot, tripod picker and SCARA. User-defined kinematics are also supported.
- Integrated web server for diagnostics with the option of creating user-defined web pages

Note:

SIMATIC memory card required for operation of the CPU.

Overview CPU 1515TF-2 PN



- The CPU for standard and fail-safe applications with medium to high requirements regarding program/data storage in the S7-1500T Controller product range
- Medium to high processing speed for binary and floating-point arithmetic
- Used as central controller in production lines with central and distributed I/O
- Can be used for safety functions up to SIL 3 according to IEC 61508 and up to PLe according to ISO 13849
- PROFINET IO IRT interface with 2-port switch
- PROFINET IO controller for operating distributed I/O on PROFINET
- PROFINET I-Device for connecting the CPU as an intelligent PROFINET device under a SIMATIC or non-Siemens PROFINET IO controller
- Additional PROFINET interface with separate IP address for network separation, for connecting further PROFINET IO RT devices, or for high-speed communication as an I-Device
- OPC UA server and client as runtime option for the easy connection of SIMATIC S7-1500 to third-party devices/ systems with the functions:
 - OPC UA Data Access,
 - OPC UA Security,
 - OPC UA Methods Call,
 - Support of OPC UA Companion specifications.
- Isochronous mode centrally and distributed
- Integrated motion control functionalities for controlling speed-controlled, positioning and synchronized axes (gearing and camming), support for external encoders, output cams/cam tracks and probes. Technology object for controlling kinematics with up to 4 interpolating axes, e.g. Cartesian portal, delta picker, roll picker, articulated arm, cylindrical robot, tripod picker and SCARA. User-defined kinematics are also supported.
- Integrated web server for diagnostics with the option of creating user-defined web pages

Note:

SIMATIC memory card required for operation of the CPU.

Overview CPU 1516T-3 PN/DP



- The CPU with a very large program and data memory in the S7-1500 controller product range for applications with high requirements regarding program scope and networking.
- High processing speed for binary and floating-point arithmetic
- For cross-industry automation tasks in series machines, special machines and plant construction
- Used as central controller in production lines with central and distributed I/O
- PROFINET IO IRT interface with 2-port switch
- PROFINET IO controller for operating distributed I/O on PROFINET.
- PROFINET I-Device for connecting the CPU as an intelligent PROFINET device under a SIMATIC or non-Siemens PROFINET IO controller.
- Additional PROFINET interface with separate IP address for network separation, for connecting further PROFINET IO RT devices, or for high-speed communication as an I-Device
- PROFIBUS DP master interface
- OPC UA server and client as runtime option for the easy connection of SIMATIC S7-1500 to third-party devices/ systems with the functions:
 - OPC UA Data Access,
 - OPC UA Security,
 - OPC UA Methods Call,
 - Support of OPC UA Companion specifications.
- Isochronous mode centrally and distributed on PROFIBUS and PROFINET
- Integrated motion control functionalities for controlling speed-controlled, positioning and synchronized axes (gearing and camming), support for external encoders, output cams/cam tracks and probes. Technology object for controlling kinematics with up to 4 interpolating axes, e.g. Cartesian portal, delta picker, roll picker, articulated arm, cylindrical robot, tripod picker and SCARA. User-defined kinematics are also supported.
- Integrated web server for diagnostics with the option of creating user-defined web pages

Note:

SIMATIC memory card required for operation of the CPU.

Overview CPU 1516TF-3 PN/DP



- The CPU with a large program and data memory in the S7-1500 controller product range for standard and fail-safe applications with high requirements regarding program scope and networking.
- Can be used for safety functions up to SIL 3 according to IEC 61508 and up to PLe according to ISO 13849
- High processing speed for binary and floating-point arithmetic
- For cross-industry automation tasks in series machines, special machines and plant construction
- Used as central controller in production lines with central and distributed I/O
- PROFINET IO IRT interface with 2-port switch
- PROFINET IO controller for operating distributed I/O on PROFINET
- PROFINET I-Device for connecting the CPU as an intelligent PROFINET device under a SIMATIC or non-Siemens PROFINET IO controller
- Additional PROFINET interface with separate IP address for network separation, for connecting further PROFINET IO RT devices, or for high-speed communication as an I-Device
- PROFIBUS DP master interface
- OPC UA server and client as runtime option for the easy connection of SIMATIC S7-1500 to third-party devices/ systems with the functions:
 - OPC UA Data Access
 - OPC UA Security
 - OPC UA Methods Call
 - Support of OPC UA Companion specifications.
- Central and distributed isochronous mode on PROFIBUS and PROFINET
- Integrated motion control functionalities for controlling speed-controlled, positioning and synchronized axes (gearing and camming), support for external encoders, output cams/cam tracks and probes. Technology object for controlling kinematics with up to 4 interpolating axes, e.g. Cartesian portal, delta picker, roll picker, articulated arm, cylindrical robot, tripod picker and SCARA. User-defined kinematics are also supported.
- Integrated web server for diagnostics with the option of creating user-defined web pages

Note:

SIMATIC memory card required for operation of the CPU.

SIMATIC S7-1500 Advanced Controllers

Central processing units

Technology CPUs

Overview CPU 1517T-3 PN/DP



Overview CPU 1517TF-3 PN/DP



- The CPU with a very large program and data memory in the S7-1500 controller product range for applications with high requirements regarding program scope and networking.
- High processing speed for binary and floating-point arithmetic
- For cross-industry automation tasks in series machines, special machines and plant construction
- Used as central controller in production lines with central and distributed I/O
- PROFINET IO IRT interface with 2-port switch
- PROFINET IO controller for operating distributed I/O on PROFINET.
- PROFINET I-Device for connecting the CPU as an intelligent PROFINET device under a SIMATIC or non-Siemens PROFINET IO controller.
- Additional PROFINET interface with separate IP address for network separation, for connecting further PROFINET IO RT devices, or for high-speed communication as an I-Device
- PROFIBUS DP master interface
- OPC UA server and client as runtime option for the easy connection of SIMATIC S7-1500 to third-party devices/ systems with the functions:
 - OPC UA Data Access,
 - OPC UA Security,
 - OPC UA Methods Call,
 - Support of OPC UA Companion specifications.
- Isochronous mode centrally and distributed on PROFIBUS and PROFINET
- Integrated motion control functionalities for controlling speed-controlled, positioning and synchronized axes (gearing and camming), support for external encoders, output cams/cam tracks and probes. Technology object for controlling kinematics with up to 4 interpolating axes, e.g. Cartesian portal, delta picker, roll picker, articulated arm, cylindrical robot, tripod picker and SCARA. User-defined kinematics are also supported.
- Integrated web server for diagnostics with the option of creating user-defined web pages

Note:

SIMATIC memory card required for operation of the CPU.

- The CPU with a very large program and data memory in the S7-1500 controller product range for failsafe applications with high requirements regarding program scope and networking.
- Can be used for safety functions up to SIL 3 according to IEC 61508 and up to PLe according to ISO 13849
- High processing speed for binary and floating-point arithmetic
- For cross-industry automation tasks in series machines, special machines and plant construction
- Used as central controller in production lines with central and distributed I/O
- PROFINET IO IRT interface with 2-port switch
- PROFINET IO controller for operating distributed I/O on PROFINET.
- PROFINET I-Device for connecting the CPU as an intelligent PROFINET device under a SIMATIC or non-Siemens PROFINET IO controller.
- Additional PROFINET interface with separate IP address for network separation, for connecting further PROFINET IO RT devices, or for high-speed communication as an I-Device
- PROFIBUS DP master interface
- OPC UA server and client as runtime option for the easy connection of SIMATIC S7-1500 to third-party devices/ systems with the functions:
 - OPC UA Data Access,
 - OPC UA Security,
 - OPC UA Methods Call,
 - Support of OPC UA Companion specifications.
- Isochronous mode centrally and distributed on PROFIBUS and PROFINET
- Integrated motion control functionalities for controlling speed-controlled, positioning and synchronized axes (gearing and camming), support for external encoders, output cams/cam tracks and probes. Technology object for controlling kinematics with up to 4 interpolating axes, e.g. Cartesian portal, delta picker, roll picker, articulated arm, cylindrical robot, tripod picker and SCARA. User-defined kinematics are also supported.
- Integrated web server for diagnostics with the option of creating user-defined web pages

Note:

SIMATIC memory card required for operation of the CPU.

Technical specifications

Article number	6ES7511-1TK01-0AB0 CPU 1511T-1PN, 225KB progr., 1MB data	6ES7515-2TM01-0AB0 CPU 1515T-2 PN, 750KB progr, 3MB data	6ES7516-3TN00-0AB0 CPU 1516T-3 PN/DP, 1.5MB prog./5MB data	6ES7517-3TP00-0AB0 CPU 1517T-3 PN/DP, 3MB prog./8MB data
General information				
Product type designation	CPU 1511T-1 PN	CPU 1515T-2 PN	CPU 1516T-3 PN/DP	CPU 1517T-3 PN/DP
Engineering with				
• STEP 7 TIA Portal configurable/ integrated as of version	V15.1 (FW V2.6)/V14 (FW V2.0) or higher	V15.1 (FW V2.6)/V14 (FW V2.0) or higher	V15.1 (FW V2.6) / V15 (FW V2.5) or higher	V15.1 (FW V2.6)/V14 (FW V2.0) or higher
Display				
Screen diagonal [cm]	3.45 cm	6.1 cm	6.1 cm	6.1 cm
Supply voltage				
Type of supply voltage	24 V DC	24 V DC	24 V DC	24 V DC
Memory				
Work memory				
• integrated (for program)	225 kbyte	750 kbyte	1.5 Mbyte	3 Mbyte
• integrated (for data)	1 Mbyte	3 Mbyte	5 Mbyte	8 Mbyte
Load memory				
• Plug-in (SIMATIC memory card), max.	32 Gbyte	32 Gbyte	32 Gbyte	32 Gbyte
CPU processing times				
for bit operations, typ.	60 ns	30 ns	10 ns	2 ns
for word operations, typ.	72 ns	36 ns	12 ns	3 ns
for fixed point arithmetic, typ.	96 ns	48 ns	16 ns	3 ns
for floating point arithmetic, typ.	384 ns	192 ns	64 ns	12 ns
Counters, timers and their retentivity				
S7 counter				
• Number	2 048	2 048	2 048	2 048
IEC counter				
• Number	Any (only limited by the main memory)	Any (only limited by the main memory)	Any (only limited by the main memory)	Any (only limited by the main memory)
S7 times				
• Number	2 048	2 048	2 048	2 048
IEC timer				
• Number	Any (only limited by the main memory)	Any (only limited by the main memory)	Any (only limited by the main memory)	Any (only limited by the main memory)
Data areas and their retentivity				
Flag				
• Number, max.	16 kbyte	16 kbyte	16 kbyte	16 kbyte
Address area				
I/O address area				
• Inputs	32 kbyte; All inputs are in the process image	32 kbyte; All inputs are in the process image	32 kbyte; All inputs are in the process image	32 kbyte; All inputs are in the process image
• Outputs	32 kbyte; All outputs are in the process image	32 kbyte; All outputs are in the process image	32 kbyte; All outputs are in the process image	32 kbyte; All outputs are in the process image
Time of day				
Clock				
• Type	Hardware clock	Hardware clock	Hardware clock	Hardware clock
1. Interface				
Interface types				
• Number of ports	2	2	2	2
• integrated switch	Yes	Yes	Yes	Yes
• RJ 45 (Ethernet)	Yes; X1	Yes; X1	Yes; X1	Yes; X1
Protocols				
• IP protocol	Yes; IPv4	Yes; IPv4	Yes; IPv4	Yes; IPv4
• PROFINET IO controller	Yes	Yes	Yes	Yes
• PROFINET IO Device	Yes	Yes	Yes	Yes
• SIMATIC communication	Yes	Yes	Yes	Yes
• Open IE communication	Yes	Yes	Yes	Yes
• Web server	Yes	Yes	Yes	Yes
• Media redundancy	Yes; MRP Automanager according to IEC 62439-2 Edition 2.0	Yes; MRP Automanager according to IEC 62439-2 Edition 2.0	Yes; MRP Automanager according to IEC 62439-2 Edition 2.0	Yes; MRP Automanager according to IEC 62439-2 Edition 2.0

SIMATIC S7-1500 Advanced Controllers

Central processing units

Technology CPUs

Technical specifications (continued)

Article number	6ES7511-1TK01-0AB0 CPU 1511T-1PN, 225KB progr., 1MB data	6ES7515-2TM01-0AB0 CPU 1515T-2 PN, 750KB progr, 3MB data	6ES7516-3TN00-0AB0 CPU 1516T-3 PN/DP, 1.5MB prog./5MB data	6ES7517-3TP00-0AB0 CPU 1517T-3 PN/DP, 3MB prog./8MB data
PROFINET IO controller				
Services				
- PG/OP communication	Yes	Yes	Yes	Yes
- S7 routing	Yes	Yes	Yes	Yes
- Isochronous mode	Yes	Yes	Yes	Yes
- Open IE communication	Yes	Yes	Yes	Yes
- IRT	Yes	Yes	Yes	Yes
- MRP	Yes; As MRP redundancy manager and/or MRP client; max. number of devices in the ring: 50	Yes; As MRP redundancy manager and/or MRP client; max. number of devices in the ring: 50	Yes; As MRP redundancy manager and/or MRP client; max. number of devices in the ring: 50	Yes; As MRP redundancy manager and/or MRP client; max. number of devices in the ring: 50
- MRPD	Yes; Requirement: IRT	Yes; Requirement: IRT	Yes; Requirement: IRT	Yes; Requirement: IRT
- PROFinergy	Yes	Yes	Yes	Yes
- Prioritized startup	Yes; Max. 32 PROFINET devices	Yes; Max. 32 PROFINET devices	Yes; Max. 32 PROFINET devices	Yes; Max. 32 PROFINET devices
- Number of connectable IO Devices, max.	128; In total, up to 256 distributed I/O devices can be connected via AS-I, PROFIBUS or PROFINET	256; In total, up to 1 000 distributed I/O devices can be connected via AS-I, PROFIBUS or PROFINET	256; In total, up to 1 000 distributed I/O devices can be connected via AS-I, PROFIBUS or PROFINET	512; In total, up to 1 000 distributed I/O devices can be connected via AS-I, PROFIBUS or PROFINET
- Of which IO devices with IRT, max.	64	64	64	64
- Number of connectable IO Devices for RT, max.	128	256	256	512
- of which in line, max.	128	256	256	512
- Number of IO Devices that can be simultaneously activated/deactivated, max.	8; in total across all interfaces	8; in total across all interfaces	8; in total across all interfaces	8; in total across all interfaces
- Number of IO Devices per tool, max.	8	8	8	8
- Updating times	The minimum value of the update time also depends on communication share set for PROFINET IO, on the number of IO devices, and on the quantity of configured user data	The minimum value of the update time also depends on communication share set for PROFINET IO, on the number of IO devices, and on the quantity of configured user data	The minimum value of the update time also depends on communication share set for PROFINET IO, on the number of IO devices, and on the quantity of configured user data	The minimum value of the update time also depends on communication share set for PROFINET IO, on the number of IO devices, and on the quantity of configured user data
Update time for IRT				
- for send cycle of 250 µs	250 µs to 4 ms; Note: In the case of IRT with isochronous mode, the minimum update time of 625 µs of the isochronous OB is decisive	250 µs to 4 ms; Note: In the case of IRT with isochronous mode, the minimum update time of 500 µs of the isochronous OB is decisive	250 µs to 4 ms; Note: In the case of IRT with isochronous mode, the minimum update time of 500 µs of the isochronous OB is decisive	250 µs to 4 ms
- for send cycle of 500 µs	500 µs to 8 ms; Note: In the case of IRT with isochronous mode, the minimum update time of 625 µs of the isochronous OB is decisive	500 µs to 8 ms	500 µs to 8 ms	500 µs to 8 ms
- for send cycle of 1 ms	1 ms to 16 ms	1 ms to 16 ms	1 ms to 16 ms	1 ms to 16 ms
- for send cycle of 2 ms	2 ms to 32 ms	2 ms to 32 ms	2 ms to 32 ms	2 ms to 32 ms
- for send cycle of 4 ms	4 ms to 64 ms	4 ms to 64 ms	4 ms to 64 ms	4 ms to 64 ms
- With IRT and parameterization of "odd" send cycles	Update time = set "odd" send clock (any multiple of 125 µs: 375 µs, 625 µs ... 3 875 µs)	Update time = set "odd" send clock (any multiple of 125 µs: 375 µs, 625 µs ... 3 875 µs)	Update time = set "odd" send clock (any multiple of 125 µs: 375 µs, 625 µs ... 3 875 µs)	Update time = set "odd" send clock (any multiple of 125 µs: 375 µs, 625 µs ... 3 875 µs)
Update time for RT				
- for send cycle of 250 µs	250 µs to 128 ms	250 µs to 128 ms	250 µs to 128 ms	250 µs to 128 ms
- for send cycle of 500 µs	500 µs to 256 ms	500 µs to 256 ms	500 µs to 256 ms	500 µs to 256 ms
- for send cycle of 1 ms	1 ms to 512 ms	1 ms to 512 ms	1 ms to 512 ms	1 ms to 512 ms
- for send cycle of 2 ms	2 ms to 512 ms	2 ms to 512 ms	2 ms to 512 ms	2 ms to 512 ms
- for send cycle of 4 ms	4 ms to 512 ms	4 ms to 512 ms	4 ms to 512 ms	4 ms to 512 ms

Technical specifications (continued)

Article number	6ES7511-1TK01-0AB0 CPU 1511T-1PN, 225KB progr., 1MB data	6ES7515-2TM01-0AB0 CPU 1515T-2 PN, 750KB progr, 3MB data	6ES7516-3TN00-0AB0 CPU 1516T-3 PN/DP, 1.5MB prog./5MB data	6ES7517-3TP00-0AB0 CPU 1517T-3 PN/DP, 3MB prog./8MB data
PROFINET IO Device				
Services				
- PG/OP communication	Yes	Yes	Yes	Yes
- S7 routing	Yes	Yes	Yes	Yes
- Isochronous mode	No	No	No	No
- Open IE communication	Yes	Yes	Yes	Yes
- IRT	Yes	Yes	Yes	Yes
- MRP	Yes; As MRP redundancy manager and/or MRP client; max. number of devices in the ring: 50	Yes; As MRP redundancy manager and/or MRP client; max. number of devices in the ring: 50	Yes; As MRP redundancy manager and/or MRP client; max. number of devices in the ring: 50	Yes; As MRP redundancy manager and/or MRP client; max. number of devices in the ring: 50
- MRPD	Yes; Requirement: IRT	Yes; Requirement: IRT	Yes; Requirement: IRT	Yes; Requirement: IRT
- PROFinergy	Yes	Yes	Yes	Yes
- Shared device	Yes	Yes	Yes	Yes
- Number of IO controllers with shared device, max.	4	4	4	4
- Asset management record	Yes; Per user program	Yes; Per user program	Yes; Per user program	Yes; Per user program
2. Interface				
Interface types				
• Number of ports		1	1	1
• integrated switch		No	No	No
• RJ 45 (Ethernet)		Yes; X2	Yes; X2	Yes; X2
Protocols				
• IP protocol		Yes; IPv4	Yes; IPv4	Yes; IPv4
• PROFINET IO controller		Yes	Yes	Yes
• PROFINET IO Device		Yes	Yes	Yes
• SIMATIC communication		Yes	Yes	Yes
• Open IE communication		Yes	Yes	Yes
• Web server		Yes	Yes	Yes
• Media redundancy		No	No	No
PROFINET IO controller				
Services				
- PG/OP communication		Yes	Yes	Yes
- S7 routing		Yes	Yes	Yes
- Isochronous mode		No	No	No
- Open IE communication		Yes	Yes	Yes
- IRT		No	No	No
- MRP		No	No	No
- MRPD		No	No	No
- PROFinergy		Yes	Yes	Yes
- Prioritized startup		No	No	No
- Number of connectable IO Devices, max.		32; In total, up to 1 000 distributed I/O devices can be connected via AS-i, PROFIBUS or PROFINET	32; In total, up to 1 000 distributed I/O devices can be connected via AS-i, PROFIBUS or PROFINET	128; In total, up to 1 000 distributed I/O devices can be connected via AS-i, PROFIBUS or PROFINET
- Number of connectable IO Devices for RT, max.		32	32	128
- of which in line, max.		32	32	128
- Number of IO Devices that can be simultaneously activated/deactivated, max.		8; in total across all interfaces	8; in total across all interfaces	8; in total across all interfaces
- Number of IO Devices per tool, max.		8	8	8
- Updating times		The minimum value of the update time also depends on communication share set for PROFINET IO, on the number of IO devices, and on the quantity of configured user data	The minimum value of the update time also depends on communication share set for PROFINET IO, on the number of IO devices, and on the quantity of configured user data	The minimum value of the update time also depends on communication share set for PROFINET IO, on the number of IO devices, and on the quantity of configured user data

SIMATIC S7-1500 Advanced Controllers

Central processing units

Technology CPUs

Technical specifications (continued)

Article number	6ES7511-1TK01-0AB0 CPU 1511T-1PN, 225KB progr., 1MB data	6ES7515-2TM01-0AB0 CPU 1515T-2 PN, 750KB progr, 3MB data	6ES7516-3TN00-0AB0 CPU 1516T-3 PN/DP, 1.5MB prog./5MB data	6ES7517-3TP00-0AB0 CPU 1517T-3 PN/DP, 3MB prog./8MB data
Update time for RT				
- for send cycle of 1 ms		1 ms to 512 ms	1 ms to 512 ms	1 ms to 512 ms
PROFINET IO Device				
Services				
- PG/OP communication		Yes	Yes	Yes
- S7 routing		Yes	Yes	Yes
- Isochronous mode		No	No	No
- Open IE communication		Yes	Yes	Yes
- IRT		No	No	No
- MRP		No	No	No
- MRPD		No	No	No
- PROFinergy		Yes	Yes	Yes
- Prioritized startup		No	No	No
- Shared device		Yes	Yes	Yes
- Number of IO controllers with shared device, max.		4	4	4
- Asset management record		Yes; Per user program	Yes; Per user program	Yes; Per user program
3. Interface				
Interface types				
• Number of ports			1	1
• RS 485			Yes; X3	Yes; X3
Protocols				
• PROFIBUS DP master			Yes	Yes
• PROFIBUS DP slave			No	No
• SIMATIC communication			Yes	Yes
Protocols				
Number of connections				
• Number of connections, max.	96; via integrated interfaces of the CPU and connected CPs / CMs	192; via integrated interfaces of the CPU and connected CPs / CMs	256; via integrated interfaces of the CPU and connected CPs / CMs	320; via integrated interfaces of the CPU and connected CPs / CMs
PROFINET IO controller				
Services				
- Number of connectable IO Devices, max.	128; In total, up to 256 distributed I/O devices can be connected via AS-i, PROFIBUS or PROFINET			
- Of which IO devices with IRT, max.	64			
- Number of connectable IO Devices for RT, max.	128			
PROFIBUS DP master				
Services				
- Number of DP slaves			125; In total, up to 1 000 distributed I/O devices can be connected via AS-i, PROFIBUS or PROFINET	125; In total, up to 1 000 distributed I/O devices can be connected via AS-i, PROFIBUS or PROFINET
OPC UA				
• OPC UA client	Yes	Yes	Yes	Yes
• OPC UA server	Yes; Data access (read, write, subscribe), method call, custom address space	Yes; Data access (read, write, subscribe), method call, custom address space	Yes; Data access (read, write, subscribe), method call, custom address space	Yes; Data access (read, write, subscribe), method call, custom address space
Isochronous mode				
Isochronous operation (application synchronized up to terminal)	Yes; Distributed and central; with minimum OB 6x cycle of 625 µs (distributed) and 1 ms (central)	Yes; Distributed and central; with minimum OB 6x cycle of 500 µs (distributed) and 1 ms (central)	Yes; Distributed and central; with minimum OB 6x cycle of 375 µs (distributed) and 1 ms (central)	Yes; Distributed and central; with minimum OB 6x cycle of 250 µs (distributed) and 1 ms (central)

Technical specifications (continued)

Article number	6ES7511-1TK01-0AB0 CPU 1511T-1PN, 225KB progr., 1MB data	6ES7515-2TM01-0AB0 CPU 1515T-2 PN, 750KB progr, 3MB data	6ES7516-3TN00-0AB0 CPU 1516T-3 PN/DP, 1.5MB prog./5MB data	6ES7517-3TP00-0AB0 CPU 1517T-3 PN/DP, 3MB prog./8MB data
Supported technology objects				
Motion control	Yes; Note: The number of technology objects affects the cycle time of the PLC program; selection guide via the TIA Selection Tool or SIZER	Yes; Note: The number of technology objects affects the cycle time of the PLC program; selection guide via the TIA Selection Tool or SIZER	Yes; Note: The number of technology objects affects the cycle time of the PLC program; selection guide via the TIA Selection Tool or SIZER	Yes; Note: The number of technology objects affects the cycle time of the PLC program; selection guide via the TIA Selection Tool or SIZER
• Number of available motion control resources for technology objects (except cam disks)	800	2 400	6 400	10 240
• Required motion control resources				
- per speed-controlled axis	40	40	40	40
- per positioning axis	80	80	80	80
- per synchronous axis	160	160	160	160
- per external encoder	80	80	80	80
- per output cam	20	20	20	20
- per cam track	160	160	160	160
- per probe	40	40	40	40
• Number of available Extended motion control resources for technology objects	40	120	192	256
• Required Extended motion control resources				
- for each cam	2	2	2	2
- for each set of kinematics	30	30	30	30
Controller				
• PID_Compact	Yes; Universal PID controller with integrated optimization	Yes; Universal PID controller with integrated optimization	Yes; Universal PID controller with integrated optimization	Yes; Universal PID controller with integrated optimization
• PID_3Step	Yes; PID controller with integrated optimization for valves	Yes; PID controller with integrated optimization for valves	Yes; PID controller with integrated optimization for valves	Yes; PID controller with integrated optimization for valves
• PID-Temp	Yes; PID controller with integrated optimization for temperature	Yes; PID controller with integrated optimization for temperature	Yes; PID controller with integrated optimization for temperature	Yes; PID controller with integrated optimization for temperature
Counting and measuring				
• High-speed counter	Yes	Yes	Yes	Yes
Ambient conditions				
Ambient temperature during operation				
• horizontal installation, min.	0 °C	0 °C	0 °C	0 °C
• horizontal installation, max.	60 °C; Display: 50 °C, at an operating temperature of typically 50 °C, the display is switched off	60 °C; Display: 50 °C, at an operating temperature of typically 50 °C, the display is switched off	60 °C; Display: 50 °C, at an operating temperature of typically 50 °C, the display is switched off	60 °C; Display: 50 °C, at an operating temperature of typically 50 °C, the display is switched off
• vertical installation, min.	0 °C	0 °C	0 °C	0 °C
• vertical installation, max.	40 °C; Display: 40 °C, at an operating temperature of typically 40 °C, the display is switched off	40 °C; Display: 40 °C, at an operating temperature of typically 40 °C, the display is switched off	40 °C; Display: 40 °C, at an operating temperature of typically 40 °C, the display is switched off	40 °C; Display: 40 °C, at an operating temperature of typically 40 °C, the display is switched off
Configuration				
Programming				
Programming language				
- LAD	Yes	Yes	Yes	Yes
- FBD	Yes	Yes	Yes	Yes
- STL	Yes	Yes	Yes	Yes
- SCL	Yes	Yes	Yes	Yes
- GRAPH	Yes	Yes	Yes	Yes
Know-how protection				
• User program protection/password protection	Yes	Yes	Yes	Yes
• Copy protection	Yes	Yes	Yes	Yes
• Block protection	Yes	Yes	Yes	Yes

SIMATIC S7-1500 Advanced Controllers

Central processing units

Technology CPUs

Technical specifications (continued)

Article number	6ES7511-1TK01-0AB0 CPU 1511T-1PN, 225KB progr., 1MB data	6ES7515-2TM01-0AB0 CPU 1515T-2 PN, 750KB progr, 3MB data	6ES7516-3TN00-0AB0 CPU 1516T-3 PN/DP, 1.5MB prog./5MB data	6ES7517-3TP00-0AB0 CPU 1517T-3 PN/DP, 3MB prog./8MB data
Access protection				
• Password for display	Yes	Yes	Yes	Yes
• Protection level: Write protection	Yes	Yes	Yes	Yes
• Protection level: Read/write protection	Yes	Yes	Yes	Yes
• Protection level: Complete protection	Yes	Yes	Yes	Yes
Dimensions				
Width	35 mm	70 mm	175 mm	175 mm
Height	147 mm	147 mm	147 mm	147 mm
Depth	129 mm	129 mm	129 mm	129 mm
Weights				
Weight, approx.	430 g	830 g	1 978 g	1 978 g
Article number	6ES7511-1UK01-0AB0 CPU 1511TF-1PN, 225KB progr., 1MB data	6ES7515-2UM01-0AB0 CPU 1515TF-2 PN, 750KB progr, 3MB data	6ES7516-3UN00-0AB0 CPU 1516TF-3 PN/DP, 1.5MB prog./5MB data	6ES7517-3UP00-0AB0 CPU 1517TF-3 PN/DP, 3MB prog., 8MB data
General information				
Product type designation	CPU 1511TF-1 PN	CPU 1515TF-2 PN	CPU 1516TF-3 PN/DP	CPU 1517TF-3 PN/DP
Engineering with				
• STEP 7 TIA Portal configurable/ integrated as of version	V15.1 (FW V2.6) / V14 SP1 (FW V2.1) or higher	V15.1 (FW V2.6) / V14 SP1 (FW V2.1) or higher	V15.1 (FW V2.6) / V15 (FW V2.5) or higher	V15.1 (FW V2.6)/V14 (FW V2.0) or higher
Display				
Screen diagonal [cm]	3.45 cm	6.1 cm	6.1 cm	6.1 cm
Supply voltage				
Type of supply voltage	24 V DC	24 V DC	24 V DC	24 V DC
Memory				
Work memory				
• integrated (for program)	225 kbyte	750 kbyte	1.5 Mbyte	3 Mbyte
• integrated (for data)	1 Mbyte	3 Mbyte	5 Mbyte	8 Mbyte
Load memory				
• Plug-in (SIMATIC memory card), max.	32 Gbyte	32 Gbyte	32 Gbyte	32 Gbyte
CPU processing times				
for bit operations, typ.	60 ns	30 ns	10 ns	2 ns
for word operations, typ.	72 ns	36 ns	12 ns	3 ns
for fixed point arithmetic, typ.	96 ns	48 ns	16 ns	3 ns
for floating point arithmetic, typ.	384 ns	192 ns	64 ns	12 ns
Counters, timers and their retentivity				
S7 counter				
• Number	2 048	2 048	2 048	2 048
IEC counter				
• Number	Any (only limited by the main memory)	Any (only limited by the main memory)	Any (only limited by the main memory)	Any (only limited by the main memory)
S7 times				
• Number	2 048	2 048	2 048	2 048
IEC timer				
• Number	Any (only limited by the main memory)	Any (only limited by the main memory)	Any (only limited by the main memory)	Any (only limited by the main memory)
Data areas and their retentivity				
Flag				
• Number, max.	16 kbyte	16 kbyte	16 kbyte	16 kbyte
Address area				
I/O address area				
• Inputs	32 kbyte; All inputs are in the process image	32 kbyte; All inputs are in the process image	32 kbyte; All inputs are in the process image	32 kbyte; All inputs are in the process image
• Outputs	32 kbyte; All outputs are in the process image	32 kbyte; All outputs are in the process image	32 kbyte; All outputs are in the process image	32 kbyte; All outputs are in the process image

Technical specifications (continued)

Article number	6ES7511-1UK01-0AB0 CPU 1511TF-1PN, 225KB progr., 1MB data	6ES7515-2UM01-0AB0 CPU 1515TF-2 PN, 750KB progr, 3MB data	6ES7516-3UN00-0AB0 CPU 1516TF-3 PN/DP, 1.5MB prog./5MB data	6ES7517-3UP00-0AB0 CPU 1517TF-3 PN/DP, 3MB prog., 8MB data
Time of day				
Clock				
• Type	Hardware clock	Hardware clock	Hardware clock	Hardware clock
1. Interface				
Interface types				
• Number of ports	2	2	2	2
• integrated switch	Yes	Yes	Yes	Yes
• RJ 45 (Ethernet)	Yes; X1	Yes; X1	Yes; X1	Yes; X1
Protocols				
• IP protocol	Yes; IPv4	Yes; IPv4	Yes; IPv4	Yes; IPv4
• PROFINET IO controller	Yes	Yes	Yes	Yes
• PROFINET IO Device	Yes	Yes	Yes	Yes
• SIMATIC communication	Yes	Yes	Yes	Yes
• Open IE communication	Yes	Yes	Yes	Yes
• Web server	Yes	Yes	Yes	Yes
• Media redundancy	Yes; MRP Automanager according to IEC 62439-2 Edition 2.0	Yes; MRP Automanager according to IEC 62439-2 Edition 2.0	Yes; MRP Automanager according to IEC 62439-2 Edition 2.0	Yes; MRP Automanager according to IEC 62439-2 Edition 2.0
PROFINET IO controller				
Services				
- PG/OP communication	Yes	Yes	Yes	Yes
- S7 routing	Yes	Yes	Yes	Yes
- Isochronous mode	Yes	Yes	Yes	Yes
- Open IE communication	Yes	Yes	Yes	Yes
- IRT	Yes	Yes	Yes	Yes
- MRP	Yes; As MRP redundancy manager and/or MRP client; max. number of devices in the ring: 50	Yes; As MRP redundancy manager and/or MRP client; max. number of devices in the ring: 50	Yes; As MRP redundancy manager and/or MRP client; max. number of devices in the ring: 50	Yes; As MRP redundancy manager and/or MRP client; max. number of devices in the ring: 50
- MRPD	Yes; Requirement: IRT	Yes; Requirement: IRT	Yes; Requirement: IRT	Yes; Requirement: IRT
- PROFlenergy	Yes	Yes	Yes	Yes
- Prioritized startup	Yes; Max. 32 PROFINET devices	Yes; Max. 32 PROFINET devices	Yes; Max. 32 PROFINET devices	Yes; Max. 32 PROFINET devices
- Number of connectable IO Devices, max.	128; In total, up to 256 distributed I/O devices can be connected via AS-i, PROFIBUS or PROFINET	256; In total, up to 1 000 distributed I/O devices can be connected via AS-i, PROFIBUS or PROFINET	256; In total, up to 1 000 distributed I/O devices can be connected via AS-i, PROFIBUS or PROFINET	512; In total, up to 1 000 distributed I/O devices can be connected via AS-i, PROFIBUS or PROFINET
- Of which IO devices with IRT, max.	64	64	64	64
- Number of connectable IO Devices for RT, max.	128	256	256	512
- of which in line, max.	128	256	256	512
- Number of IO Devices that can be simultaneously activated/deactivated, max.	8; in total across all interfaces	8; in total across all interfaces	8; in total across all interfaces	8; in total across all interfaces
- Number of IO Devices per tool, max.	8	8	8	8
- Updating times	The minimum value of the update time also depends on communication share set for PROFINET IO, on the number of IO devices, and on the quantity of configured user data	The minimum value of the update time also depends on communication share set for PROFINET IO, on the number of IO devices, and on the quantity of configured user data	The minimum value of the update time also depends on communication share set for PROFINET IO, on the number of IO devices, and on the quantity of configured user data	The minimum value of the update time also depends on communication share set for PROFINET IO, on the number of IO devices, and on the quantity of configured user data

SIMATIC S7-1500 Advanced Controllers

Central processing units

Technology CPUs

Technical specifications (continued)

Article number	6ES7511-1UK01-0AB0 CPU 1511TF-1PN, 225KB progr., 1MB data	6ES7515-2UM01-0AB0 CPU 1515TF-2 PN, 750KB progr, 3MB data	6ES7516-3UN00-0AB0 CPU 1516TF-3 PN/DP, 1.5MB prog./5MB data	6ES7517-3UP00-0AB0 CPU 1517TF-3 PN/DP, 3MB progr., 8MB data
Update time for IRT				
- for send cycle of 250 µs	250 µs to 4 ms; Note: In the case of IRT with isochronous mode, the minimum update time of 625 µs of the isochronous OB is decisive	250 µs to 4 ms; Note: In the case of IRT with isochronous mode, the minimum update time of 500 µs of the isochronous OB is decisive	250 µs to 4 ms; Note: In the case of IRT with isochronous mode, the minimum update time of 500 µs of the isochronous OB is decisive	250 µs to 4 ms
- for send cycle of 500 µs	500 µs to 8 ms; Note: In the case of IRT with isochronous mode, the minimum update time of 625 µs of the isochronous OB is decisive	500 µs to 8 ms	500 µs to 8 ms	500 µs to 8 ms
- for send cycle of 1 ms	1 ms to 16 ms	1 ms to 16 ms	1 ms to 16 ms	1 ms to 16 ms
- for send cycle of 2 ms	2 ms to 32 ms	2 ms to 32 ms	2 ms to 32 ms	2 ms to 32 ms
- for send cycle of 4 ms	4 ms to 64 ms	4 ms to 64 ms	4 ms to 64 ms	4 ms to 64 ms
- With IRT and parameterization of "odd" send cycles	Update time = set "odd" send clock (any multiple of 125 µs: 375 µs, 625 µs ... 3 875 µs)	Update time = set "odd" send clock (any multiple of 125 µs: 375 µs, 625 µs ... 3 875 µs)	Update time = set "odd" send clock (any multiple of 125 µs: 375 µs, 625 µs ... 3 875 µs)	Update time = set "odd" send clock (any multiple of 125 µs: 375 µs, 625 µs ... 3 875 µs)
Update time for RT				
- for send cycle of 250 µs	250 µs to 128 ms	250 µs to 128 ms	250 µs to 128 ms	250 µs to 128 ms
- for send cycle of 500 µs	500 µs to 256 ms	500 µs to 256 ms	500 µs to 256 ms	500 µs to 256 ms
- for send cycle of 1 ms	1 ms to 512 ms	1 ms to 512 ms	1 ms to 512 ms	1 ms to 512 ms
- for send cycle of 2 ms	2 ms to 512 ms	2 ms to 512 ms	2 ms to 512 ms	2 ms to 512 ms
- for send cycle of 4 ms	4 ms to 512 ms	4 ms to 512 ms	4 ms to 512 ms	4 ms to 512 ms
PROFINET IO Device				
Services				
- PG/OP communication	Yes	Yes	Yes	Yes
- S7 routing	Yes	Yes	Yes	Yes
- Isochronous mode	No	No	No	No
- Open IE communication	Yes	Yes	Yes	Yes
- IRT	Yes	Yes	Yes	Yes
- MRP	Yes; As MRP redundancy manager and/or MRP client; max. number of devices in the ring: 50	Yes; As MRP redundancy manager and/or MRP client; max. number of devices in the ring: 50	Yes; As MRP redundancy manager and/or MRP client; max. number of devices in the ring: 50	Yes; As MRP redundancy manager and/or MRP client; max. number of devices in the ring: 50
- MRPD	Yes; Requirement: IRT	Yes; Requirement: IRT	Yes; Requirement: IRT	Yes; Requirement: IRT
- PROFINergy	Yes	Yes	Yes	Yes
- Shared device	Yes	Yes	Yes	Yes
- Number of IO controllers with shared device, max.	4	4	4	4
- Asset management record	Yes; Per user program	Yes; Per user program	Yes; Per user program	Yes; Per user program
2. Interface				
Interface types				
• Number of ports		1	1	1
• integrated switch		No	No	No
• RJ 45 (Ethernet)		Yes; X2	Yes; X2	Yes; X2
Protocols				
• IP protocol		Yes; IPv4	Yes; IPv4	Yes; IPv4
• PROFINET IO controller		Yes	Yes	Yes
• PROFINET IO Device		Yes	Yes	Yes
• SIMATIC communication		Yes	Yes	Yes
• Open IE communication		Yes	Yes	Yes
• Web server		Yes	Yes	Yes
• Media redundancy		No	No	No

Technical specifications (continued)

Article number	6ES7511-1UK01-0AB0 CPU 1511TF-1PN, 225KB progr., 1MB data	6ES7515-2UM01-0AB0 CPU 1515TF-2 PN, 750KB progr, 3MB data	6ES7516-3UN00-0AB0 CPU 1516TF-3 PN/DP, 1.5MB prog./5MB data	6ES7517-3UP00-0AB0 CPU 1517TF-3 PN/DP, 3MB prog., 8MB data
PROFINET IO controller				
Services				
- PG/OP communication		Yes	Yes	Yes
- S7 routing		Yes	Yes	Yes
- Isochronous mode		No	No	No
- Open IE communication		Yes	Yes	Yes
- IRT		No	No	No
- MRP		No	No	No
- MRPD		No	No	No
- PROFlenergy		Yes	Yes	Yes
- Prioritized startup		No	No	No
- Number of connectable IO Devices, max.		32; In total, up to 1 000 distributed I/O devices can be connected via AS-i, PROFIBUS or PROFINET	32; In total, up to 1 000 distributed I/O devices can be connected via AS-i, PROFIBUS or PROFINET	128; In total, up to 1 000 distributed I/O devices can be connected via AS-i, PROFIBUS or PROFINET
- Number of connectable IO Devices for RT, max.		32	32	128
- of which in line, max.		32	32	128
- Number of IO Devices that can be simultaneously activated/deactivated, max.		8; in total across all interfaces	8; in total across all interfaces	8; in total across all interfaces
- Number of IO Devices per tool, max.		8	8	8
- Updating times		The minimum value of the update time also depends on communication share set for PROFINET IO, on the number of IO devices, and on the quantity of configured user data	The minimum value of the update time also depends on communication share set for PROFINET IO, on the number of IO devices, and on the quantity of configured user data	The minimum value of the update time also depends on communication share set for PROFINET IO, on the number of IO devices, and on the quantity of configured user data
Update time for RT				
- for send cycle of 1 ms		1 ms to 512 ms	1 ms to 512 ms	1 ms to 512 ms
PROFINET IO Device				
Services				
- PG/OP communication		Yes	Yes	Yes
- S7 routing		Yes	Yes	Yes
- Isochronous mode		No	No	No
- Open IE communication		Yes	Yes	Yes
- IRT		No	No	No
- MRP		No	No	No
- MRPD		No	No	No
- PROFlenergy		Yes	Yes	Yes
- Prioritized startup		No	No	No
- Shared device		Yes	Yes	Yes
- Number of IO controllers with shared device, max.		4	4	4
- Asset management record		Yes; Per user program	Yes; Per user program	Yes; Per user program
3. Interface				
Interface types				
• Number of ports			1	1
• RS 485			Yes; X3	Yes; X3
Protocols				
• PROFIBUS DP master			Yes	Yes
• PROFIBUS DP slave			No	No
• SIMATIC communication			Yes	Yes
Protocols				
Number of connections				
• Number of connections, max.	96; via integrated interfaces of the CPU and connected CPs / CMs	192; via integrated interfaces of the CPU and connected CPs / CMs	256; via integrated interfaces of the CPU and connected CPs / CMs	320; via integrated interfaces of the CPU and connected CPs / CMs

SIMATIC S7-1500 Advanced Controllers

Central processing units

Technology CPUs

Technical specifications (continued)

Article number	6ES7511-1UK01-0AB0 CPU 1511TF-1PN, 225KB progr., 1MB data	6ES7515-2UM01-0AB0 CPU 1515TF-2 PN, 750KB progr, 3MB data	6ES7516-3UN00-0AB0 CPU 1516TF-3 PN/DP, 1.5MB prog./5MB data	6ES7517-3UP00-0AB0 CPU 1517TF-3 PN/DP, 3MB prog., 8MB data
PROFINET IO controller				
Services				
- Number of connectable IO Devices, max.	128; In total, up to 256 distributed I/O devices can be connected via AS-i, PROFIBUS or PROFINET			
- Of which IO devices with IRT, max.	64			
- Number of connectable IO Devices for RT, max.	128			
PROFIBUS DP master				
Services				
- Number of DP slaves			125; In total, up to 1 000 distributed I/O devices can be connected via AS-i, PROFIBUS or PROFINET	125; In total, up to 1 000 distributed I/O devices can be connected via AS-i, PROFIBUS or PROFINET
OPC UA				
• OPC UA client	Yes	Yes	Yes	Yes
• OPC UA server	Yes; Data access (read, write, subscribe), method call, custom address space	Yes; Data access (read, write, subscribe), method call, custom address space	Yes; Data access (read, write, subscribe), method call, custom address space	Yes; Data access (read, write, subscribe), method call, custom address space
Isochronous mode				
Isochronous operation (application synchronized up to terminal)	Yes; Distributed and central; with minimum OB 6x cycle of 625 µs (distributed) and 1 ms (central)	Yes; Distributed and central; with minimum OB 6x cycle of 500 µs (distributed) and 1 ms (central)	Yes; Distributed and central; with minimum OB 6x cycle of 375 µs (distributed) and 1 ms (central)	Yes; Distributed and central; with minimum OB 6x cycle of 250 µs (distributed) and 1 ms (central)
Supported technology objects				
Motion control	Yes; Note: The number of technology objects affects the cycle time of the PLC program; selection guide via the TIA Selection Tool or SIZER	Yes; Note: The number of technology objects affects the cycle time of the PLC program; selection guide via the TIA Selection Tool or SIZER	Yes; Note: The number of technology objects affects the cycle time of the PLC program; selection guide via the TIA Selection Tool or SIZER	Yes; Note: The number of technology objects affects the cycle time of the PLC program; selection guide via the TIA Selection Tool or SIZER
• Number of available motion control resources for technology objects (except cam disks)	800	2 400	6 400	10 240
• Required motion control resources				
- per speed-controlled axis	40	40	40	40
- per positioning axis	80	80	80	80
- per synchronous axis	160	160	160	160
- per external encoder	80	80	80	80
- per output cam	20	20	20	20
- per cam track	160	160	160	160
- per probe	40	40	40	40
• Number of available Extended motion control resources for technology objects	40	120	192	256
• Required Extended motion control resources				
- for each cam	2	2	2	2
- for each set of kinematics	30	30	30	30
Controller				
• PID_Compact	Yes; Universal PID controller with integrated optimization	Yes; Universal PID controller with integrated optimization	Yes; Universal PID controller with integrated optimization	Yes; Universal PID controller with integrated optimization
• PID_3Step	Yes; PID controller with integrated optimization for valves	Yes; PID controller with integrated optimization for valves	Yes; PID controller with integrated optimization for valves	Yes; PID controller with integrated optimization for valves
• PID-Temp	Yes; PID controller with integrated optimization for temperature	Yes; PID controller with integrated optimization for temperature	Yes; PID controller with integrated optimization for temperature	Yes; PID controller with integrated optimization for temperature
Counting and measuring				
• High-speed counter	Yes	Yes	Yes	Yes

Technical specifications (continued)

Article number	6ES7511-1UK01-0AB0 CPU 1511TF-1PN, 225KB progr., 1MB data	6ES7515-2UM01-0AB0 CPU 1515TF-2 PN, 750KB progr, 3MB data	6ES7516-3UN00-0AB0 CPU 1516TF-3 PN/DP, 1.5MB prog./5MB data	6ES7517-3UP00-0AB0 CPU 1517TF-3 PN/DP, 3MB prog., 8MB data
Standards, approvals, certificates				
Highest safety class achievable in safety mode				
• Performance level according to ISO 13849-1	PLe	PLe	PLe	PLe
• SIL acc. to IEC 61508	SIL 3	SIL 3	SIL 3	SIL 3
Probability of failure (for service life of 20 years and repair time of 100 hours)				
- Low demand mode: PFDavg in accordance with SIL3	< 2.00E-05	< 2.00E-05	< 2.00E-05	< 2.00E-05
- High demand/continuous mode: PFH in accordance with SIL3	< 1.00E-09	< 1.00E-09	< 1.00E-09 1/h	< 1.00E-09 1/h
Ambient conditions				
Ambient temperature during operation				
• horizontal installation, min.	0 °C	0 °C	0 °C	0 °C
• horizontal installation, max.	60 °C; Display: 50 °C, at an operating temperature of typically 50 °C, the display is switched off	60 °C; Display: 50 °C, at an operating temperature of typically 50 °C, the display is switched off	60 °C; Display: 50 °C, at an operating temperature of typically 50 °C, the display is switched off	60 °C; Display: 50 °C, at an operating temperature of typically 50 °C, the display is switched off
• vertical installation, min.	0 °C	0 °C	0 °C	0 °C
• vertical installation, max.	40 °C; Display: 40 °C, at an operating temperature of typically 40 °C, the display is switched off	40 °C; Display: 40 °C, at an operating temperature of typically 40 °C, the display is switched off	40 °C; Display: 40 °C, at an operating temperature of typically 40 °C, the display is switched off	40 °C; Display: 40 °C, at an operating temperature of typically 40 °C, the display is switched off
Configuration				
Programming				
Programming language				
- LAD	Yes; incl. failsafe	Yes; incl. failsafe	Yes; incl. failsafe	Yes; incl. failsafe
- FBD	Yes; incl. failsafe	Yes; incl. failsafe	Yes; incl. failsafe	Yes; incl. failsafe
- STL	Yes	Yes	Yes	Yes
- SCL	Yes	Yes	Yes	Yes
- GRAPH	Yes	Yes	Yes	Yes
Know-how protection				
• User program protection/ password protection	Yes	Yes	Yes	Yes
• Copy protection	Yes	Yes	Yes	Yes
• Block protection	Yes	Yes	Yes	Yes
Access protection				
• Password for display	Yes	Yes	Yes	Yes
• Protection level: Write protection	Yes	Yes	Yes	Yes
• Protection level: Read/write protection	Yes	Yes	Yes	Yes
• Protection level: Write protection for Failsafe	Yes	Yes	Yes	Yes
• Protection level: Complete protection	Yes	Yes	Yes	Yes
Dimensions				
Width	35 mm	70 mm	175 mm	175 mm
Height	147 mm	147 mm	147 mm	147 mm
Depth	129 mm	129 mm	129 mm	129 mm
Weights				
Weight, approx.	430 g	830 g	1 978 g	1 978 g

SIMATIC S7-1500 Advanced Controllers

Central processing units

Technology CPUs

Ordering data

Article No.

CPU 1511T-1 PN

225 KB work memory for program, 1 MB for data, PROFINET IRT interface with 2-port switch; SIMATIC memory card required

6ES7511-1TK01-0AB0

CPU 1511TF-1 PN

225 KB work memory for program, 1 MB for data, PROFINET IRT interface with 2-port switch; SIMATIC memory card required

6ES7511-1UK01-0AB0

CPU 1515T-2 PN

750 KB work memory for program, 3 MB for data, PROFINET IRT interface with 2-port switch, Ethernet interface; SIMATIC memory card required

6ES7515-2TM01-0AB0

CPU 1515TF-2 PN

750 KB work memory for program, 3 MB for data, PROFINET IRT interface with 2-port switch, Ethernet interface; SIMATIC memory card required

6ES7515-2UM01-0AB0

CPU 1516T-3 PN/DP

1.5 MB work memory for program, 5 MB for data, PROFINET IRT interface with 2-port switch, Ethernet interface, PROFIBUS interface; SIMATIC memory card required

6ES7516-3TN00-0AB0

CPU 1516TF-3 PN/DP

1.5 MB work memory for program, 5 MB for data, PROFINET IRT interface with 2-port switch, Ethernet interface, PROFIBUS interface; SIMATIC memory card required

6ES7516-3UN00-0AB0

CPU 1517T-3 PN/DP

3 MB work memory for program, 8 MB for data, PROFINET IRT interface with 2-port switch, Ethernet interface, PROFIBUS interface; SIMATIC memory card required

6ES7517-3TP00-0AB0

CPU 1517TF-3 PN/DP

3 MB work memory for program, 8 MB for data, PROFINET IRT interface with 2-port switch, Ethernet interface, PROFIBUS interface; SIMATIC memory card required

6ES7517-3UP00-0AB0

Accessories

SIMATIC memory card

4 MB

6ES7954-8LC03-0AA0

12 MB

6ES7954-8LE03-0AA0

24 MB

6ES7954-8LF03-0AA0

256 MB

6ES7954-8LL03-0AA0

2 GB

6ES7954-8LP02-0AA0

32 GB

6ES7954-8LT03-0AA0

SIMATIC S7-1500 DIN rail

Fixed lengths, with grounding elements

- 160 mm
- 245 mm
- 482 mm
- 530 mm
- 830 mm

6ES7590-1AB60-0AA0

6ES7590-1AC40-0AA0

6ES7590-1AE80-0AA0

6ES7590-1AF30-0AA0

6ES7590-1AJ30-0AA0

For cutting to length by customer, without drill holes; grounding elements must be ordered separately

- 2000 mm

6ES7590-1BC00-0AA0

PE connection element for DIN rail 2000 mm

6ES7590-5AA00-0AA0

20 units

Power supply

For supplying the backplane bus of the S7-1500 controller

24 V DC input voltage, power 25 W

6ES7505-0KA00-0AB0

24/48/60 V DC input voltage, power 60 W

6ES7505-0RA00-0AB0

24/48/60 V DC input voltage, power 60 W, buffering functionality

6ES7505-0RB00-0AB0

120/230 V AC input voltage, power 60 W

6ES7507-0RA00-0AB0

Power connector

6ES7590-8AA00-0AA0

With coding element for power supply module; spare part, 10 units

Load power supply

24 V DC/3 A

6EP1332-4BA00

24 V DC/8 A

6EP1333-4BA00

Power supply connector

Spare part; for connecting the 24 V DC supply voltage

- With push-in terminals

6ES7193-4JB00-0AA0

PROFIBUS FastConnect RS 485 bus connector with 90° cable outlet

With insulation displacement, max. transmission rate 12 Mbps

Without PG interface, grounding via control cabinet contact surface; 1 unit

6ES7972-0BA70-0XA0

With PG interface, grounding via control cabinet contact surface; 1 unit

6ES7972-0BB70-0XA0

Ordering data	Article No.	Article No.
PROFIBUS FC Standard Cable GP Standard type with special design for fast mounting, 2-wire, shielded; sold by the meter; max. delivery unit 1000 m, minimum order quantity 20 m	6XV1830-0EH10	IE FC TP Trailing Cable 2 x 2 (Type C) 4-wire, shielded TP installation cable for connection to IE FC RJ45 outlet/ IE FC RJ45 plug 180/90 for use as trailing cable; PROFINET-compatible; with UL approval; sold by the meter; max. delivery unit 1 000 m, minimum order quantity 20 m
PROFIBUS FC Robust Cable 2-wire, shielded; sold by the meter; max. delivery unit 1000 m, minimum order quantity 20 m	6XV1830-0JH10	
PROFIBUS FC Flexible Cable 2-wire, shielded; sold by the meter; max. delivery unit 1000 m, minimum order quantity 20 m	6XV1831-2K	IE FC TP Marine Cable 2 x 2 (Type B) 4-wire, shielded TP installation cable for connection to IE FC RJ45 outlet/ IE FC RJ45 plug 180/90 with marine approval; sold by the meter; max. delivery unit 1 000 m, minimum order quantity 20 m
PROFIBUS FC Trailing Cable 2-wire, shielded; sold by the meter; max. delivery unit 1000 m, minimum order quantity 20 m Sheath color: Petrol Sheath color: Violet	6XV1830-3EH10 6XV1831-2L	
PROFIBUS FC Food Cable 2-wire, shielded; sold by the meter; max. delivery unit 1000 m, minimum order quantity 20 m	6XV1830-0GH10	IE FC stripping tool Preadjusted stripping tool for fast stripping of Industrial Ethernet FC cables Display For CPU 1511T-1 PN and CPU 1511TF-1 PN; spare part For CPU 1515-2 PN, CPU 1515F-2 PN, CPU 1515R-2 PN, CPU 1516-3 PN/DP, CPU 1516F-3 PN/DP, CPU 1517-3 PN/DP, CPU 1517H-3 PN, CPU 1517F-3 PN/DP, CPU 1518-4 PN/DP, CPU 1518F-4 PN/DP, CPU 1518-4 PN/DP ODK and CPU 1518F-4 PN/DP ODK; spare part
PROFIBUS FC Ground Cable 2-wire, shielded; sold by the meter; max. delivery unit 1000 m, minimum order quantity 20 m	6XV1830-3FH10	
PROFIBUS FC FRNC Cable GP 2-wire, shielded, flame-retardant, with copolymer outer sheath FRNC; sold by the meter; max. delivery unit 1000 m, minimum order quantity 20 m	6XV1830-0LH10	Front cover for PROFIBUS DP interface For CPU 1517-3 PN/DP, CPU 1518-4 PN/DP, CPU 1518-4 PN/DP ODK and CPU 1518-4 PN/DP MFP; spare part
PROFIBUS FastConnect stripping tool Preadjusted stripping tool for fast stripping of PROFIBUS FastConnect bus cables	6GK1905-6AA00	
IE FC RJ45 plugs RJ45 plug connector for Industrial Ethernet with a rugged metal enclosure and integrated insulation displacement contacts for connecting Industrial Ethernet FC installation cables		SIMATIC S7-1500T Starter Kit Comprising: CPU 1511T-1 PN, SIMATIC memory card 4 MB, 160 mm DIN rail, front connector, STEP 7 Professional 365-day license, PM 70 W 120/230 V AC power supply, Ethernet cable, documentation
IE FC RJ45 plug 180 180° cable outlet 1 unit 10 units 50 units	6GK1901-1BB10-2AA0 6GK1901-1BB10-2AB0 6GK1901-1BB10-2AE0	
IE FC TP Standard Cable GP 2x2 4-wire, shielded TP installation cable for connection to IE FC RJ45 outlet/ IE FC RJ45 plug; PROFINET-compatible; with UL approval; sold by the meter; max. delivery unit 1000 m, minimum order quantity 20 m	6XV1840-2AH10	

SIMATIC S7-1500 Advanced Controllers

Central processing units

Technology CPUs

Ordering data

Article No.

Article No.

STEP 7 Professional V15.1

Target system:
SIMATIC S7-1200, S7-1500,
S7-300, S7-400, WinAC

Requirement:

Windows 7 Home Premium SP1
(64-bit)
Windows 7 Professional SP1
(64-bit)
Windows 7 Enterprise SP1 (64-bit)
Windows 7 Ultimate SP1 (64-bit)
Windows 10 Home
Version 1709, 1803
Windows 10 Professional
Version 1709, 1803
Windows 10 Enterprise
Version 1709, 1803
Windows 10 Enterprise 2016 LTSC
Windows 10 IoT Enterprise 2015
LTSC
Windows 10 IoT Enterprise 2016
LTSC
Windows Server 2012 R2 StdE
(full installation)
Windows Server 2016 Standard
(full installation)

Type of delivery:

en, de, fr, it, es, zh

STEP 7 Professional V15.1,
floating license

6ES7822-1AA05-0YA5

STEP 7 Professional V15.1,
floating license,
software download
incl. license key ¹⁾

6ES7822-1AE05-0YA5

Email address required for delivery

STEP 7 Safety Advanced V15.1

Task:

Engineering tool for configuring
and programming fail-safe user
programs for
SIMATIC S7-1200 FC, S7-1500F,
S7-1500F Software Controller,
S7-300F, S7-400F, WinAC RTX F,
ET 200SP F Controller and the
fail-safe ET 200SP, ET 200MP,
ET 200S, ET 200M, ET 200iSP,
ET 200pro and ET 200eco I/O

Requirement:

STEP 7 Professional V15.1

Floating license for 1 user;
software and documentation on
DVD, license key on USB flash drive

6ES7833-1FA15-0YA5

Floating license for 1 user;
software, documentation and
license key for download ¹⁾;
email address required for delivery

6ES7833-1FA15-0YH5

SIMATIC Manual Collection

6ES7998-8XC01-8YE0

Electronic manuals on DVD,
multi-language:
LOGO!, SIMADYN, SIMATIC bus
components, SIMATIC C7,
SIMATIC Distributed I/O,
SIMATIC HMI, SIMATIC sensors,
SIMATIC NET, SIMATIC PC-based
Automation, SIMATIC PCS 7,
SIMATIC PG/PC, SIMATIC S7,
SIMATIC Software, SIMATIC TDC

SIMATIC Manual Collection update service for 1 year

6ES7998-8XC01-8YE2

Current "Manual Collection" DVD
and the three subsequent updates

¹⁾ For up-to-date information and download availability, see:
<http://www.siemens.com/tia-online-software-delivery>

Overview



- 16 and 32-channel digital input modules
- For flexible adaptation of the controller to the corresponding task
- For subsequent expansion of the system with additional inputs
- 35 mm wide modules with parameters and diagnostic functions
- 25 mm wide modules for use in tight spaces: particularly economical, without parameters or diagnostic functions

Technical specifications

Article number	6ES7521-1BH00-0AB0	6ES7521-1BL00-0AB0	6ES7521-1BH50-0AA0	6ES7521-1FH00-0AA0	6ES7521-7EH00-0AB0
	S7-1500, DI 16X24VDC HF	S7-1500, DI 32x24VDC HF	S7-1500, DI 16X24VDC SRC BA	S7-1500, DI 16x230VAC BA	S7-1500, DI 16 X 24...125V UC HF
Engineering with					
• STEP 7 TIA Portal configurable/integrated as of version	V13 SP1 / -	V13 SP1 / -	V12 / V12	V12 / V12	V13 SP1 / -
• STEP 7 configurable/integrated as of version	V5.5 SP3 / -	V5.5 SP3 / -	V5.5 SP3 / -	V5.5 SP3 / -	V5.5 SP3 / -
• PROFIBUS as of GSD version/GSD revision	V1.0 / V5.1	V1.0 / V5.1	V1.0 / V5.1	V1.0 / V5.1	V1.0 / V5.1
• PROFINET as of GSD version/GSD revision	V2.3 / -	V2.3 / -	V2.3 / -	V2.3 / -	V2.3 / -
Operating mode					
• DI	Yes	Yes	Yes	Yes	Yes
• Counter	Yes	Yes	No	No	No
• Oversampling	No	No			No
• MSI	Yes	Yes	Yes	Yes	Yes
Supply voltage					
Rated value (DC)	24 V	24 V			
Reverse polarity protection	Yes	Yes			
Digital inputs					
Number of digital inputs	16	32	16	16	16
Digital inputs, parameterizable	Yes	Yes	No	No	Yes
Source/sink input	P-reading	P-reading	m-reading	P-reading	Yes
Input characteristic curve in accordance with IEC 61131, type 1				Yes	
Input characteristic curve in accordance with IEC 61131, type 3	Yes	Yes	Yes		Yes; at 24 V DC
Digital input functions, parameterizable					
• Gate start/stop	Yes	Yes			
• Freely usable digital input	Yes	Yes			
Input voltage					
• Rated value (DC)	24 V	24 V	24 V		24 V; 48 V, 125 V
• Rated value (AC)				230 V; 120/230 V AC, 50/60 Hz	24 V; 48 V, 125 V (50 - 60 Hz)
• for signal "0"	-30 to +5V	-30 to +5V	-5 to +30V	0V AC to 40V AC	-5 ... +5 V
• for signal "1"	+11 to +30V	+11 to +30V	-11 to -30V	79V AC to 264V AC	+11 ... +146 V

SIMATIC S7-1500 Advanced Controllers

I/O modules

Digital modules

SM 521 digital input modules

Technical specifications (continued)

Article number	6ES7521-1BH00-0AB0 S7-1500, DI 16X24VDC HF	6ES7521-1BL00-0AB0 S7-1500, DI 32x24VDC HF	6ES7521-1BH50-0AA0 S7-1500, DI 16X24VDC SRC BA	6ES7521-1FH00-0AA0 S7-1500, DI 16x230VAC BA	6ES7521-7EH00-0AB0 S7-1500, DI 16 X 24...125V UC HF
Input current • for signal "1", typ.	2.5 mA	2.5 mA	4.5 mA	11 mA; At 230 V AC and 5.5 mA at 120 V AC	3 mA; at 24 V DC
Input delay (for rated value of input voltage) for standard inputs - parameterizable	Yes; 0.05 / 0.1 / 0.4 / 1.6 / 3.2 / 12.8 / 20 ms	Yes; 0.05 / 0.1 / 0.4 / 1.6 / 3.2 / 12.8 / 20 ms	No	No	Yes; 0.05 / 0.1 / 0.4 / 1.6 / 3.2 / 12.8 / 20 ms parameterizable with DC, 20 ms fixed with AC
for interrupt inputs - parameterizable	Yes	Yes	No	No	Yes
for technological functions - parameterizable	Yes	Yes	No	No	No
Encoder					
Connectable encoders					
• 2-wire sensor	Yes	Yes	Yes	Yes	Yes
- permissible quiescent current (2-wire sensor), max.	1.5 mA	1.5 mA	1.5 mA	2 mA	1.5 mA
Isochronous mode					
Isochronous operation (application synchronized up to terminal)	Yes	Yes	No	No	No
Filtering and processing time (TCI), min.	80 µs; At 50 µs filter time	80 µs; At 50 µs filter time			
Bus cycle time (TDP), min.	250 µs	250 µs			
Interrupts/diagnostics/status information					
Diagnostics function	Yes	Yes	No	No	Yes
Alarms					
• Diagnostic alarm	Yes	Yes	No	No	Yes
• Hardware interrupt	Yes	Yes	No	No	Yes
Diagnostic messages					
• Monitoring the supply voltage	Yes	Yes	No	No	No
• Wire-break	Yes; to I < 350 µA	Yes; to I < 350 µA	No	No	Yes; To I < 550 µA
• Short-circuit	No	No	No	No	No
Diagnostics indication LED					
• RUN LED	Yes; Green LED	Yes; Green LED	Yes; Green LED	Yes; Green LED	Yes; Green LED
• ERROR LED	Yes; Red LED	Yes; Red LED	Yes; Red LED	Yes; Red LED	Yes; Red LED
• Monitoring of the supply voltage (PWR-LED)	Yes; Green LED	Yes; Green LED	No	No	No
• Channel status display	Yes; Green LED	Yes; Green LED	Yes; Green LED	Yes; Green LED	Yes; Green LED
• for channel diagnostics	Yes; Red LED	Yes; Red LED	No	No	Yes; Red LED
• for module diagnostics	Yes; Red LED	Yes; Red LED	No	Yes; Red LED	Yes; Red LED
Potential separation					
Potential separation channels					
• between the channels and backplane bus	Yes	Yes	Yes	Yes	Yes
Standards, approvals, certificates					
Suitable for safety functions	No	No	No	No	No

Technical specifications (continued)

Article number	6ES7521-1BH00-0AB0 S7-1500, DI 16X24VDC HF	6ES7521-1BL00-0AB0 S7-1500, DI 32x24VDC HF	6ES7521-1BH50-0AA0 S7-1500, DI 16X24VDC SRC BA	6ES7521-1FH00-0AA0 S7-1500, DI 16x230VAC BA	6ES7521-7EH00-0AB0 S7-1500, DI 16 X 24...125V UC HF
Ambient conditions					
Ambient temperature during operation					
• horizontal installation, min.	0 °C	0 °C	0 °C	0 °C	0 °C
• horizontal installation, max.	60 °C	60 °C	60 °C	60 °C	60 °C
• vertical installation, min.	0 °C	0 °C	0 °C	0 °C	0 °C
• vertical installation, max.	40 °C	40 °C	40 °C	40 °C	40 °C
Decentralized operation					
Prioritized startup	Yes	Yes	Yes	Yes	Yes
Dimensions					
Width	35 mm	35 mm	35 mm	35 mm	35 mm
Height	147 mm	147 mm	147 mm	147 mm	147 mm
Depth	129 mm	129 mm	129 mm	129 mm	129 mm
Weights					
Weight, approx.	240 g	260 g	230 g	300 g	240 g

Article number	6ES7521-1BH10-0AA0 S7-1500, DI 16X24VDC BA	6ES7521-1BL10-0AA0 S7-1500, DI 32x24VDC BA
Engineering with		
• STEP 7 TIA Portal configurable/ integrated as of version	V13 / V13	V13 / V13
• STEP 7 configurable/integrated as of version	V5.5 SP3 / -	V5.5 SP3 / -
• PROFIBUS as of GSD version/ GSD revision	V1.0 / V5.1	V1.0 / V5.1
• PROFINET as of GSD version/ GSD revision	V2.3 / -	V2.3 / -
Operating mode		
• DI	Yes	Yes
• Counter	No	No
• MSI	Yes	Yes
Supply voltage		
Rated value (DC)	24 V	24 V
Digital inputs		
Number of digital inputs	16	32
Digital inputs, parameterizable	No	No
Source/sink input	P-reading	P-reading
Input characteristic curve in accordance with IEC 61131, type 3	Yes	Yes
Input voltage		
• Rated value (DC)	24 V	24 V
• for signal *0*	-30 to +5V	-30 to +5V
• for signal *1*	+11 to +30V	+11 to +30V
Input current		
• for signal *1*, typ.	2.7 mA	2.7 mA
Input delay (for rated value of input voltage)		
for standard inputs		
- parameterizable	No	No
for interrupt inputs		
- parameterizable	No	No
for technological functions		
- parameterizable	No	No
Encoder		
Connectable encoders		
• 2-wire sensor	Yes	Yes
- permissible quiescent current (2-wire sensor), max.	1.5 mA	1.5 mA

SIMATIC S7-1500 Advanced Controllers

I/O modules

Digital modules

SM 521 digital input modules

Technical specifications (continued)

Article number	6ES7521-1BH10-0AA0 S7-1500, DI 16X24VDC BA	6ES7521-1BL10-0AA0 S7-1500, DI 32x24VDC BA
Isochronous mode		
Isochronous operation (application synchronized up to terminal)	No	No
Interrupts/diagnostics/status information		
Diagnostics function	No	No
Alarms		
• Diagnostic alarm	No	No
• Hardware interrupt	No	No
Diagnostic messages		
• Monitoring the supply voltage	No	No
• Wire-break	No	No
• Short-circuit	No	No
Diagnostics indication LED		
• RUN LED	Yes; Green LED	Yes; Green LED
• ERROR LED	Yes; Red LED	Yes; Red LED
• Monitoring of the supply voltage (PWR-LED)	No	No
• Channel status display	Yes; Green LED	Yes; Green LED
• for channel diagnostics	No	No
• for module diagnostics	No	No
Potential separation		
Potential separation channels		
• between the channels and backplane bus	Yes	Yes
Standards, approvals, certificates		
Suitable for safety functions	No	No
Ambient conditions		
Ambient temperature during operation		
• horizontal installation, min.	0 °C	0 °C
• horizontal installation, max.	60 °C	60 °C
• vertical installation, min.	0 °C	0 °C
• vertical installation, max.	40 °C	40 °C
Decentralized operation		
Prioritized startup	Yes	Yes
Dimensions		
Width	25 mm	25 mm
Height	147 mm	147 mm
Depth	129 mm	129 mm
Weights		
Weight, approx.	230 g	260 g
Other		
Note:	Supplied incl. 40-pole push-in front connectors	Supplied incl. 40-pole push-in front connectors

Ordering data	Article No.	Ordering data	Article No.
SM 521 digital input modules <u>Module width 35 mm</u> 16 inputs, 24 V DC, isolated, parameterizable diagnostics and hardware interrupts 32 inputs, 24 V DC, isolated, parameterizable diagnostics and hardware interrupts 16 inputs, 24 V DC, isolated, input delay 3.2 ms 16 inputs, 230 V AC, isolated, input delay 20 ms 16 inputs, 24 ... 125 V UC, input delay 0.05 ... 20 ms, parameterizable diagnostics and hardware interrupts <u>Module width 25 mm; front connector (push-in) included in delivery package</u> 16 inputs, 24 V DC, isolated 32 inputs, 24 V DC, isolated	6ES7521-1BH00-0AB0 6ES7521-1BL00-0AB0 6ES7521-1BH50-0AA0 6ES7521-1FH00-0AA0 6ES7521-7EH00-0AB0	Potential bridges for front connectors For 35 mm modules; 20 pieces; spare part DIN A4 labeling sheets For 35 mm modules; 10 sheets with 10 labeling strips each for I/O modules; perforated, Al gray For 25 mm modules; 10 sheets with 20 labeling strips each for I/O modules; perforated, Al gray U connector 5 units; spare part Universal front door for I/O modules For 35 mm modules; 5 front doors; with 5 labeling strips (front) and 5 cabling diagrams per front door; spare part For 25 mm modules; 5 front doors; with 5 labeling strips (front) and 5 cabling diagrams per front door; spare part SIMATIC Manual Collection Electronic manuals on DVD, multi-language: LOGO!, SIMADYN, SIMATIC bus components, SIMATIC C7, SIMATIC Distributed I/O, SIMATIC HMI, SIMATIC Sensors, SIMATIC NET, SIMATIC PC-based Automation, SIMATIC PCS 7, SIMATIC PG/PC, SIMATIC S7, SIMATIC Software, SIMATIC TDC SIMATIC Manual Collection update service for 1 year Current "Manual Collection" DVD and the three subsequent updates	6ES7592-3AA00-0AA0 6ES7592-2AX00-0AA0 6ES7592-1AX00-0AA0 6ES7590-0AA00-0AA0 6ES7528-0AA00-7AA0 6ES7528-0AA00-0AA0 6ES7998-8XC01-8YE0 6ES7998-8XC01-8YE2
Accessories Front connectors For 35 mm modules; including four potential bridges, cable ties and individual labeling strips, 40-pin <ul style="list-style-type: none"> • Screw terminals • Push-in For 25 mm modules; including cable ties and individual labeling strips; push-in terminal 40-pin; spare part	6ES7592-1AM00-0XB0 6ES7592-1BM00-0XB0 6ES7592-1BM00-0XA0		

SIMATIC S7-1500 Advanced Controllers

I/O modules

Digital modules

SM 522 digital output modules

Overview



- 8, 16 and 32-channel digital output modules
- For flexible adaptation of the controller to the corresponding task
- For subsequent expansion of the system with additional outputs
- 35 mm wide modules with parameters and diagnostic functions
- 25 mm wide modules for use in tight spaces: particularly economical, without parameters or diagnostic functions

4

Technical specifications

Article number	6ES7522-1BH01-0AB0	6ES7522-1BL01-0AB0	6ES7522-1BF00-0AB0	6ES7522-5EH00-0AB0
	S7-1500, DQ 16x24V DC/0.5A HF	S7-1500, DQ 32x24VDC/0.5A HF	S7-1500, DQ 8x24VDC/2A HF	S7-1500, DQ 16x24...48VUC/ 125VDC/0.5A ST
Engineering with				
• STEP 7 TIA Portal configurable/ integrated as of version	V13 SP1 / -	V13 SP1 / -	V13 SP1 / -	V13 SP1 / -
• STEP 7 configurable/integrated as of version			V5.5 SP3 / -	V5.5 SP3 / -
• PROFIBUS as of GSD version/ GSD revision	V1.0 / V5.1	V1.0 / V5.1	V1.0 / V5.1	V1.0 / V5.1
• PROFINET as of GSD version/ GSD revision	V2.3 / -	V2.3 / -	V2.3 / -	V2.3 / -
Operating mode				
• DQ	Yes	Yes	Yes	Yes
• DQ with energy-saving function	No	No	Yes; with an application	No
• PWM	No	No	Yes	No
• Cam control (switching at comparison values)	No	No	No	No
• Oversampling	No	No	No	No
• MSO	Yes	Yes	Yes	Yes
• Integrated operating cycle counter	Yes	Yes	Yes	No
Supply voltage				
Rated value (DC)	24 V	24 V	24 V	
Reverse polarity protection	Yes; through internal protection with 7 A per group	Yes; through internal protection with 7 A per group	Yes; through internal protection with 10 A per group	
Digital outputs				
Type of digital output	Transistor	Transistor	Transistor	Transistor
Number of digital outputs	16	32	8	16
Current-sinking				Yes
Current-sourcing	Yes	Yes	Yes	Yes
Digital outputs, parameterizable	Yes	Yes	Yes	Yes
Short-circuit protection	Yes; Clocked electronically	Yes; Clocked electronically	Yes	
Limitation of inductive shutdown voltage to	L+ (-53 V)	L+ (-53 V)	-17 V	200 V (suppressor diode)
Controlling a digital input	Yes	Yes	Yes	Yes
Digital output functions, parameterizable				
• Freely usable digital output			Yes	
• PWM output			Yes	
- Number, max.			2	

Technical specifications (continued)

Article number	6ES7522-1BH01-0AB0 S7-1500, DQ 16x24V DC/0.5A HF	6ES7522-1BL01-0AB0 S7-1500, DQ 32x24VDC/0.5A HF	6ES7522-1BF00-0AB0 S7-1500, DQ 8x24VDC/2A HF	6ES7522-5EH00-0AB0 S7-1500, DQ 16x24...48VUC/ 125VDC/0.5A ST
Switching capacity of the outputs				
• with resistive load, max.	0.5 A	0.5 A		0.5 A
• on lamp load, max.	5 W	5 W	10 W	40 W; At 125 V DC, 10 W at 48 V UC, 5 W at 24 V UC
Load resistance range				
• lower limit	48 Ω	48 Ω	12 Ω	
• upper limit	12 kΩ	12 kΩ	4 kΩ	
Output voltage				
• Type of output voltage	DC	DC	DC	UC
• for signal "1", min.	L+ (-0.8 V)	L+ (-0.8 V)	L+ (-0.8 V)	L+ (-1.0 V)
Output current				
• for signal "1" rated value	0.5 A	0.5 A	2 A	0.5 A
• for signal "0" residual current, max.	0.5 mA	0.5 mA	0.5 mA	
Output delay with resistive load				
• "0" to "1", typ.			80 μs	
• "0" to "1", max.	100 μs	100 μs	100 μs	5 ms
• "1" to "0", typ.			300 μs	
• "1" to "0", max.	500 μs	500 μs	500 μs	5 ms
Parallel switching of two outputs				
• for logic links	Yes	Yes	Yes	Yes
• for uprating	No	No	No	No
• for redundant control of a load	Yes	Yes	Yes	Yes
Switching frequency				
• with resistive load, max.	100 Hz	100 Hz	100 Hz; With PWM operation: 500 Hz	25 Hz
• with inductive load, max.	0.5 Hz; According to IEC 60947-5-1, DC-13	0.5 Hz; According to IEC 60947-5-1, DC-13	0.5 Hz; According to IEC 60947-5-1, DC-13; max. 500 Hz with PWM operation only with external circuit; see additional description in the manual	0.5 Hz
• on lamp load, max.	10 Hz	10 Hz	10 Hz	10 Hz
Total current of the outputs				
• Current per channel, max.	0.5 A; see additional description in the manual	0.5 A; see additional description in the manual	2 A; see additional description in the manual	0.5 A
• Current per group, max.	4 A; see additional description in the manual	4 A; see additional description in the manual	8 A; see additional description in the manual	0.5 A
• Current per module, max.	8 A; see additional description in the manual	16 A; see additional description in the manual	16 A; see additional description in the manual	8 A
Cable length				
• shielded, max.	1 000 m	1 000 m	1 000 m	1 000 m
• unshielded, max.	600 m	600 m	600 m	600 m
Isochronous mode				
Isochronous operation (application synchronized up to terminal)	Yes	Yes	No	No
Execution and activation time (TCO), min.	70 μs	70 μs		
Bus cycle time (TDP), min.	250 μs	250 μs		
Interrupts/diagnostics/status information				
Diagnostics function	Yes	Yes	Yes	No
Substitute values connectable	Yes	Yes	Yes	Yes
Alarms				
• Diagnostic alarm	Yes	Yes	Yes	No
• Maintenance interrupt	Yes	Yes	Yes	No

SIMATIC S7-1500 Advanced Controllers

I/O modules

Digital modules

SM 522 digital output modules

Technical specifications (continued)

Article number	6ES7522-1BH01-0AB0 S7-1500, DQ 16x24V DC/0.5A HF	6ES7522-1BL01-0AB0 S7-1500, DQ 32x24VDC/0.5A HF	6ES7522-1BF00-0AB0 S7-1500, DQ 8x24VDC/2A HF	6ES7522-5EH00-0AB0 S7-1500, DQ 16x24...48VUC/ 125VDC/0.5A ST
Diagnostic messages				
• Monitoring the supply voltage	Yes	Yes	Yes	No
• Wire-break	Yes	Yes	No	No
• Short-circuit	Yes	Yes	Yes	No
• Group error	Yes	Yes	Yes	
Diagnostics indication LED				
• RUN LED	Yes; Green LED	Yes; Green LED	Yes; Green LED	Yes; Green LED
• ERROR LED	Yes; Red LED	Yes; Red LED	Yes; Red LED	Yes; Red LED
• MAINT LED	Yes; yellow LED	Yes; yellow LED	Yes; yellow LED	
• Monitoring of the supply voltage (PWR-LED)	Yes; Green LED	Yes; Green LED	Yes; Green LED	No
• Channel status display	Yes; Green LED	Yes; Green LED	Yes; Green LED	Yes; Green LED
• for channel diagnostics	Yes; Red LED	Yes; Red LED	Yes; Red LED	No
• for module diagnostics	Yes; Red LED	Yes; Red LED	Yes; Red LED	Yes; Red LED
Potential separation				
Potential separation channels				
• between the channels and backplane bus	Yes	Yes	Yes	Yes
Standards, approvals, certificates				
Suitable for safety functions	No	No	No	No
Suitable for safety-related tripping of standard modules	Yes; From FS02	Yes; From FS02	Yes; From FS03	Yes; From FS02
Highest safety class achievable for safety-related tripping of standard modules				
• Performance level according to ISO 13849-1	PL d	PL d	PL d	PL d
• Category according to ISO 13849-1	Cat. 3	Cat. 3	Cat. 3	Cat. 3
• SILCL according to IEC 62061	SILCL 2	SILCL 2	SILCL 2	SILCL 2
Ambient conditions				
Ambient temperature during operation				
• horizontal installation, min.	0 °C			0 °C
• horizontal installation, max.	60 °C			60 °C
• vertical installation, min.	0 °C			0 °C
• vertical installation, max.	60 °C			40 °C
Decentralized operation				
Prioritized startup	Yes	Yes	Yes	Yes
Dimensions				
Width	35 mm	35 mm	35 mm	35 mm
Height	147 mm	147 mm	147 mm	147 mm
Depth	129 mm	129 mm	129 mm	129 mm
Weights				
Weight, approx.	230 g	280 g	240 g	230 g
Article number	6ES7522-5HF00-0AB0 S7-1500, DQ 8x230VAC/5A ST (Relay)	6ES7522-5HH00-0AB0 S7-1500, DQ 16x230VAC/2A ST (Relay)	6ES7522-5FF00-0AB0 S7-1500, DQ 8x230VAC/2A ST (Triac)	6ES7522-5FH00-0AB0 S7-1500, DQ 16x230VAC/1A ST (Triac)
Engineering with				
• STEP 7 TIA Portal configurable/integrated as of version	V12 / V12	V13 SP1 / -	V12 / V12	V13 SP1 / -
• STEP 7 configurable/integrated as of version	V5.5 SP3 / -	V5.5 SP3 / -	V5.5 SP3 / -	V5.5 SP3 / -
• PROFIBUS as of GSD version/ GSD revision	V1.0 / V5.1	V1.0 / V5.1	V1.0 / V5.1	V1.0 / V5.1
• PROFINET as of GSD version/ GSD revision	V2.3 / -	V2.3 / -	V2.3 / -	V2.3 / -

Technical specifications (continued)

Article number	6ES7522-5HF00-0AB0 S7-1500, DQ 8x230VAC/5A ST (Relay)	6ES7522-5HH00-0AB0 S7-1500, DQ 16x230VAC/2A ST (Relay)	6ES7522-5FF00-0AB0 S7-1500, DQ 8x230VAC/2A ST (Triac)	6ES7522-5FH00-0AB0 S7-1500, DQ 16x230VAC/1A ST (Triac)
Operating mode				
• DQ	Yes	Yes	Yes	Yes
• DQ with energy-saving function	No	No	No	No
• PWM	No	No	No	No
• Oversampling	No	No	No	No
• MSO	Yes	Yes	Yes	Yes
Supply voltage				
Rated value (DC)	24 V	24 V		
Reverse polarity protection	Yes	Yes		
Digital outputs				
Type of digital output	Relays	Relays	Triac	Triac
Number of digital outputs	8	16	8	16
Current-sinking	Yes	Yes		Yes
Current-sourcing	Yes	Yes	Yes	Yes
Digital outputs, parameterizable	Yes	Yes	Yes	Yes
Short-circuit protection	No	No	No	No
Controlling a digital input	possible	Yes		
Size of motor starters according to NEMA, max.	5	5	5	4
Switching capacity of the outputs				
• with resistive load, max.			2 A	1 A
• on lamp load, max.	1 500 W; 10 000 operating cycles	50 W (230 V AC), 5 W (24 V DC)	50 W	50 W
• Low energy/fluorescent lamps with electronic control gear	10x 58 W (25 000 operating cycles)			
• Fluorescent tubes, conventionally compensated	1x 58 W (25 000 operating cycles)			
• Fluorescent tubes, uncompensated	10x 58 W (25 000 operating cycles)			
Output voltage				
• Type of output voltage			AC	AC
• for signal "1", min.			L1 (-1.5 V) at maximum output current; L1 (-8.5 V) at minimum output current	L1 (-1.5 V) at maximum output current; L1 (-8.5 V) at minimum output current
Output current				
• for signal "1" rated value	5 A	2 A	2 A	1 A
• for signal "0" residual current, max.	0 A	0 A	2 mA	2 mA
Output delay with resistive load				
• "0" to "1", max.			1 AC cycle	1 AC cycle
• "1" to "0", max.			1 AC cycle	1 AC cycle
Parallel switching of two outputs				
• for logic links	Yes	Yes	No	No
• for uprating	No	No	No	No
• for redundant control of a load	Yes	Yes	Yes	Yes
Switching frequency				
• with resistive load, max.	2 Hz	1 Hz	10 Hz	10 Hz
• with inductive load, max.	0.5 Hz	0.5 Hz	0.5 Hz	0.5 Hz
• on lamp load, max.	2 Hz	1 Hz	1 Hz	1 Hz
Total current of the outputs				
• Current per channel, max.	8 A; see additional description in the manual	2 A; see additional description in the manual	2 A; see additional description in the manual	1 A; see additional description in the manual
• Current per group, max.	8 A; see additional description in the manual	4 A; see additional description in the manual	2 A; see additional description in the manual	2 A; see additional description in the manual
• Current per module, max.	64 A; see additional description in the manual	32 A; see additional description in the manual	10 A; see additional description in the manual	10 A; see additional description in the manual

SIMATIC S7-1500 Advanced Controllers

I/O modules

Digital modules

SM 522 digital output modules

Technical specifications (continued)

Article number	6ES7522-5HF00-0AB0 S7-1500, DQ 8x230VAC/5A ST (Relay)	6ES7522-5HH00-0AB0 S7-1500, DQ 16x230VAC/2A ST (Relay)	6ES7522-5FF00-0AB0 S7-1500, DQ 8x230VAC/2A ST (Triac)	6ES7522-5FH00-0AB0 S7-1500, DQ 16x230VAC/1A ST (Triac)
Relay outputs				
• Number of relay outputs	8	16		
• Rated supply voltage of relay coil L+ (DC)	24 V	24 V		
• Current consumption of relays (coil current of all relays), typ.	80 mA	150 mA		
• external protection for relay outputs	With miniature circuit breaker with characteristic B for: cos φ 1.0: 600 A cos φ 0.5 ... 0.7: 900 A with 8 A Diazed fuse: 1 000 A	Miniature circuit breaker B10 / B16		
• Contact connection (internal)	No	No		
• Number of operating cycles, max.	4 000 000; see additional description in the manual	see additional description in the manual		
• Relay approved acc. to UL 508	Yes; 250 V AC/5 A g.p.; 120 V AC TV-4 tungsten; A300, R300	No		
Switching capacity of contacts				
- with inductive load, max.	see additional description in the manual	2 A; see additional description in the manual		
- with resistive load, max.	see additional description in the manual	2 A; see additional description in the manual		
Cable length				
• shielded, max.	1 000 m	1 000 m	1 000 m	1 000 m
• unshielded, max.	600 m	600 m	600 m	600 m
Isochronous mode				
Isochronous operation (application synchronized up to terminal)	No	No	No	No
Interrupts/diagnostics/status information				
Diagnostics function	Yes	Yes	No	No
Substitute values connectable	Yes	Yes	Yes	Yes
Alarms				
• Diagnostic alarm	Yes	Yes	No	No
• Maintenance interrupt		No	No	No
Diagnostic messages				
• Monitoring the supply voltage	Yes	Yes	No	No
• Wire-break	No	No	No	No
• Short-circuit	No	No	No	No
Diagnostics indication LED				
• RUN LED	Yes; Green LED	Yes; Green LED	Yes; Green LED	Yes; Green LED
• ERROR LED	Yes; Red LED	Yes; Red LED	Yes; Red LED	Yes; Red LED
• Monitoring of the supply voltage (PWR-LED)	Yes; Green LED	Yes; Green LED	No	No
• Channel status display	Yes; Green LED	Yes; Green LED	Yes; Green LED	Yes; Green LED
• for channel diagnostics	No	No	No	No
• for module diagnostics	Yes; Red LED	Yes; Red LED	Yes; Red LED	Yes; Red LED
Potential separation				
Potential separation channels				
• between the channels and backplane bus	Yes	Yes	Yes	Yes
Standards, approvals, certificates				
Suitable for safety functions	No	No	No	No

Technical specifications (continued)

Article number	6ES7522-5HF00-0AB0 S7-1500, DQ 8x230VAC/5A ST (Relay)	6ES7522-5HH00-0AB0 S7-1500, DQ 16x230VAC/2A ST (Relay)	6ES7522-5FF00-0AB0 S7-1500, DQ 8x230VAC/2A ST (Triac)	6ES7522-5FH00-0AB0 S7-1500, DQ 16x230VAC/1A ST (Triac)
Ambient conditions				
Ambient temperature during operation				
• horizontal installation, min.	0 °C	0 °C	0 °C	0 °C
• horizontal installation, max.	60 °C	60 °C	60 °C	60 °C
• vertical installation, min.	0 °C	0 °C	0 °C	0 °C
• vertical installation, max.	40 °C	40 °C	40 °C	60 °C
Decentralized operation				
Prioritized startup	Yes	Yes	Yes	Yes
Dimensions				
Width	35 mm	35 mm	35 mm	35 mm
Height	147 mm	147 mm	147 mm	147 mm
Depth	129 mm	129 mm	129 mm	129 mm
Weights				
Weight, approx.	350 g	350 g	290 g	310 g

Article number	6ES7522-1BH10-0AA0 S7-1500, DQ 16X24VDC/0.5A BA	6ES7522-1BL10-0AA0 S7-1500, DQ 32x24VDC/0.5A BA
Engineering with		
• STEP 7 TIA Portal configurable/ integrated as of version	V13 / V13	V13 / V13
• STEP 7 configurable/integrated as of version	V5.5 SP3 / -	V5.5 SP3 / -
• PROFIBUS as of GSD version/ GSD revision	V1.0 / V5.1	V1.0 / V5.1
• PROFINET as of GSD version/ GSD revision	V2.3 / -	V2.3 / -
Operating mode		
• DQ	Yes	Yes
• DQ with energy-saving function	No	No
• PWM	No	No
• Oversampling	No	No
• MSO	Yes	Yes
Supply voltage		
Rated value (DC)	24 V	24 V
Reverse polarity protection	Yes; through internal protection with 7 A per group	Yes; through internal protection with 7 A per group
Digital outputs		
Type of digital output	Transistor	Transistor
Number of digital outputs	16	32
Current-sourcing	Yes	Yes
Digital outputs, parameterizable	No	No
Short-circuit protection	Yes	Yes
Limitation of inductive shutdown voltage to	L+ (-53 V)	L+ (-53 V)
Controlling a digital input	Yes	Yes
Switching capacity of the outputs		
• with resistive load, max.	0.5 A	0.5 A
• on lamp load, max.	5 W	5 W
Load resistance range		
• lower limit	48 Ω	48 Ω
• upper limit	12 kΩ	12 kΩ
Output voltage		
• Type of output voltage	DC	DC
• for signal "1", min.	L+ (-0.8 V)	L+ (-0.8 V)
Output current		
• for signal "1" rated value	0.5 A	0.5 A
• for signal "0" residual current, max.	0.5 mA	0.5 mA

SIMATIC S7-1500 Advanced Controllers

I/O modules

Digital modules

SM 522 digital output modules

Technical specifications (continued)

Article number	6ES7522-1BH10-0AA0 S7-1500, DQ 16X24VDC/0.5A BA	6ES7522-1BL10-0AA0 S7-1500, DQ 32x24VDC/0.5A BA
Output delay with resistive load		
• "0" to "1", max.	100 µs	100 µs
• "1" to "0", max.	500 µs	500 µs
Parallel switching of two outputs		
• for logic links	Yes	Yes
• for uprating	No	No
• for redundant control of a load	Yes	Yes
Switching frequency		
• with resistive load, max.	100 Hz	100 Hz
• with inductive load, max.	0.5 Hz; According to IEC 60947-5-1, DC-13	0.5 Hz; According to IEC 60947-5-1, DC-13
• on lamp load, max.	10 Hz	10 Hz
Total current of the outputs		
• Current per channel, max.	0.5 A; see additional description in the manual	0.5 A; see additional description in the manual
• Current per group, max.	4 A; see additional description in the manual	4 A; see additional description in the manual
• Current per module, max.	8 A; see additional description in the manual	16 A; see additional description in the manual
Cable length		
• shielded, max.	1 000 m	1 000 m
• unshielded, max.	600 m	600 m
Isochronous mode		
Isochronous operation (application synchronized up to terminal)	No	No
Interrupts/diagnostics/ status information		
Diagnostics function	No	No
Substitute values connectable	No	No
Alarms		
• Diagnostic alarm	No	No
• Maintenance interrupt	No	No
Diagnostic messages		
• Monitoring the supply voltage	No	No
• Wire-break	No	No
• Short-circuit	No	No
• Group error	No	No
Diagnostics indication LED		
• RUN LED	Yes; Green LED	Yes; Green LED
• ERROR LED	Yes; Red LED	Yes; Red LED
• Monitoring of the supply voltage (PWR-LED)	Yes; Green LED	Yes; Green LED
• Channel status display	Yes; Green LED	Yes; Green LED
• for channel diagnostics	No	No
• for module diagnostics	No	No
Potential separation		
Potential separation channels		
• between the channels and backplane bus	Yes	Yes
Standards, approvals, certificates		
Suitable for safety functions	No	No
Decentralized operation		
Prioritized startup	Yes	Yes
Dimensions		
Width	25 mm	25 mm
Height	147 mm	147 mm
Depth	129 mm	129 mm
Weights		
Weight, approx.	230 g	280 g
Other		
Note:	Supplied incl. 40-pole push-in front connectors	Supplied incl. 40-pole push-in front connectors

Ordering data	Article No.	Ordering data	Article No.
SM 522 digital output modules		DIN A4 labeling sheets	
<u>Module width 35 mm</u>		For 35 mm modules; 10 sheets with 10 labeling strips each for I/O modules; perforated, Al gray	6ES7592-2AX00-0AA0
8 outputs, 24 V DC; 2 A, isolated	6ES7522-1BF00-0AB0	For 25 mm modules; 10 sheets with 20 labeling strips each for I/O modules; perforated, Al gray	6ES7592-1AX00-0AA0
16 outputs, 24 V DC; 0.5 A, isolated	6ES7522-1BH01-0AB0	U connector	6ES7590-0AA00-0AA0
32 outputs, 24 V DC; 0.5 A, isolated	6ES7522-1BL01-0AB0	5 units; spare part	
8 relay outputs, 230 V AC, 5 A	6ES7522-5HF00-0AB0	Universal front door for I/O modules	
16 relay outputs, 230 V AC, 2 A	6ES7522-5HH00-0AB0	For 35 mm modules; 5 front doors; with 5 labeling strips (front) and 5 cabling diagrams per front door; spare part	6ES7528-0AA00-7AA0
8 outputs (triac), 230 V AC, 2 A	6ES7522-5FF00-0AB0	For 25 mm modules; 5 front doors; with 5 labeling strips (front) and 5 cabling diagrams per front door; spare part	6ES7528-0AA00-0AA0
16 outputs (triac), 230 V AC, 1 A	6ES7522-5FH00-0AB0	SIMATIC Manual Collection	6ES7998-8XC01-8YE0
16 outputs, 24 ... 48 V UC, 125 V DC, 0.5 A, isolated	6ES7522-5EH00-0AB0	Electronic manuals on DVD, multi-language: LOGO!, SIMADYN, SIMATIC bus components, SIMATIC C7, SIMATIC Distributed I/O, SIMATIC HMI, SIMATIC Sensors, SIMATIC NET, SIMATIC PC-based Automation, SIMATIC PCS 7, SIMATIC PG/PC, SIMATIC S7, SIMATIC Software, SIMATIC TDC	
<u>Module width 25 mm; front connector (push-in) included in delivery package</u>		SIMATIC Manual Collection update service for 1 year	6ES7998-8XC01-8YE2
16 outputs, 24 V DC; 0.5 A, isolated	6ES7 522-1BH10-0AA0	Current "Manual Collection" DVD and the three subsequent updates	
32 outputs, 24 V DC; 0.5 A, isolated	6ES7 522-1BL10-0AA0		
Accessories			
Front connectors			
For 35 mm modules; including four potential bridges, cable ties and individual labeling strips, 40-pin			
• Screw terminals	6ES7592-1AM00-0XB0		
• Push-in	6ES7592-1BM00-0XB0		
For 25 mm modules; including cable ties and individual labeling strips; push-in terminal 40-pin; spare part	6ES7592-1BM00-0XA0		
Potential bridges for front connectors	6ES7592-3AA00-0AA0		
For 35 mm modules; 20 pieces; spare part			

SIMATIC S7-1500 Advanced Controllers

I/O modules

Digital modules

SM 523 digital input/output modules

Overview



- 16 digital inputs and 16 digital outputs
- For flexible adaptation of the controller to the corresponding task
- For subsequent expansion of the system with additional inputs and outputs
- For use in the tightest spaces: particularly economical, without parameters or diagnostic functions

4

Technical specifications

Article number	6ES7523-1BL00-0AA0 S7-1500, DI 16x24VDC/ DQ 16x24VDC/0.5A BA
General information	
Product type designation	DI 16x24VDC / DQ16x24VDC/0.5A BA
Product function	
• I&M data	Yes; I&M0 to I&M3
Engineering with	
• STEP 7 TIA Portal configurable/ integrated as of version	V13 / V13
• STEP 7 configurable/integrated as of version	V5.5 SP3 / -
• PROFIBUS as of GSD version/ GSD revision	V1.0 / V5.1
• PROFINET as of GSD version/ GSD revision	V2.3 / -
Operating mode	
• DI	Yes
• Counter	No
• DQ	Yes
• DQ with energy-saving function	No
• PWM	No
• Oversampling	No
• MSI	Yes
• MSO	Yes
Supply voltage	
Rated value (DC)	24 V
Reverse polarity protection	Yes; through internal protection with 7 A per group
Digital inputs	
Number of digital inputs	16
Digital inputs, parameterizable	No
Source/sink input	P-reading
Input characteristic curve in accordance with IEC 61131, type 3	Yes
Input voltage	
• Type of input voltage	DC
• Rated value (DC)	24 V
• for signal "0"	-30 to +5V
• for signal "1"	+11 to +30V
Input current	
• for signal "1", typ.	2.7 mA

Article number	6ES7523-1BL00-0AA0 S7-1500, DI 16x24VDC/ DQ 16x24VDC/0.5A BA
Input delay (for rated value of input voltage) for standard inputs	
- parameterizable	No
for interrupt inputs	
- parameterizable	No
Cable length	
• shielded, max.	1 000 m
• unshielded, max.	600 m
Digital outputs	
Type of digital output	Transistor
Number of digital outputs	16
Current-sourcing	Yes
Digital outputs, parameterizable	No
Short-circuit protection	Yes
Limitation of inductive shutdown voltage to	L+ (-53 V)
Controlling a digital input	Yes
Switching capacity of the outputs	
• with resistive load, max.	0.5 A
• on lamp load, max.	5 W
Load resistance range	
• lower limit	48 Ω
• upper limit	12 kΩ
Output voltage	
• Type of output voltage	DC
• for signal "1", min.	L+ (-0.8 V)
Output current	
• for signal "1" rated value	0.5 A
• for signal "0" residual current, max.	0.5 mA
Output delay with resistive load	
• "0" to "1", max.	100 μs
• "1" to "0", max.	500 μs
Parallel switching of two outputs	
• for logic links	Yes
• for uprating	No
• for redundant control of a load	Yes

Technical specifications (continued)

Article number	6ES7523-1BL00-0AA0 S7-1500, DI 16x24VDC/ DQ 16x24VDC/0.5A BA
Switching frequency	
• with resistive load, max.	100 Hz
• with inductive load, max.	0.5 Hz
• on lamp load, max.	10 Hz
Total current of the outputs	
• Current per channel, max.	0.5 A; see additional description in the manual
• Current per group, max.	4 A; see additional description in the manual
• Current per module, max.	8 A; see additional description in the manual
Cable length	
• shielded, max.	1 000 m
• unshielded, max.	600 m
Encoder	
Connectable encoders	
• 2-wire sensor	Yes
- permissible quiescent current (2-wire sensor), max.	1.5 mA
Isochronous mode	
Isochronous operation (application synchronized up to terminal)	No
Interrupts/diagnostics/status information	
Diagnostics function	No
Substitute values connectable	No
Alarms	
• Diagnostic alarm	No
• Maintenance interrupt	No
• Hardware interrupt	No
Diagnostic messages	
• Monitoring the supply voltage	No
• Wire-break	No
• Short-circuit	No
• Group error	No

Article number	6ES7523-1BL00-0AA0 S7-1500, DI 16x24VDC/ DQ 16x24VDC/0.5A BA
Diagnostics indication LED	
• RUN LED	Yes; Green LED
• ERROR LED	Yes; Red LED
• Monitoring of the supply voltage (PWR-LED)	Yes; Green LED
• Channel status display	Yes; Green LED
• for channel diagnostics	No
• for module diagnostics	No
Potential separation	
Potential separation channels	
• between the channels and backplane bus	Yes
Ambient conditions	
Ambient temperature during operation	
• horizontal installation, min.	0 °C
• horizontal installation, max.	60 °C
• vertical installation, min.	0 °C
• vertical installation, max.	40 °C
Decentralized operation	
Prioritized startup	Yes
Dimensions	
Width	25 mm
Height	147 mm
Depth	129 mm
Weights	
Weight, approx.	280 g
Other	
Note:	Supplied incl. 40-pole push-in front connectors

Ordering data

Ordering data	Article No.
SM 523 digital input/output module	
Module width 25 mm; front connector (push-in) included in delivery package	
16 inputs, 24 V DC, isolated; 16 outputs, 24 V DC; 0.5 A, isolated	6ES7523-1BL00-0AA0
Accessories	
Front connectors	
For 25 mm modules; including cable ties and individual labeling strips; push-in terminal 40-pin; spare part	6ES7592-1BM00-0XA0
DIN A4 labeling sheets	
For 25 mm modules; 10 sheets with 20 labeling strips each for I/O modules; perforated, Al gray	6ES7592-1AX00-0AA0
U connector	
5 units; spare part	6ES7590-0AA00-0AA0

Ordering data	Article No.
Universal front door for I/O modules	
For 25 mm modules; 5 front doors; with 5 labeling strips (front) and 5 cabling diagrams per front door; spare part	6ES7528-0AA00-0AA0
SIMATIC Manual Collection	
Electronic manuals on DVD, multi-language: LOGO!, SIMADYN, SIMATIC bus components, SIMATIC C7, SIMATIC Distributed I/O, SIMATIC HMI, SIMATIC Sensors, SIMATIC NET, SIMATIC PC-based Automation, SIMATIC PCS 7, SIMATIC PG/PC, SIMATIC S7, SIMATIC Software, SIMATIC TDC	6ES7998-8XC01-8YE0
SIMATIC Manual Collection update service for 1 year	
Current "Manual Collection" DVD and the three subsequent updates	6ES7998-8XC01-8YE2

SIMATIC S7-1500 Advanced Controllers

I/O modules

SIPLUS digital modules

SIPLUS SM 521 digital input modules

Overview



- 16 and 32-channel digital input modules
- For flexible adaptation of the controller to the corresponding task
- For subsequent expansion of the system with additional inputs

Note:

SIPLUS extreme products are based on SIMATIC standard products. The contents listed here were taken from the respective standard products. SIPLUS extreme specific information was added.

Technical specifications

Article number	6AG1521-1BH00-7AB0	6AG1521-1BL00-7AB0	6AG1521-1BH50-7AA0	6AG1521-1FH00-7AA0
Based on	6ES7521-1BH00-0AB0 SIPLUS S7-1500 DI 16X24VDC HF	6ES7521-1BL00-0AB0 SIPLUS S7-1500 DI 32X24VDC HF	6ES7521-1BH50-0AA0 SIPLUS S7-1500 DI 16X24VDC SRC BA	6ES7521-1FH00-0AA0 SIPLUS S7-1500 DI 16X230VAC BA
Ambient conditions				
Ambient temperature during operation				
• horizontal installation, min.	-40 °C; = Tmin (incl. condensation/frost)	-40 °C; = Tmin (incl. condensation/frost)	-40 °C; = Tmin (incl. condensation/frost)	-40 °C; = Tmin (incl. condensation/frost)
• horizontal installation, max.	70 °C; = Tmax	70 °C; = Tmax; > +60 °C number of simultaneously controllable inputs max. 16	70 °C; = Tmax; > +60 °C number of simultaneously controllable inputs max. 8	70 °C; = Tmax; > +60 °C number of simultaneously controllable inputs max. 8
• vertical installation, min.	-40 °C; = Tmin	-40 °C; = Tmin	-40 °C; = Tmin	-40 °C; = Tmin
• vertical installation, max.	40 °C; = Tmax	40 °C; = Tmax	40 °C; = Tmax	40 °C; = Tmax
Altitude during operation relating to sea level				
• Installation altitude above sea level, max.	5 000 m	5 000 m	5 000 m	2 000 m
• Ambient air temperature-barometric pressure-altitude	Tmin ... Tmax at 1 140 hPa ... 795 hPa (-1 000 m ... +2 000 m) // Tmin ... (Tmax - 10 K) at 795 hPa ... 658 hPa (+2 000 m ... +3 500 m) // Tmin ... (Tmax -20 K) at 658 hPa ... 540 hPa (+3 500 m ... +5 000 m)	Tmin ... Tmax at 1 140 hPa ... 795 hPa (-1 000 m ... +2 000 m) // Tmin ... (Tmax - 10 K) at 795 hPa ... 658 hPa (+2 000 m ... +3 500 m) // Tmin ... (Tmax -20 K) at 658 hPa ... 540 hPa (+3 500 m ... +5 000 m)	Tmin ... Tmax at 1 140 hPa ... 795 hPa (-1 000 m ... +2 000 m) // Tmin ... (Tmax - 10 K) at 795 hPa ... 658 hPa (+2 000 m ... +3 500 m) // Tmin ... (Tmax -20 K) at 658 hPa ... 540 hPa (+3 500 m ... +5 000 m)	Tmin ... Tmax at 1 140 hPa ... 795 hPa (-1 000 m ... +2 000 m)
Relative humidity				
• With condensation, tested in accordance with IEC 60068-2-38, max.	100 %; RH incl. condensation/frost (no commissioning under condensation conditions)	100 %; RH incl. condensation/frost (no commissioning under condensation conditions)	100 %; RH incl. condensation/frost (no commissioning under condensation conditions)	100 %; RH incl. condensation/frost (no commissioning under condensation conditions)
Resistance				
Coolants and lubricants				
- Resistant to commercially available coolants and lubricants	Yes; Incl. diesel and oil droplets in the air	Yes; Incl. diesel and oil droplets in the air	Yes; Incl. diesel and oil droplets in the air	Yes; Incl. diesel and oil droplets in the air
Use in stationary industrial systems				
- to biologically active substances according to EN 60721-3-3	Yes; Class 3B2 mold, fungus and dry rot spores (with the exception of fauna); Class 3B3 on request	Yes; Class 3B2 mold, fungus and dry rot spores (with the exception of fauna); Class 3B3 on request	Yes; Class 3B2 mold, fungus and dry rot spores (with the exception of fauna); Class 3B3 on request	Yes; Class 3B2 mold, fungus and dry rot spores (with the exception of fauna); Class 3B3 on request
- to chemically active substances according to EN 60721-3-3	Yes; Class 3C4 (RH < 75 %) incl. salt spray acc. to EN 60068-2-52 (severity degree 3); *	Yes; Class 3C4 (RH < 75 %) incl. salt spray acc. to EN 60068-2-52 (severity degree 3); *	Yes; Class 3C4 (RH < 75 %) incl. salt spray acc. to EN 60068-2-52 (severity degree 3); *	Yes; Class 3C4 (RH < 75 %) incl. salt spray acc. to EN 60068-2-52 (severity degree 3); *
- to mechanically active substances according to EN 60721-3-3	Yes; Class 3S4 incl. sand, dust, *	Yes; Class 3S4 incl. sand, dust, *	Yes; Class 3S4 incl. sand, dust, *	Yes; Class 3S4 incl. sand, dust, *

Technical specifications (continued)

Article number	6AG1521-1BH00-7AB0	6AG1521-1BL00-7AB0	6AG1521-1BH50-7AA0	6AG1521-1FH00-7AA0
Based on	6ES7521-1BH00-0AB0 SIPLUS S7-1500 DI 16X24VDC HF	6ES7521-1BL00-0AB0 SIPLUS S7-1500 DI 32X24VDC HF	6ES7521-1BH50-0AA0 SIPLUS S7-1500 DI 16X24VDC SRC BA	6ES7521-1FH00-0AA0 SIPLUS S7-1500 DI 16X230VAC BA
Use on ships/at sea				
- to biologically active substances according to EN 60721-3-6	Yes; Class 6B2 mold and fungal spores (excluding fauna); Class 6B3 on request	Yes; Class 6B2 mold and fungal spores (excluding fauna); Class 6B3 on request	Yes; Class 6B2 mold and fungal spores (excluding fauna); Class 6B3 on request	Yes; Class 6B2 mold and fungal spores (excluding fauna); Class 6B3 on request
- to chemically active substances according to EN 60721-3-6	Yes; Class 6C3 (RH < 75 %) incl. salt spray acc. to EN 60068-2-52 (severity degree 3); *	Yes; Class 6C3 (RH < 75 %) incl. salt spray acc. to EN 60068-2-52 (severity degree 3); *	Yes; Class 6C3 (RH < 75 %) incl. salt spray acc. to EN 60068-2-52 (severity degree 3); *	Yes; Class 6C3 (RH < 75 %) incl. salt spray acc. to EN 60068-2-52 (severity degree 3); *
- to mechanically active substances according to EN 60721-3-6	Yes; Class 6S3 incl. sand, dust; *	Yes; Class 6S3 incl. sand, dust; *	Yes; Class 6S3 incl. sand, dust; *	Yes; Class 6S3 incl. sand, dust; *
Remark				
- Note regarding classification of environmental conditions acc. to EN 60721	* The supplied plug covers must remain in place over the unused interfaces during operation!	* The supplied plug covers must remain in place over the unused interfaces during operation!	* The supplied plug covers must remain in place over the unused interfaces during operation!	* The supplied plug covers must remain in place over the unused interfaces during operation!
Conformal coating				
• Coatings for printed circuit board assemblies acc. to EN 61086	Yes; Class 2 for high availability	Yes; Class 2 for high availability	Yes; Class 2 for high availability	Yes; Class 2 for high availability
• Protection against fouling acc. to EN 60664-3	Yes; Type 1 protection	Yes; Type 1 protection	Yes; Type 1 protection	Yes; Type 1 protection
• Military testing according to MIL-I-46058C, Amendment 7	Yes; Discoloration of coating possible during service life	Yes; Discoloration of coating possible during service life	Yes; Discoloration of coating possible during service life	Yes; Discoloration of coating possible during service life
• Qualification and Performance of Electrical Insulating Compound for Printed Board Assemblies according to IPC-CC-830A	Yes; Conformal coating, Class A	Yes; Conformal coating, Class A	Yes; Conformal coating, Class A	Yes; Conformal coating, Class A

Ordering data

SIPLUS SM 521 digital input modules

(Extended temperature range and exposure to media)

16 inputs, 24 V DC, isolated, parameterizable diagnostics and hardware interrupts

32 inputs, 24 V DC, isolated, parameterizable diagnostics and hardware interrupts

16 inputs, 24 V DC, isolated, input delay 3.2 ms

16 inputs, 230 V AC, isolated, input delay 20 ms

Article No.

6AG1521-1BH00-7AB0

6AG1521-1BL00-7AB0

6AG1521-1BH50-7AA0

6AG1521-1FH00-7AA0

Article No.

Accessories

See SIMATIC S7-1500 SM 521 digital input modules, page 4/89

SIMATIC S7-1500 Advanced Controllers

I/O modules

SIPLUS digital modules

SIPLUS SM 522 digital output modules

Overview



- 8, 16 and 32-channel digital output modules
- For flexible adaptation of the controller to the corresponding task
- For subsequent expansion of the system with additional outputs

Note:

SIPLUS extreme products are based on SIMATIC standard products. The contents listed here were taken from the respective standard products. SIPLUS extreme specific information has been added.

Technical specifications

Article number	6AG1522-1BF00-7AB0	6AG1522-1BH01-7AB0	6AG1522-1BL01-7AB0	6AG1522-5HF00-2AB0	6AG1522-5FF00-7AB0
Based on	6ES7522-1BF00-0AB0	6ES7522-1BH01-0AB0	6ES7522-1BL01-0AB0	6ES7522-5HF00-0AB0	6ES7522-5FF00-0AB0
	SIPLUS S7-1500 DQ 8X24VDC/2A HF	SIPLUS S7-1500 DQ 16X24VDC/0.5A HF	SIPLUS S7-1500 DQ 32X24VDC/0.5A HF	SIPLUS S7-1500 DQ 8X230VAC/5A ST (RELAY)	SIPLUS S7-1500 DQ 8X230VAC/2A ST (TRIAC)
Ambient conditions					
Ambient temperature during operation					
• horizontal installation, min.	-40 °C; = Tmin (incl. condensation/frost)	-40 °C; = Tmin (incl. condensation/frost)	-40 °C; = Tmin (incl. condensation/frost)	-25 °C; = Tmin (incl. condensation/frost)	-40 °C; = Tmin (incl. condensation/frost)
• horizontal installation, max.	70 °C; = Tmax; > +60 °C Number of simultaneously controllable outputs max. 8x 0.5 A, max. total current per group 2 A	70 °C; = Tmax; see Derating BasedOn (e.g. manual), additionally Tmax > 60 °C max. aggregate current 2 A per group	70 °C; = Tmax; see Derating BasedOn (e.g. manual), additionally Tmax > 60 °C max. aggregate current 2 A per group	60 °C; = Tmax	70 °C; = Tmax; > +60 °C number of simultaneously controllable outputs max. 8x 0.25 A, max. total current 2 A
• vertical installation, min.	-40 °C; = Tmin			-25 °C; = Tmin	-40 °C; = Tmin
• vertical installation, max.	40 °C; = Tmax			40 °C; = Tmax	40 °C; = Tmax
Altitude during operation relating to sea level					
• Installation altitude above sea level, max.	5 000 m	5 000 m	5 000 m	2 000 m	2 000 m
• Ambient air temperature-barometric pressure-altitude	Tmin ... Tmax at 1 140 hPa ... 795 hPa (-1 000 m ... +2 000 m) // Tmin ... (Tmax - 10 K) at 795 hPa ... 658 hPa (+2 000 m ... +3 500 m) // Tmin ... (Tmax -20 K) at 658 hPa ... 540 hPa (+3 500 m ... +5 000 m)	Tmin ... Tmax at 1 140 hPa ... 795 hPa (-1 000 m ... +2 000 m) // Tmin ... (Tmax - 10 K) at 795 hPa ... 658 hPa (+2 000 m ... +3 500 m) // Tmin ... (Tmax -20 K) at 658 hPa ... 540 hPa (+3 500 m ... +5 000 m)	Tmin ... Tmax at 1 140 hPa ... 795 hPa (-1 000 m ... +2 000 m) // Tmin ... (Tmax - 10 K) at 795 hPa ... 658 hPa (+2 000 m ... +3 500 m) // Tmin ... (Tmax -20 K) at 658 hPa ... 540 hPa (+3 500 m ... +5 000 m)	Tmin ... Tmax at 1 140 hPa ... 795 hPa (-1 000 m ... +2 000 m)	Tmin ... Tmax at 1 140 hPa ... 795 hPa (-1 000 m ... +2 000 m)
Relative humidity					
• With condensation, tested in accordance with IEC 60068-2-38, max.	100 %; RH incl. condensation/frost (no commissioning under condensation conditions)	100 %; RH incl. condensation / frost (no commissioning in bedewed state), horizontal installation	100 %; RH incl. condensation / frost (no commissioning in bedewed state), horizontal installation	100 %; RH incl. condensation/frost (no commissioning under condensation conditions)	100 %; RH incl. condensation/frost (no commissioning under condensation conditions)
Resistance					
Coolants and lubricants					
- Resistant to commercially available coolants and lubricants	Yes; Incl. diesel and oil droplets in the air	Yes; Incl. diesel and oil droplets in the air	Yes; Incl. diesel and oil droplets in the air	Yes; Incl. diesel and oil droplets in the air	Yes; Incl. diesel and oil droplets in the air

Technical specifications (continued)

Article number	6AG1522-1BF00-7AB0	6AG1522-1BH01-7AB0	6AG1522-1BL01-7AB0	6AG1522-5HF00-2AB0	6AG1522-5FF00-7AB0
Based on	6ES7522-1BF00-0AB0 SIPLUS S7-1500 DQ 8X24VDC/2A HF	6ES7522-1BH01-0AB0 SIPLUS S7-1500 DQ 16X24VDC/0.5A HF	6ES7522-1BL01-0AB0 SIPLUS S7-1500 DQ 32X24VDC/0.5A HF	6ES7522-5HF00-0AB0 SIPLUS S7-1500 DQ 8X230VAC/5A ST (RELAY)	6ES7522-5FF00-0AB0 SIPLUS S7-1500 DQ 8X230VAC/2A ST (TRIAC)
Use in stationary industrial systems					
- to biologically active substances according to EN 60721-3-3	Yes; Class 3B2 mold, fungus and dry rot spores (with the exception of fauna); Class 3B3 on request	Yes; Class 3B2 mold, fungus and dry rot spores (with the exception of fauna); Class 3B3 on request	Yes; Class 3B2 mold, fungus and dry rot spores (with the exception of fauna); Class 3B3 on request	Yes; Class 3B2 mold, fungus and dry rot spores (with the exception of fauna); Class 3B3 on request	Yes; Class 3B2 mold, fungus and dry rot spores (with the exception of fauna); Class 3B3 on request
- to chemically active substances according to EN 60721-3-3	Yes; Class 3C4 (RH < 75 %) incl. salt spray acc. to EN 60068-2-52 (severity degree 3); *	Yes; Class 3C4 (RH < 75 %) incl. salt spray acc. to EN 60068-2-52 (severity degree 3); *	Yes; Class 3C4 (RH < 75 %) incl. salt spray acc. to EN 60068-2-52 (severity degree 3); *	Yes; Class 3C4 (RH < 75 %) incl. salt spray acc. to EN 60068-2-52 (severity degree 3); *	Yes; Class 3C4 (RH < 75 %) incl. salt spray acc. to EN 60068-2-52 (severity degree 3); *
- to mechanically active substances according to EN 60721-3-3	Yes; Class 3S4 incl. sand, dust, *	Yes; Class 3S4 incl. sand, dust, *	Yes; Class 3S4 incl. sand, dust, *	Yes; Class 3S4 incl. sand, dust, *	Yes; Class 3S4 incl. sand, dust, *
Use on ships/at sea					
- to biologically active substances according to EN 60721-3-6	Yes; Class 6B2 mold and fungal spores (excluding fauna); Class 6B3 on request	Yes; Class 6B2 mold and fungal spores (excluding fauna); Class 6B3 on request	Yes; Class 6B2 mold and fungal spores (excluding fauna); Class 6B3 on request	Yes; Class 6B2 mold and fungal spores (excluding fauna); Class 6B3 on request	Yes; Class 6B2 mold and fungal spores (excluding fauna); Class 6B3 on request
- to chemically active substances according to EN 60721-3-6	Yes; Class 6C3 (RH < 75 %) incl. salt spray acc. to EN 60068-2-52 (severity degree 3); *	Yes; Class 6C3 (RH < 75 %) incl. salt spray acc. to EN 60068-2-52 (severity degree 3); *	Yes; Class 6C3 (RH < 75 %) incl. salt spray acc. to EN 60068-2-52 (severity degree 3); *	Yes; Class 6C3 (RH < 75 %) incl. salt spray acc. to EN 60068-2-52 (severity degree 3); *	Yes; Class 6C3 (RH < 75 %) incl. salt spray acc. to EN 60068-2-52 (severity degree 3); *
- to mechanically active substances according to EN 60721-3-6	Yes; Class 6S3 incl. sand, dust; *	Yes; Class 6S3 incl. sand, dust; *	Yes; Class 6S3 incl. sand, dust; *	Yes; Class 6S3 incl. sand, dust; *	Yes; Class 6S3 incl. sand, dust; *
Remark					
- Note regarding classification of environmental conditions acc. to EN 60721	* The supplied plug covers must remain in place over the unused interfaces during operation!	* The supplied plug covers must remain in place over the unused interfaces during operation!	* The supplied plug covers must remain in place over the unused interfaces during operation!	* The supplied plug covers must remain in place over the unused interfaces during operation!	* The supplied plug covers must remain in place over the unused interfaces during operation!
Conformal coating					
• Coatings for printed circuit board assemblies acc. to EN 61086	Yes; Class 2 for high availability	Yes; Class 2 for high availability	Yes; Class 2 for high availability	Yes; Class 2 for high availability	Yes; Class 2 for high availability
• Protection against fouling acc. to EN 60664-3	Yes; Type 1 protection	Yes; Type 1 protection	Yes; Type 1 protection	Yes; Type 1 protection	Yes; Type 1 protection
• Military testing according to MIL-I-46058C, Amendment 7	Yes; Discoloration of coating possible during service life	Yes; Discoloration of coating possible during service life	Yes; Discoloration of coating possible during service life	Yes; Discoloration of coating possible during service life	Yes; Discoloration of coating possible during service life
• Qualification and Performance of Electrical Insulating Compound for Printed Board Assemblies according to IPC-CC-830A	Yes; Conformal coating, Class A	Yes; Conformal coating, Class A	Yes; Conformal coating, Class A	Yes; Conformal coating, Class A	Yes; Conformal coating, Class A

Ordering data

SIPLUS SM 522 digital output modules

(Extended temperature range and exposure to media)

8 outputs, 24 V DC; 2 A, isolated	6AG1522-1BF00-7AB0
16 outputs, 24 V DC; 0.5 A, isolated	6AG1522-1BH01-7AB0
32 outputs, 24 V DC; 0.5 A, isolated	6AG1522-1BL01-7AB0
8 relay outputs, 230 V AC, 5 A	6AG1522-5HF00-2AB0
8 outputs (triac), 230 V AC, 2 A	6AG1522-5FF00-7AB0

Accessories

See SIMATIC S7-1500 SM 522 digital output modules, page 4/97

SIMATIC S7-1500 Advanced Controllers

I/O modules

Analog modules

SM 531 analog input modules

Overview



- 4 or 8-channel analog input modules
- Optionally with extremely short conversion times
- For the connection of analog sensors without additional amplifiers
- Even solves more complex automation tasks

4

Technical specifications

Article number	6ES7531-7QD00-0AB0	6ES7531-7QF00-0AB0	6ES7531-7KF00-0AB0	6ES7531-7NF10-0AB0	6ES7531-7NF00-0AB0
	S7-1500, AI 4xU/I/RTD/TC ST	S7-1500, AI 8xU/I/R/RTD BA	S7-1500, AI 8xU/I/RTD/TC ST	S7-1500, AI 8xU/I HS	S7-1500, AI 8xU/I HF
General information					
Product type designation	AI 4xU/I/RTD/TC ST	AI 8xU/I/R/RTD BA	AI 8xU/I/RTD/TC ST	AI 8xU/I HS	AI 8xU/I HF
Product function					
• I&M data	Yes; I&M0 to I&M3	Yes; I&M0 to I&M3	Yes; I&M0 to I&M3	Yes; I&M0 to I&M3	Yes; I&M0 to I&M3
• Measuring range scalable	No		No	No	No
• Scalable measured values	No		No	No	Yes
• Adjustment of measuring range	No		No	No	Yes
Engineering with					
• STEP 7 TIA Portal configurable/ integrated as of version	V13 / V13.0.2	V15.1 / V16	V12 / V12	V14 / -	V14 / -
• STEP 7 configurable/integrated as of version	V5.5 SP3 / -	V5.5 SP3 / -	V5.5 SP3 / -	V5.5 SP3 / -	V5.5 SP3 / -
• PROFIBUS as of GSD version/ GSD revision	V1.0 / V5.1	V1.0 / V5.1	V1.0 / V5.1	V1.0 / V5.1	V1.0 / V5.1
• PROFINET as of GSD version/ GSD revision	V2.3 / -	V2.3 / -	V2.3 / -	V2.3 / -	V2.3 / -
Operating mode					
• Oversampling	No	No	No	Yes	No
• MSI	Yes	Yes	Yes	Yes	Yes
Supply voltage					
Rated value (DC)	24 V		24 V	24 V	24 V
Reverse polarity protection	Yes		Yes	Yes	Yes

Technical specifications (continued)

Article number	6ES7531-7QD00-0AB0 S7-1500, AI 4xU/I/RTD/TC ST	6ES7531-7QF00-0AB0 S7-1500, AI 8xU/I/R/RTD BA	6ES7531-7KF00-0AB0 S7-1500, AI 8xU/I/RTD/TC ST	6ES7531-7NF10-0AB0 S7-1500, AI 8xU/I HS	6ES7531-7NF00-0AB0 S7-1500, AI 8xU/I HF
Analog inputs					
Number of analog inputs	4	8	8	8	8
• For current measurement	4	8	8	8	8
• For voltage measurement	4	8	8	8	8
• For resistance/resistance thermometer measurement	2	8	4		
• For thermocouple measurement	4		8		
permissible input voltage for voltage input (destruction limit), max.	28.8 V	12 V; 12 V continuous, 30 V for max. 1 s	28.8 V	28.8 V	28.8 V
permissible input current for current input (destruction limit), max.	40 mA	40 mA	40 mA	40 mA	40 mA
Constant measurement current for resistance-type transmitter, typ.		230 ... 370 µA	150 Ohm, 300 Ohm, 600 Ohm, Pt100, Pt200, Ni100: 1.25 mA; 6 000 Ohm, Pt500, Pt1000, Ni1000, LG-Ni1000: 0.625 mA; PTC: 0.472 mA		
Technical unit for temperature measurement adjustable	Yes; °C/°F/K	Yes; °C/°F/K	Yes; °C/°F/K		
Analog input with oversampling	No				
Standardization of measured values	No				
Input ranges (rated values), voltages					
• 0 to +5 V	No	No	No	No	No
• 0 to +10 V	No	No	No	No	No
• 1 V to 5 V	Yes	Yes	Yes	Yes	Yes
• -1 V to +1 V	Yes	Yes	Yes		
• -10 V to +10 V	Yes	Yes	Yes	Yes	Yes
• -2.5 V to +2.5 V	Yes	No	Yes	No	Yes
• -25 mV to +25 mV	No	No	No	No	No
• -250 mV to +250 mV	Yes	No	Yes	No	No
• -5 V to +5 V	Yes	Yes	Yes	Yes	Yes
• -50 mV to +50 mV	Yes	Yes	Yes	No	No
• -500 mV to +500 mV	Yes	Yes	Yes	No	No
• -80 mV to +80 mV	Yes	No	Yes	No	No
Input ranges (rated values), currents					
• 0 to 10 mA		No			
• 0 to 20 mA	Yes	Yes	Yes	Yes	Yes
• -20 mA to +20 mA	Yes	Yes	Yes	Yes	Yes
• 4 mA to 20 mA	Yes	Yes	Yes	Yes	Yes
Input ranges (rated values), thermocouples					
• Type B	Yes	No	Yes	No	No
• Type C	No	No	No	No	No
• Type E	Yes	No	Yes	No	No
• Type J	Yes	No	Yes	No	No
• Type K	Yes	No	Yes	No	No
• Type L	No	No	No	No	No
• Type N	Yes	No	Yes	No	No
• Type R	Yes	No	Yes	No	No
• Type S	Yes	No	Yes	No	No
• Type T	Yes	No	Yes	No	No
• Type U	No	No			
• Type TXK/TXK(L) to GOST	No	No	No	No	No

SIMATIC S7-1500 Advanced Controllers

I/O modules

Analog modules

SM 531 analog input modules

Technical specifications (continued)

Article number	6ES7531-7QD00-0AB0 S7-1500, AI 4xU/I/RTD/TC ST	6ES7531-7QF00-0AB0 S7-1500, AI 8xU/I/R/RTD BA	6ES7531-7KF00-0AB0 S7-1500, AI 8xU/I/RTD/TC ST	6ES7531-7NF10-0AB0 S7-1500, AI 8xU/I HS	6ES7531-7NF00-0AB0 S7-1500, AI 8xU/I HF
Input ranges (rated values), resistance thermometer					
• Cu 10	No	No	No	No	No
• Cu 10 according to GOST	No	No	No	No	No
• Cu 50	No	No	No	No	No
• Cu 50 according to GOST	No	No	No	No	No
• Cu 100	No	No	No	No	No
• Cu 100 according to GOST	No	No	No	No	No
• Ni 10	No	No	No	No	No
• Ni 10 according to GOST	No	No	No	No	No
• Ni 100	Yes; Standard/climate	Yes; Standard/climate	Yes; Standard/climate	No	No
• Ni 100 according to GOST	No	No	No	No	No
• Ni 1000	Yes; Standard/climate	Yes; Standard/climate	Yes; Standard/climate	No	No
• Ni 1000 according to GOST	No	No	No	No	No
• LG-Ni 1000	Yes; Standard/climate	Yes; Standard/climate	Yes; Standard/climate	No	No
• Ni 120	No	No	No	No	No
• Ni 120 according to GOST	No	No	No	No	No
• Ni 200	No	No	No	No	No
• Ni 200 according to GOST	No	No	No	No	No
• Ni 500	No	No	No	No	No
• Ni 500 according to GOST	No	No	No	No	No
• Pt 10	No	No	No	No	No
• Pt 10 according to GOST	No	No	No	No	No
• Pt 50	No	No	No	No	No
• Pt 50 according to GOST	No	No	No	No	No
• Pt 100	Yes; Standard/climate	Yes; Standard/climate	Yes; Standard/climate	No	No
• Pt 100 according to GOST	No	No	No	No	No
• Pt 1000	Yes; Standard/climate	Yes; Standard/climate	Yes; Standard/climate	No	No
• Pt 1000 according to GOST	No	No	No	No	No
• Pt 200	Yes; Standard/climate	No	Yes; Standard/climate	No	No
• Pt 200 according to GOST	No	No	No	No	No
• Pt 500	Yes; Standard/climate	No	Yes; Standard/climate	No	No
• Pt 500 according to GOST	No	No	No	No	No
Input ranges (rated values), resistors					
• 0 to 150 ohms	Yes	No	Yes	No	No
• 0 to 300 ohms	Yes	No	Yes	No	No
• 0 to 600 ohms	Yes	Yes	Yes	No	No
• 0 to 3000 ohms	No	No	No	No	No
• 0 to 6000 ohms	Yes	Yes	Yes	No	No
• PTC	Yes	Yes	Yes	No	No
Thermocouple (TC) Temperature compensation					
- parameterizable	Yes		Yes		
Cable length					
• shielded, max.	800 m; for U/I, 200 m for R/RTD, 50 m for TC	200 m; 50 m at 50 mV	800 m; for U/I, 200 m for R/RTD, 50 m for TC	800 m	800 m

Technical specifications (continued)

Article number	6ES7531-7QD00-0AB0 S7-1500, AI 4xU/I/RTD/TC ST	6ES7531-7QF00-0AB0 S7-1500, AI 8xU/I/R/RTD BA	6ES7531-7KF00-0AB0 S7-1500, AI 8xU/I/RTD/TC ST	6ES7531-7NF10-0AB0 S7-1500, AI 8xU/I HS	6ES7531-7NF00-0AB0 S7-1500, AI 8xU/I HF
Analog value generation for the inputs					
Integration and conversion time/ resolution per channel					
• Resolution with overrange (bit including sign), max.	16 bit	16 bit	16 bit	16 bit	24 bit; When using the function "Scaling of the measured values" or "Measuring range adaptation" (32 bit REAL format); 16 bit when using the S7 format (16 bit INTEGER)
• Integration time, parameterizable	Yes	Yes	Yes	Yes	Yes
• Integration time (ms)	2,5 / 16,67 / 20 / 100 ms	2,5 / 16,67 / 20 / 100 ms	2,5 / 16,67 / 20 / 100 ms	2,5 / 16,67 / 20 / 100 ms	Fast mode: 2.5 / 16.67 / 20 / 100 ms, standard mode: 7.5 / 50 / 60 / 300 ms
• Basic conversion time, including integration time (ms)	9 / 23 / 27 / 107 ms	10 / 24 / 27 / 107 ms	9 / 23 / 27 / 107 ms	9 / 23 / 27 / 107 ms	Fast mode: 4 / 18 / 22 / 102 ms; Standard mode: 9 / 52 / 62 / 302 ms
- additional conversion time for wire-break monitoring	9 ms (to be considered in R/RTD/TC measurement)	4 ms (to be considered in R/RTD/U 1 to 5 V measurement)	9 ms (to be considered in R/RTD/TC measurement)	9 ms (to be considered in R/RTD/TC measurement)	
- additional conversion time for resistance measurement	150 ohm, 300 ohm, 600 ohm, Pt100, Pt200, Ni100: 2 ms, 6000 ohm, Pt500, Pt1000, Ni1000, LG-Ni1000, PTC: 4 ms	8 ms	150 ohm, 300 ohm, 600 ohm, Pt100, Pt200, Ni100: 2 ms, 6000 ohm, Pt500, Pt1000, Ni1000, LG-Ni1000, PTC: 4 ms	150 ohm, 300 ohm, 600 ohm, Pt100, Pt200, Ni100: 2 ms, 6000 ohm, Pt500, Pt1000, Ni1000, LG-Ni1000, PTC: 4 ms	
• Interference voltage suppression for interference frequency f1 in Hz	400 / 60 / 50 / 10	400 / 60 / 50 / 10 Hz	400 / 60 / 50 / 10 Hz	400 / 60 / 50 / 10 Hz	400 / 60 / 50 / 10 Hz
• Basic execution time of the module (all channels released)					Corresponds to the channel with the highest basic conversion time
• Basic execution time of the module (all channels released)				62.5 µs; independent of number of activated channels	
Smoothing of measured values					
• parameterizable	Yes	Yes	Yes	Yes	Yes
Encoder					
Connection of signal encoders					
• for voltage measurement	Yes	Yes	Yes	Yes	Yes
• for current measurement as 2-wire transducer	Yes	Yes; with external supply	Yes	Yes	Yes; with external transmitter supply
- Burden of 2-wire transmitter, max.	820 Ω		820 Ω	820 Ω	
• for current measurement as 4-wire transducer	Yes	Yes	Yes	Yes	Yes
• for resistance measurement with two-wire connection	Yes; Only for PTC	Yes; Only for PTC	Yes; Only for PTC	No	No
• for resistance measurement with three-wire connection	Yes; All measuring ranges except PTC; internal compensation of the cable resistances	Yes; All measuring ranges except PTC; internal compensation of the cable resistances	Yes; All measuring ranges except PTC; internal compensation of the cable resistances	No	No
• for resistance measurement with four-wire connection	Yes; All measuring ranges except PTC		Yes; All measuring ranges except PTC	No	No

SIMATIC S7-1500 Advanced Controllers

I/O modules

Analog modules

SM 531 analog input modules

Technical specifications (continued)

Article number	6ES7531-7QD00-0AB0 S7-1500, AI 4xU/I/RTD/TC ST	6ES7531-7QF00-0AB0 S7-1500, AI 8xU/I/R/RTD BA	6ES7531-7KF00-0AB0 S7-1500, AI 8xU/I/RTD/TC ST	6ES7531-7NF10-0AB0 S7-1500, AI 8xU/I HS	6ES7531-7NF00-0AB0 S7-1500, AI 8xU/I HF
Errors/accuracies					
Basic error limit (operational limit at 25 °C)					
• Voltage, relative to input range, (+/-)	0.1 %	0.3 %	0.1 %	0.2 %	0.05 %
• Current, relative to input range, (+/-)	0.1 %	0.3 %	0.1 %	0.2 %	0.05 %
• Resistance, relative to input range, (+/-)	0.1 %	0.3 %	0.1 %		
• Resistance thermometer, relative to input range, (+/-)	0.1 %; Ptxxx standard: ±0.7 K, Ptxxx climate: ±0.2 K, Nixxx standard: ±0.3 K, Nixxx climate: ±0.15 K	Ptxxx Standard: ±1.0 K, Ptxxx Climate: ±0.5 K, Nixxx Standard: ±0.5 K, Nixxx Climate: ±0.5 K	Ptxxx standard: ±0.7 K, Ptxxx climate: ±0.2 K, Nixxx standard: ±0.3 K, Nixxx climate: ±0.15 K		
• Thermocouple, relative to input range, (+/-)	0.1 %; Type B: > 600 °C ±1.7 K, type E: > -200 °C ±0.7 K, type J: > -210 °C ±0.8 K, type K: > -200 °C ±1.2 K, type N: > -200 °C ±1.2 K, type R: > 0 °C ±1.9 K, type S: > 0 °C ±1.9 K, type T: > -200 °C ±0.8 K		Type B: > 600 °C ±1.7 K, type E: > -200 °C ±0.7 K, type J: > -210 °C ±0.8 K, type K: > -200 °C ±1.2 K, type N: > -200 °C ±1.2 K, type R: > 0 °C ±1.9 K, type S: > 0 °C ±1.9 K, type T: > -200 °C ±0.8 K		
Interference voltage suppression for $f = n \times (f_1 \pm 1 \%)$, $f_1 =$ interference frequency					
• Series mode interference (peak value of interference < rated value of input range), min.	40 dB	40 dB	40 dB		80 dB; in the Standard operating mode, 40 dB in the Fast operating mode
• Common mode voltage, max.	10 V	4 V	10 V	10 V	60 V DC/30 V AC
• Common mode interference, min.	60 dB	60 dB	60 dB	50 dB at 400 Hz; 60 dB at 60 / 50 / 10 Hz	80 dB
Isochronous mode					
Isochronous operation (application synchronized up to terminal)	No		No	Yes	No
Filtering and processing time (TCI), min.				80 µs	
Bus cycle time (TDP), min.				250 µs	
Interrupts/diagnostics/status information					
Diagnostics function	Yes	Yes	Yes	Yes	Yes
Alarms					
• Diagnostic alarm	Yes	Yes	Yes	Yes	Yes
• Limit value alarm	Yes; two upper and two lower limit values in each case	Yes; two upper and two lower limit values in each case	Yes; two upper and two lower limit values in each case	Yes; two upper and two lower limit values in each case	Yes; two upper and two lower limit values in each case
Diagnostic messages					
• Monitoring the supply voltage	Yes	No	Yes	Yes	Yes
• Wire-break	Yes; Only for 1 to 5 V, 4 to 20 mA, TC, R, and RTD	Yes; Only for 1 ... 5 V, 4 ... 20 mA, R, and RTD	Yes; Only for 1 to 5 V, 4 to 20 mA, TC, R, and RTD	Yes; only for 1 ... 5 V and 4 ... 20 mA	Yes; only for 1 ... 5 V and 4 ... 20 mA
• Short-circuit		No			
• Group error		No			
• Overflow/underflow	Yes	Yes	Yes	Yes	Yes
Diagnostics indication LED					
• RUN LED	Yes; Green LED	Yes; Green LED	Yes; Green LED	Yes; Green LED	Yes; Green LED
• ERROR LED	Yes; Red LED	Yes; Red LED	Yes; Red LED	Yes; Red LED	Yes; Red LED
• MAINT LED		No			
• Monitoring of the supply voltage (PWR-LED)	Yes; Green LED	No	Yes; Green LED	Yes; Green LED	Yes; Green LED
• Channel status display	Yes; Green LED	Yes; Green LED	Yes; Green LED	Yes; Green LED	Yes; Green LED
• for channel diagnostics	Yes; Red LED	Yes; Red LED	Yes; Red LED	Yes; Red LED	Yes; Red LED
• for module diagnostics	Yes; Red LED	Yes; Red LED	Yes; Red LED	Yes; Red LED	Yes; Red LED

Technical specifications (continued)

Article number	6ES7531-7QD00-0AB0 S7-1500, AI 4xU/I/RTD/TC ST	6ES7531-7QF00-0AB0 S7-1500, AI 8xU/I/R/RTD BA	6ES7531-7KF00-0AB0 S7-1500, AI 8xU/I/RTD/TC ST	6ES7531-7NF10-0AB0 S7-1500, AI 8xU/I HS	6ES7531-7NF00-0AB0 S7-1500, AI 8xU/I HF
Potential separation					
Potential separation channels					
• between the channels and backplane bus	Yes	Yes	Yes	Yes	Yes
Standards, approvals, certificates					
Suitable for applications according to AMS 2750			Yes; Declaration of Conformity, see online support entry 109757262		
Suitable for applications according to CQI-9			Yes; Based on AMS 2750 E		
Ambient conditions					
Ambient temperature during operation					
• horizontal installation, min.	0 °C	0 °C	0 °C	0 °C	0 °C
• horizontal installation, max.	60 °C	60 °C	60 °C	60 °C	60 °C
• vertical installation, min.	0 °C	0 °C	0 °C	0 °C	0 °C
• vertical installation, max.	40 °C	40 °C	40 °C	40 °C	40 °C
Decentralized operation					
Prioritized startup	No	No	No	Yes	Yes
Dimensions					
Width	25 mm	35 mm	35 mm	35 mm	35 mm
Height	147 mm	147 mm	147 mm	147 mm	147 mm
Depth	129 mm	129 mm	129 mm	129 mm	129 mm
Weights					
Weight, approx.	210 g	250 g	310 g	300 g	280 g
Other					
Note:	Supplied incl. 40-pole push-in front connectors. Additional basic error and noise for integration time = 2.5 ms: Voltage: ±250 mV (±0.02%), ±80 mV (±0.05%), ±50 mV (±0.05%); resistance: 150 Ohms (±0.02%); resistance thermometer: Pt100 climate: ±0.08 K, Ni100 climate: ±0.08 K; thermoelement: Type B, R, S: ±3 K, type E, J, K, N, T: ±1 K		Additional basic error and noise for integration time = 2.5 ms: Voltage: ±250 mV (±0.02%), ±80 mV (±0.05%), ±50 mV (±0.05%); resistance: 150 ohms ±0.02%; resistance thermometer: Pt100 climate: ±0.08 K, Ni100 climate: ±0.08 K; thermocouple: Type B, R, S: ±3 K, type E, J, K, N, T: ±1 K		

SIMATIC S7-1500 Advanced Controllers

I/O modules

Analog modules

SM 531 analog input modules

Technical specifications (continued)

Article number	6ES7531-7PF00-0AB0 S7-1500, AI 8 X U/R/RTD/TC HF
General information	
Product type designation	AI 8xU/R/RTD/TC HF
Product function	
• I&M data	Yes; I&M0 to I&M3
• Measuring range scalable	Yes
• Scalable measured values	No
• Adjustment of measuring range	No
Engineering with	
• STEP 7 TIA Portal configurable/integrated as of version	V14 / -
• STEP 7 configurable/integrated as of version	V5.5 SP3 / -
• PROFIBUS as of GSD version/GSD revision	V1.0 / V5.1
• PROFINET as of GSD version/GSD revision	V2.3 / -
Operating mode	
• Oversampling	No
• MSI	Yes
Supply voltage	
Rated value (DC)	24 V
Reverse polarity protection	Yes
Analog inputs	
Number of analog inputs	8; Plus one additional RTD (reference) channel
• For voltage measurement	8; Plus one additional RTD (reference) channel
• For resistance/resistance thermometer measurement	8; Plus one additional RTD (reference) channel
• For thermocouple measurement	8; Plus one additional RTD (reference) channel
permissible input voltage for voltage input (destruction limit), max.	20 V
Constant measurement current for resistance-type transmitter, typ.	150 Ohm, 300 Ohm, 600 Ohm, Cu10, Cu50, Cu100, Ni10, Ni100, Ni120, Ni200, Pt10, Pt50, Pt100, Pt200 climate: 1 mA; 6 kOhm, Ni500, Ni1000, LG-Ni1000, Pt200 standard, Pt500, Pt1000, PTC: 0.25 mA
Technical unit for temperature measurement adjustable	Yes; °C/°F/K
Input ranges (rated values), voltages	
• 0 to +5 V	No
• 0 to +10 V	No
• 1 V to 5 V	No
• -1 V to +1 V	Yes
• -10 V to +10 V	No
• -2.5 V to +2.5 V	No
• -25 mV to +25 mV	Yes
• -250 mV to +250 mV	Yes
• -5 V to +5 V	No
• -50 mV to +50 mV	Yes
• -500 mV to +500 mV	Yes
• -80 mV to +80 mV	Yes
Input ranges (rated values), currents	
• 0 to 20 mA	No
• -20 mA to +20 mA	No
• 4 mA to 20 mA	No

Article number	6ES7531-7PF00-0AB0 S7-1500, AI 8 X U/R/RTD/TC HF
Input ranges (rated values), thermocouples	
• Type B	Yes
• Type C	Yes
• Type E	Yes
• Type J	Yes
• Type K	Yes
• Type L	No
• Type N	Yes
• Type R	Yes
• Type S	Yes
• Type T	Yes
• Type TXK/TXK(L) to GOST	Yes
Input ranges (rated values), resistance thermometer	
• Cu 10	Yes; Standard/climate
• Cu 10 according to GOST	Yes; Standard/climate
• Cu 50	Yes; Standard/climate
• Cu 50 according to GOST	Yes; Standard/climate
• Cu 100	Yes; Standard/climate
• Cu 100 according to GOST	Yes; Standard/climate
• Ni 10	Yes; Standard/climate
• Ni 10 according to GOST	Yes; Standard/climate
• Ni 100	Yes; Standard/climate
• Ni 100 according to GOST	Yes; Standard/climate
• Ni 1000	Yes; Standard/climate
• Ni 1000 according to GOST	Yes; Standard/climate
• LG-Ni 1000	Yes; Standard/climate
• Ni 120	Yes; Standard/climate
• Ni 120 according to GOST	Yes; Standard/climate
• Ni 200	Yes; Standard/climate
• Ni 200 according to GOST	Yes; Standard/climate
• Ni 500	Yes; Standard/climate
• Ni 500 according to GOST	Yes; Standard/climate
• Pt 10	Yes; Standard/climate
• Pt 10 according to GOST	Yes; Standard/climate
• Pt 50	Yes; Standard/climate
• Pt 50 according to GOST	Yes; Standard/climate
• Pt 100	Yes; Standard/climate
• Pt 100 according to GOST	Yes; Standard/climate
• Pt 1000	Yes; Standard/climate
• Pt 1000 according to GOST	Yes; Standard/climate
• Pt 200	Yes; Standard/climate
• Pt 200 according to GOST	Yes; Standard/climate
• Pt 500	Yes; Standard/climate
• Pt 500 according to GOST	Yes; Standard/climate
Input ranges (rated values), resistors	
• 0 to 150 ohms	Yes
• 0 to 300 ohms	Yes
• 0 to 600 ohms	Yes
• 0 to 3000 ohms	No
• 0 to 6000 ohms	Yes
• PTC	Yes
Thermocouple (TC)	
Temperature compensation	
- parameterizable	Yes
Cable length	
• shielded, max.	800 m; at U; 200 m at R/RTD/TC

Technical specifications (continued)

Article number	6ES7531-7PF00-0AB0 S7-1500, AI 8 X U/R/RTD/TC HF
Analog value generation for the inputs	
Integration and conversion time/resolution per channel	
<ul style="list-style-type: none"> Resolution with overrange (bit including sign), max. 	21 bit; For measuring mode RTC and TC when using the function "Scalable temperature measuring range" (32 bit REAL format); 16 bit for measuring mode R and U; 16 bit for all measuring modes when using the S7 format (16 bit INTEGER)
<ul style="list-style-type: none"> Integration time, parameterizable 	Yes
<ul style="list-style-type: none"> Integration time (ms) 	Fast mode: 2.5 / 16.67 / 20 / 100 ms, standard mode: 7.5 / 50 / 60 / 300 ms
<ul style="list-style-type: none"> Basic conversion time, including integration time (ms) - additional conversion time for wire-break monitoring 	Fast mode: 4 / 18 / 22 / 102 ms; Standard mode: 9 / 52 / 62 / 302 ms Thermocouples, 150 Ohm, 300 Ohm, 600 Ohm, Cu10, Cu50, Cu100, Ni10, Ni100, Ni120, Ni200, Pt10, Pt50, Pt100: 4 ms; 6 kOhm, Ni500, Ni1000, LG-Ni1000, Pt200, Pt500, Pt1000: 13 ms
<ul style="list-style-type: none"> Interference voltage suppression for interference frequency f1 in Hz 	400 / 60 / 50 / 10 Hz
<ul style="list-style-type: none"> Basic execution time of the module (all channels released) 	Corresponds to the channel with the highest basic conversion time
Smoothing of measured values	
<ul style="list-style-type: none"> parameterizable 	Yes
Encoder	
Connection of signal encoders	
<ul style="list-style-type: none"> for voltage measurement 	Yes
<ul style="list-style-type: none"> for current measurement as 2-wire transducer 	No
<ul style="list-style-type: none"> for current measurement as 4-wire transducer 	No
<ul style="list-style-type: none"> for resistance measurement with two-wire connection 	Yes
<ul style="list-style-type: none"> for resistance measurement with three-wire connection 	Yes; All measuring ranges except PTC; internal compensation of the cable resistances
<ul style="list-style-type: none"> for resistance measurement with four-wire connection 	Yes; All measuring ranges except PTC
Errors/accuracies	
Basic error limit (operational limit at 25 °C)	
<ul style="list-style-type: none"> Voltage, relative to input range, (+/-) 	0.05 %
<ul style="list-style-type: none"> Resistance, relative to input range, (+/-) 	0.05 %
<ul style="list-style-type: none"> Resistance thermometer, relative to input range, (+/-) 	Cuxxx Standard: ±0.3 K, Cuxxx Klima: ±0.2 K, Ptxxx Standard: ±0.5 K, Ptxxx Klima: ±0.2 K, Nixxx Standard: ±0.3 K, Nixxx Klima: ±0.15 K
<ul style="list-style-type: none"> Thermocouple, relative to input range, (+/-) 	Type B: > 600 °C ±1 K, Type E: > -200 °C ±0.5 K, Type J: > -210 °C ±0.5 K, Type K: > -200 °C ±1 K, Type N: > -200 °C ±1 K, Type R: > 0 °C ±1 K, Type S: > 0 °C ±1 K, Type T: > -200 °C ±0.5 K, Type C: ±2 K, Type TXK/TXK(L): ±0.5 K

Article number	6ES7531-7PF00-0AB0 S7-1500, AI 8 X U/R/RTD/TC HF
Interference voltage suppression for f = n x (f1 +/- 1 %), f1 = interference frequency	
<ul style="list-style-type: none"> Series mode interference (peak value of interference < rated value of input range), min. Common mode voltage, max. Common mode interference, min. 	80 dB; in the Standard operating mode, 40 dB in the Fast operating mode 60 V DC/30 V AC 80 dB
Isochronous mode	
Isochronous operation (application synchronized up to terminal)	No
Interrupts/diagnostics/status information	
Diagnostics function	Yes
Alarms	
<ul style="list-style-type: none"> Diagnostic alarm Limit value alarm 	Yes Yes; two upper and two lower limit values in each case
Diagnostic messages	
<ul style="list-style-type: none"> Monitoring the supply voltage Wire-break Overflow/underflow 	Yes Yes; Only with TC, R, RTD Yes
Diagnostics indication LED	
<ul style="list-style-type: none"> RUN LED ERROR LED Monitoring of the supply voltage (PWR-LED) Channel status display for channel diagnostics for module diagnostics 	Yes; Green LED Yes; Red LED Yes; Green LED Yes; Green LED Yes; Red LED Yes; Red LED
Potential separation	
Potential separation channels	
<ul style="list-style-type: none"> between the channels and backplane bus 	Yes
Standards, approvals, certificates	
Suitable for applications according to AMS 2750	Yes; Declaration of Conformity, see online support entry 109757262
Suitable for applications according to CQI-9	Yes; Based on AMS 2750 E
Ambient conditions	
Ambient temperature during operation	
<ul style="list-style-type: none"> horizontal installation, min. horizontal installation, max. vertical installation, min. vertical installation, max. 	0 °C 60 °C 0 °C 40 °C
Decentralized operation	
Prioritized startup	Yes
Dimensions	
Width	35 mm
Height	147 mm
Depth	129 mm
Weights	
Weight, approx.	290 g
Other	
Note:	For the R/RDT three-wire measurement, the conductor compensation is made alternating with the measurement. This then requires two module cycles for a measured value.

SIMATIC S7-1500 Advanced Controllers

I/O modules

Analog modules

SM 531 analog input modules

Ordering data

SM 531 analog input modules

4 x U/I/RTD/TC

4 analog inputs, $\pm 10\text{ V}$, $\pm 5\text{ V}$, $\pm 2.5\text{ V}$, $\pm 1\text{ V}$, $\pm 500\text{ mV}$, $\pm 250\text{ mV}$, $\pm 80\text{ mV}$, $\pm 50\text{ mV}$, 1 ... 5 V, 0/4 ... 20 mA, $\pm 20\text{ mA}$, thermocouples type B, E, J, K, N, R, S, T, resistance thermometers Ni 100, Ni 1000, LG-Ni 1000, Pt100, Pt1000, Pt250, Pt500, resistors 0 ... 150/300/600/6000 ohms; 16 bits; incl. infeed element, shield bracket, shield terminal, labeling strips, U connector, printed front door

8 x U/I/R/RTD/

8 analog inputs $\pm 1\text{ V}$, $\pm 10\text{ V}$, $\pm 5\text{ V}$, $\pm 50\text{ mV}$, $\pm 500\text{ mV}$, 1 ... 5 V, 0/4 ... 20 mA, $\pm 20\text{ mA}$, resistance thermometers Ni 100, Ni 1000, LG-Ni 1000, Pt100, Pt1000, resistors 0 ... 600/6000 ohms, PTC; 16 bits; incl. infeed element, shield bracket, shield terminal, labeling strips, U connector, printed front door

8 x U/I HS

8 analog inputs, $\pm 10\text{ V}$, $\pm 5\text{ V}$, 1 ... 5 V or 0/4 ... 20 mA, $\pm 20\text{ mA}$, 16 bits + sign; incl. infeed element, shield bracket, shield terminal, labeling strips, U connector, printed front door

8 x U/I/RTD/TC

8 analog inputs $\pm 10\text{ V}$, $\pm 5\text{ V}$, $\pm 2.5\text{ V}$, $\pm 1\text{ V}$, $\pm 500\text{ mV}$, $\pm 250\text{ mV}$, $\pm 80\text{ mV}$, $\pm 50\text{ mV}$, 1 ... 5 V, 0/4 ... 20 mA, $\pm 20\text{ mA}$, thermocouples type B, E, J, K, N, R, S, T, resistance thermometers Ni 100, Ni 1000, LG-Ni 1000, Pt100, Pt1000, Pt250, Pt500, resistors 0 ... 150/300/600/6000 ohms; 16 bits; incl. infeed element, shield bracket, shield terminal, labeling strips, U connector, printed front door

8 x U/I HF

8 analog inputs, $\pm 10\text{ V}$, $\pm 5\text{ V}$, 1 ... 5 V or 0/4 ... 20 mA, $\pm 20\text{ mA}$, 16 bits + sign; incl. infeed element, shield bracket, shield terminal, labeling strips, U connector, printed front door

8 x U/R/RTD/TC

8 analog inputs, $\pm 1\text{ V}$, $\pm 500\text{ mV}$, $\pm 250\text{ mV}$, $\pm 80\text{ mV}$, $\pm 50\text{ mV}$, $\pm 25\text{ mV}$; thermocouples type B, E, J, K, N, R, S, T, TXK/TXK(L) according to GOST; resistance thermometers Cu 10, Cu 50, Cu 100, Ni 10, Ni 100, Ni 120, Ni 200, Ni 500, Ni 1000, LG-Ni 1000, Pt10, Pt50, Pt100, Pt200, Pt500, Pt1000; resistors 0...150/300/600/6000 ohms, PTC; 16 bits; incl. infeed element, shield bracket, shield terminal, labeling strips, U connector, printed front door

Article No.

6ES7531-7QD00-0AB0

6ES7531-7QF00-0AB0

6ES7531-7NF10-0AB0

6ES7531-7KF00-0AB0

6ES7531-7NF00-0AB0

6ES7531-7PF00-0AB0

Article No.

Accessories

Front connectors

For 35 mm modules; including four potential bridges, cable ties and individual labeling strips, 40-pin

- Screw terminals
- Push-in

6ES7592-1AM00-0XB0

6ES7592-1BM00-0XB0

For 25 mm modules; including cable ties and individual labeling strips; push-in terminal 40-pin; spare part

6ES7592-1BM00-0XA0

DIN A4 labeling sheets

For 35 mm modules; 10 sheets with 10 labeling strips each for I/O modules; perforated, Al gray

6ES7592-2AX00-0AA0

For 25 mm modules; 10 sheets with 20 labeling strips each for I/O modules; perforated, Al gray

6ES7592-1AX00-0AA0

U connector

5 units; spare part

6ES7590-0AA00-0AA0

Universal front door for I/O modules

For 35 mm modules; 5 front doors; with 5 labeling strips (front) and 5 cabling diagrams per front door; spare part

6ES7528-0AA00-7AA0

For 25 mm modules; 5 front doors; with 5 labeling strips (front) and 5 cabling diagrams per front door; spare part

6ES7528-0AA00-0AA0

Shielding set I/O

For 35 mm modules; infeed element, shield bracket, and shield terminal; 5 units, spare part (one shield set supplied with the module).

6ES7590-5CA00-0AA0

For 25 mm modules; infeed element, shield bracket, and shield terminal; 4 units, spare part (one shield set supplied with the module).

6ES7590-5CA10-0XA0

Shield terminal element

10 units; spare part

6ES7590-5BA00-0AA0

SIMATIC Manual Collection

Electronic manuals on DVD, multi-language: LOGO!, SIMADYN, SIMATIC bus components, SIMATIC C7, SIMATIC Distributed I/O, SIMATIC HMI, SIMATIC sensors, SIMATIC NET, SIMATIC PC-based Automation, SIMATIC PCS 7, SIMATIC PG/PC, SIMATIC S7, SIMATIC Software, SIMATIC TDC

6ES7998-8XC01-8YE0

SIMATIC Manual Collection update service for 1 year

Current "Manual Collection" DVD and the three subsequent updates

6ES7998-8XC01-8YE2

Overview



- 2, 4 and 8-channel analog output modules
- Optionally with extremely short conversion times
- For connecting analog actuators without additional amplifiers
- Even solves more complex automation tasks

Technical specifications

Article number	6ES7532-5NB00-0AB0	6ES7532-5HD00-0AB0	6ES7532-5HF00-0AB0	6ES7532-5ND00-0AB0
	S7-1500, AQ 2xU/I ST	S7-1500, AQ 4xU/I ST	S7-1500, AQ 8xU/I HS	S7-1500, AQ 4xU/I HF
General information				
Product type designation	AQ 2xU/I ST	AQ 4xU/I ST	AQ 8xU/I HS	AQ 4xU/I HF
Product function				
• I&M data	Yes; I&M0 to I&M3	Yes; I&M0 to I&M3	Yes; I&M0 to I&M3	Yes; I&M0 to I&M3
• Output range scalable	No	No	No	No
Engineering with				
• STEP 7 TIA Portal configurable/integrated as of version	V13 / V13.0.2	V12 / V12	V14 / -	V14 / -
• STEP 7 configurable/integrated as of version	V5.5 SP3 / -	V5.5 SP3 / -	V5.5 SP3 / -	V5.5 SP3 / -
• PROFIBUS as of GSD version/GSD revision	V1.0 / V5.1	V1.0 / V5.1	V1.0 / V5.1	V1.0 / V5.1
• PROFINET as of GSD version/GSD revision	V2.3 / -	V2.3 / -	V2.3 / -	V2.3 / -
Operating mode				
• Oversampling	No	No	Yes	No
• MSO	Yes	Yes	Yes	Yes
Supply voltage				
Rated value (DC)	24 V	24 V	24 V	24 V
Reverse polarity protection	Yes	Yes	Yes	Yes
Analog outputs				
Number of analog outputs	2	4	8	4
Cycle time (all channels), min.	3.2 ms; independent of number of activated channels	3.2 ms; independent of number of activated channels	125 µs; independent of number of activated channels	125 µs; independent of number of activated channels
Output ranges, voltage				
• 0 to 10 V	Yes	Yes	Yes	Yes
• 1 V to 5 V	Yes	Yes	Yes	Yes
• -5 V to +5 V	No	No	No	No
• -10 V to +10 V	Yes	Yes	Yes	Yes

SIMATIC S7-1500 Advanced Controllers

I/O modules

Analog modules

SM 532 analog output modules

Technical specifications (continued)

Article number	6ES7532-5NB00-0AB0 S7-1500, AQ 2xU/I ST	6ES7532-5HD00-0AB0 S7-1500, AQ 4xU/I ST	6ES7532-5HF00-0AB0 S7-1500, AQ 8xU/I HS	6ES7532-5ND00-0AB0 S7-1500, AQ 4xU/I HF
Output ranges, current				
• 0 to 20 mA	Yes	Yes	Yes	Yes
• -20 mA to +20 mA	Yes	Yes	Yes	Yes
• 4 mA to 20 mA	Yes	Yes	Yes	Yes
Connection of actuators				
• for voltage output two-wire connection	Yes	Yes	Yes	Yes
• for voltage output four-wire connection	Yes	Yes	Yes	Yes
• for current output two-wire connection	Yes	Yes	Yes	Yes
Load impedance (in rated range of output)				
• with voltage outputs, min.	1 k Ω ; 0.5 k Ω m at 1 to 5 V	1 k Ω ; 0.5 k Ω m at 1 to 5 V	1 k Ω	1 k Ω ; 0.5 k Ω m at 1 to 5 V
• with voltage outputs, capacitive load, max.	1 μ F	1 μ F	100 nF	1 μ F
• with current outputs, max.	750 Ω	750 Ω	500 Ω	750 Ω
• with current outputs, inductive load, max.	10 mH	10 mH	1 mH	10 mH
Cable length				
• shielded, max.	800 m; for current, 200 m for voltage	800 m; for current, 200 m for voltage	200 m	800 m; for current, 200 m for voltage
Analog value generation for the outputs				
Integration and conversion time/resolution per channel				
• Resolution with overrange (bit including sign), max.	16 bit	16 bit	16 bit	16 bit
• Conversion time (per channel)	0.5 ms	0.5 ms	50 μ s; independent of number of activated channels	125 μ s; independent of number of activated channels
Settling time				
• for resistive load	1.5 ms	1.5 ms	30 μ s; see additional description in the manual	0.2 ms; see additional description in the manual
• for capacitive load	2.5 ms	2.5 ms	100 μ s; see additional description in the manual	1.8 ms; see additional description in the manual
• for inductive load	2.5 ms	2.5 ms	100 μ s; see additional description in the manual	2 ms; see additional description in the manual
Errors/accuracies				
Basic error limit (operational limit at 25 °C)				
• Voltage, relative to output range, (+/-)	0.2 %	0.2 %	0.2 %	0.06 %
• Current, relative to output range, (+/-)	0.2 %	0.2 %	0.2 %	0.1 %
Isochronous mode				
Isochronous operation (application synchronized up to terminal)	No	No	Yes	Yes
Execution and activation time (TCO), min.			100 μ s	100 μ s
Bus cycle time (TDP), min.			250 μ s	250 μ s
Interrupts/diagnostics/status information				
Diagnostics function	Yes	Yes	Yes	Yes
Substitute values connectable	Yes	Yes	Yes	Yes
Alarms				
• Diagnostic alarm	Yes	Yes	Yes	Yes

Technical specifications (continued)

Article number	6ES7532-5NB00-0AB0 S7-1500, AQ 2xU/I ST	6ES7532-5HD00-0AB0 S7-1500, AQ 4xU/I ST	6ES7532-5HF00-0AB0 S7-1500, AQ 8xU/I HS	6ES7532-5ND00-0AB0 S7-1500, AQ 4xU/I HF
Diagnostic messages				
• Monitoring the supply voltage	Yes	Yes	Yes	Yes
• Wire-break	Yes; Only for output type "current"	Yes; Only for output type "current"	Yes; Only for output type "current"	Yes; Only for output type "current"
• Short-circuit	Yes; Only for output type "voltage"	Yes; Only for output type "voltage"	Yes; Only for output type "voltage"	Yes; Only for output type "voltage"
• Overflow/underflow	Yes	Yes	Yes	Yes
Diagnostics indication LED				
• RUN LED	Yes; Green LED	Yes; Green LED	Yes; Green LED	Yes; Green LED
• ERROR LED	Yes; Red LED	Yes; Red LED	Yes; Red LED	Yes; Red LED
• Monitoring of the supply voltage (PWR-LED)	Yes; Green LED	Yes; Green LED	Yes; Green LED	Yes; Green LED
• Channel status display	Yes; Green LED	Yes; Green LED	Yes; Green LED	Yes; Green LED
• for channel diagnostics	Yes; Red LED	Yes; Red LED	Yes; Red LED	Yes; Red LED
• for module diagnostics	Yes; Red LED	Yes; Red LED	Yes; Red LED	Yes; Red LED
Potential separation				
Potential separation channels				
• between the channels and backplane bus	Yes	Yes	Yes	Yes
Ambient conditions				
Ambient temperature during operation				
• horizontal installation, min.	0 °C			
• horizontal installation, max.	60 °C			
• vertical installation, min.	0 °C			
• vertical installation, max.	40 °C			
Decentralized operation				
Prioritized startup	No	No	No	Yes
Dimensions				
Width	25 mm	35 mm	35 mm	35 mm
Height	147 mm	147 mm	147 mm	147 mm
Depth	129 mm	129 mm	129 mm	129 mm
Weights				
Weight, approx.	200 g	310 g	325 g	300 g
Other				
Note:	Supplied incl. 40-pole push-in front connectors			

SIMATIC S7-1500 Advanced Controllers

I/O modules

Analog modules

SM 532 analog output modules

Ordering data

SM 532 analog output modules

Module width 25 mm

2 x U/I ST;
2 analog outputs, ± 10 V, 1 ... 5 V,
0 ... 10 V or ± 20 mA, 0/4 ... 20 mA,
16-bit;
incl. infeed element, shield bracket,
shield terminal, labeling strips,
U connector, printed front door

6ES7532-5NB00-0AB0

Module width 35 mm

4 x U/I ST;
4 analog outputs, ± 10 V, 1 ... 5 V,
0 ... 10 V or ± 20 mA, 0/4 ... 20 mA,
16-bit;
incl. infeed element, shield bracket,
shield terminal, labeling strips,
U connector, printed front door

6ES7532-5HD00-0AB0

8 x U/I HF;
8 analog outputs, ± 10 V, 1 ... 5 V,
0 ... 10 V or ± 20 mA, 0/4 ... 20 mA,
16-bit;
incl. infeed element, shield bracket,
shield terminal, labeling strips,
U connector, printed front door

6ES7532-5HF00-0AB0

4 x U/I HF;
4 analog outputs, ± 10 V, 1 ... 5 V,
0 ... 10 V or ± 20 mA, 0/4 ... 20 mA,
16-bit;
incl. infeed element, shield bracket,
shield terminal, labeling strips,
U connector, printed front door

6ES7532-5ND00-0AB0

Accessories

Front connectors

For 35 mm modules;
including four potential bridges,
cable ties and individual labeling
strips, 40-pin

- Screw terminals
- Push-in

6ES7592-1AM00-0XB0

6ES7592-1BM00-0XB0

6ES7592-1BM00-0XA0

For 25 mm modules;
including cable ties and individual
labeling strips; push-in terminal
40-pin;
spare part

DIN A4 labeling sheets

For 35 mm modules;
10 sheets with 10 labeling strips
each for I/O modules; perforated,
Al gray

6ES7592-2AX00-0AA0

For 25 mm modules;
10 sheets with 20 labeling strips
each for I/O modules; perforated,
Al gray

6ES7592-1AX00-0AA0

U connector

5 units; spare part

6ES7590-0AA00-0AA0

Universal front door for I/O modules

For 35 mm modules;
5 front doors; with 5 labeling strips
(front) and 5 cabling diagrams per
front door; spare part

6ES7528-0AA00-7AA0

For 25 mm modules;
5 front doors; with 5 labeling strips
(front) and 5 cabling diagrams per
front door; spare part

6ES7528-0AA00-0AA0

Shielding set I/O

For 35 mm modules;
infeed element, shield bracket,
and shield terminal;
5 units, spare part (one shield set
supplied with the module).

6ES7590-5CA00-0AA0

For 25 mm modules;
infeed element, shield bracket,
and shield terminal;
4 units, spare part (one shield set
supplied with the module).

6ES7590-5CA10-0XA0

Shield terminal element

10 units; spare part

6ES7590-5BA00-0AA0

SIMATIC Manual Collection

Electronic manuals on DVD,
multi-language:
LOGO!, SIMADYN, SIMATIC bus
components, SIMATIC C7,
SIMATIC Distributed I/O,
SIMATIC HMI, SIMATIC Sensors,
SIMATIC NET, SIMATIC PC-based
Automation, SIMATIC PCS 7,
SIMATIC PG/PC, SIMATIC S7,
SIMATIC Software, SIMATIC TDC

6ES7998-8XC01-8YE0

SIMATIC Manual Collection update service for 1 year

Current "Manual Collection" DVD
and the three subsequent updates

6ES7998-8XC01-8YE2

4

Overview



- 4 analog inputs/ 2 analog outputs
- For flexible adaptation of the controller to the corresponding task
- For subsequent expansion of the system with additional inputs and outputs
- For use in the tightest spaces

Technical specifications

Article number	6ES7534-7QE00-0AB0 S7-1500, AI 4x U/I/RTD/TC/AQ 2x U/I ST
General information	
Product type designation	AI 4xU/I/RTD/TC /AQ 2xU/I ST
Product function	
• I&M data	Yes; I&M0 to I&M3
• Measuring range scalable	No
• Scalable measured values	No
• Adjustment of measuring range	No
• Output range scalable	No
Engineering with	
• STEP 7 TIA Portal configurable/ integrated as of version	V13 / V13.0.2
• STEP 7 configurable/integrated as of version	V5.5 SP3 / -
• PROFIBUS as of GSD version/ GSD revision	V1.0 / V5.1
• PROFINET as of GSD version/ GSD revision	V2.3 / -
Operating mode	
• Oversampling	No
• MSI	Yes
• MSO	Yes
Supply voltage	
Rated value (DC)	24 V
Reverse polarity protection	Yes
Analog inputs	
Number of analog inputs	4
• For current measurement	4
• For voltage measurement	4
• For resistance/resistance thermometer measurement	2
• For thermocouple measurement	4
permissible input voltage for voltage input (destruction limit), max.	28.8 V
permissible input current for current input (destruction limit), max.	40 mA
Constant measurement current for resistance-type transmitter, typ.	150 Ohm, 300 Ohm, 600 Ohm, Pt100, Pt200, Ni100: 1.25 mA; 6 000 Ohm, Pt500, Pt1000, Ni1000, LG-Ni1000: 0.625 mA; PTC: 0.472 mA

Article number	6ES7534-7QE00-0AB0 S7-1500, AI 4x U/I/RTD/TC/AQ 2x U/I ST
Technical unit for temperature measurement adjustable	Yes; °C/°F/K
Analog input with oversampling	No
Standardization of measured values	No
Input ranges (rated values), voltages	
• 0 to +5 V	No
• 0 to +10 V	No
• 1 V to 5 V	Yes
• -1 V to +1 V	Yes
• -10 V to +10 V	Yes
• -2.5 V to +2.5 V	Yes
• -25 mV to +25 mV	No
• -250 mV to +250 mV	Yes
• -5 V to +5 V	Yes
• -50 mV to +50 mV	Yes
• -500 mV to +500 mV	Yes
• -80 mV to +80 mV	Yes
Input ranges (rated values), currents	
• 0 to 20 mA	Yes
• -20 mA to +20 mA	Yes
• 4 mA to 20 mA	Yes
Input ranges (rated values), thermocouples	
• Type B	Yes
• Type C	No
• Type E	Yes
• Type J	Yes
• Type K	Yes
• Type L	No
• Type N	Yes
• Type R	Yes
• Type S	Yes
• Type T	Yes
• Type U	No
• Type TXK/TXK(L) to GOST	No

SIMATIC S7-1500 Advanced Controllers

I/O modules

Analog modules

SM 534 analog input/output modules

Technical specifications (continued)

Article number	6ES7534-7QE00-0AB0
	S7-1500, AI 4x U/I/RTD/TC/AQ 2x U/I ST
Input ranges (rated values), resistance thermometer	
• Cu 10	No
• Cu 10 according to GOST	No
• Cu 50	No
• Cu 50 according to GOST	No
• Cu 100	No
• Cu 100 according to GOST	No
• Ni 10	No
• Ni 10 according to GOST	No
• Ni 100	Yes; Standard/climate
• Ni 100 according to GOST	No
• Ni 1000	Yes; Standard/climate
• Ni 1000 according to GOST	No
• LG-Ni 1000	Yes; Standard/climate
• Ni 120	No
• Ni 120 according to GOST	No
• Ni 200	No
• Ni 200 according to GOST	No
• Ni 500	No
• Ni 500 according to GOST	No
• Pt 10	No
• Pt 10 according to GOST	No
• Pt 50	No
• Pt 50 according to GOST	No
• Pt 100	Yes; Standard/climate
• Pt 100 according to GOST	No
• Pt 1000	Yes; Standard/climate
• Pt 1000 according to GOST	No
• Pt 200	Yes; Standard/climate
• Pt 200 according to GOST	No
• Pt 500	Yes; Standard/climate
• Pt 500 according to GOST	No
Input ranges (rated values), resistors	
• 0 to 150 ohms	Yes
• 0 to 300 ohms	Yes
• 0 to 600 ohms	Yes
• 0 to 3000 ohms	No
• 0 to 6000 ohms	Yes
• PTC	Yes
Thermocouple (TC)	
Temperature compensation - parameterizable	Yes
Cable length	
• shielded, max.	800 m; for U/I, 200 m for R/RTD, 50 m for TC
Analog outputs	
Number of analog outputs	2
Cycle time (all channels), min.	3.2 ms; ±0.5 ms, regardless of the number of activated channels
Output ranges, voltage	
• 0 to 10 V	Yes
• 1 V to 5 V	Yes
• -5 V to +5 V	No
• -10 V to +10 V	Yes

Article number	6ES7534-7QE00-0AB0
	S7-1500, AI 4x U/I/RTD/TC/AQ 2x U/I ST
Output ranges, current	
• 0 to 20 mA	Yes
• -20 mA to +20 mA	Yes
• 4 mA to 20 mA	Yes
Connection of actuators	
• for voltage output two-wire connection	Yes
• for voltage output four-wire connection	Yes
• for current output two-wire connection	Yes
Load impedance (in rated range of output)	
• with voltage outputs, min.	1 kΩ; 0.5 kΩ at 1 to 5 V
• with voltage outputs, capacitive load, max.	1 μF
• with current outputs, max.	750 Ω
• with current outputs, inductive load, max.	10 mH
Cable length	
• shielded, max.	800 m; for current, 200 m for voltage
Analog value generation for the inputs	
Integration and conversion time/ resolution per channel	
• Resolution with overrange (bit including sign), max.	16 bit
• Integration time, parameterizable	Yes
• Integration time (ms)	2,5 / 16,67 / 20 / 100 ms
• Basic conversion time, including integration time (ms)	9 / 23 / 27 / 107 ms
- additional conversion time for wire-break monitoring	9 ms
- additional conversion time for resistance measurement	150 ohm, 300 ohm, 600 ohm, Pt100, Pt200, Ni100: 2 ms, 6000 ohm, Pt500, Pt1000, Ni1000, LG-Ni1000, PTC: 4 ms
• Interference voltage suppression for interference frequency f1 in Hz	400 / 60 / 50 / 10
Smoothing of measured values	
• parameterizable	Yes
Analog value generation for the outputs	
Integration and conversion time/ resolution per channel	
• Resolution with overrange (bit including sign), max.	16 bit
• Conversion time (per channel)	0.5 ms
Settling time	
• for resistive load	1.5 ms
• for capacitive load	2.5 ms
• for inductive load	2.5 ms

Technical specifications (continued)

Article number	6ES7534-7QE00-0AB0 S7-1500, AI 4x U/I/RTD/TC/AQ 2x U/I ST
Encoder	
Connection of signal encoders	
• for voltage measurement	Yes
• for current measurement as 2-wire transducer	Yes
- Burden of 2-wire transmitter, max.	820 Ω
• for current measurement as 4-wire transducer	Yes
• for resistance measurement with two-wire connection	Yes; Only for PTC
• for resistance measurement with three-wire connection	Yes; All measuring ranges except PTC; internal compensation of the cable resistances
• for resistance measurement with four-wire connection	Yes; All measuring ranges except PTC
Errors/accuracies	
Basic error limit (operational limit at 25 °C)	
• Voltage, relative to input range, (+/-)	0.1 %
• Current, relative to input range, (+/-)	0.1 %
• Resistance, relative to input range, (+/-)	0.1 %
• Resistance thermometer, relative to input range, (+/-)	0.1 %; Ptxxx standard: ±0.7 K, Ptxxx climate: ±0.2 K, Nixxx standard: ±0.3 K, Nixxx climate: ±0.15 K
• Thermocouple, relative to input range, (+/-)	0.1 %; Type B: > 600 °C ±1.7 K, type E: > -200 °C ±0.7 K, type J: > -210 °C ±0.8 K, type K: > -200 °C ±1.2 K, type N: > -200 °C ±1.2 K, type R: > 0 °C ±1.9 K, type S: > 0 °C ±1.9 K, type T: > -200 °C ±0.8 K
• Voltage, relative to output range, (+/-)	0.2 %
• Current, relative to output range, (+/-)	0.2 %
Interference voltage suppression for $f = n \times (f_1 \pm 1 \%)$, $f_1 =$ interference frequency	
• Series mode interference (peak value of interference < rated value of input range), min.	40 dB
• Common mode voltage, max.	10 V
• Common mode interference, min.	60 dB
Isochronous mode	
Isochronous operation (application synchronized up to terminal)	No

Article number	6ES7534-7QE00-0AB0 S7-1500, AI 4x U/I/RTD/TC/AQ 2x U/I ST
Interrupts/diagnostics/status information	
Diagnostics function	Yes
Substitute values connectable	Yes
Alarms	
• Diagnostic alarm	Yes
• Limit value alarm	Yes; two upper and two lower limit values in each case
Diagnostic messages	
• Monitoring the supply voltage	Yes
• Wire-break	Yes; only for input type 1 ... 5 V, 4 ... 20 mA, TC, R, RTD and output type current
• Short-circuit	Yes; Only for output type "voltage"
• Overflow/underflow	Yes
Diagnostics indication LED	
• RUN LED	Yes; Green LED
• ERROR LED	Yes; Red LED
• Monitoring of the supply voltage (PWR-LED)	Yes; Green LED
• Channel status display	Yes; Green LED
• for channel diagnostics	Yes; Red LED
• for module diagnostics	Yes; Red LED
Potential separation	
Potential separation analog inputs	
• between the channels and backplane bus	Yes
Potential separation analog outputs	
• between the channels and backplane bus	Yes
Ambient conditions	
Ambient temperature during operation	
• horizontal installation, min.	0 °C
• horizontal installation, max.	60 °C
• vertical installation, min.	0 °C
• vertical installation, max.	40 °C
Decentralized operation	
Prioritized startup	No
Dimensions	
Width	25 mm
Height	147 mm
Depth	129 mm
Weights	
Weight, approx.	250 g
Other	
Note:	Supplied incl. 40-pole push-in front connectors. Additional basic error and noise for integration time = 2.5 ms: Voltage: ±250 mV (±0.02%), ±80 mV (±0.05%), ±50 mV (±0.05%); resistance: 150 Ohms (±0.02%); resistance thermometer: Pt100 climate: ±0.08 K, Ni100 climate: ±0.08 K; thermoelement: Type B, R, S: ±3 K, type E, J, K, N, T: ±1 K

SIMATIC S7-1500 Advanced Controllers

I/O modules

Analog modules

SM 534 analog input/output modules

Ordering data

Article No.

Article No.

SM 534 analog input/output module

Module width 25 mm

4 analog inputs ± 10 V, ± 5 V, ± 2.5 V, ± 1 V, ± 500 mV, ± 250 mV, ± 80 mV, ± 50 mV, 1 ... 5 V, 0/4 ... 20 mA, ± 20 mA, thermocouples type B, E, J, K, N, R, S, T, resistance thermometers Ni 100, Ni 1000, LG-Ni 1000, Pt 100, Pt 1000, Pt 250, Pt 500, resistors 0...150/300/600/6000 Ohm, 16 bits; 2 analog outputs, ± 10 V, 1 ... 5 V, 0 ... 10 V or ± 20 mA, 0/4 ... 20 mA, 16 bits; incl. infeed element, shield bracket, shield terminal, labeling strips, U connector, printed front door

6ES7534-7QE00-0AB0

Universal front door for I/O modules

For 25 mm modules; 5 front doors; with 5 labeling strips (front) and 5 cabling diagrams per front door; spare part

6ES7528-0AA00-0AA0

Shielding set I/O

For 25 mm modules; infeed element, shield bracket, and shield terminal; 4 units, spare part (one shield set supplied with the module).

6ES7590-5CA10-0XA0

Shield terminal element

10 units; spare part

6ES7590-5BA00-0AA0

SIMATIC Manual Collection

Electronic manuals on DVD, multi-language: LOGO!, SIMADYN, SIMATIC bus components, SIMATIC C7, SIMATIC Distributed I/O, SIMATIC HMI, SIMATIC Sensors, SIMATIC NET, SIMATIC PC-based Automation, SIMATIC PCS 7, SIMATIC PG/PC, SIMATIC S7, SIMATIC Software, SIMATIC TDC

6ES7998-8XC01-8YE0

SIMATIC Manual Collection update service for 1 year

Current "Manual Collection" DVD and the three subsequent updates

6ES7998-8XC01-8YE2

Accessories

Front connectors

For 25 mm modules; including cable ties and individual labeling strips; push-in terminal 40-pin; spare part

6ES7592-1BM00-0XA0

DIN A4 labeling sheets

For 25 mm modules; 10 sheets with 20 labeling strips each for I/O modules; perforated, Al gray

6ES7592-1AX00-0AA0

U connector

5 units; spare part

6ES7590-0AA00-0AA0

Overview



- 8-channel analog input modules
- Optionally with extremely short conversion times
- For the connection of analog sensors without additional amplifiers
- Even solves more complex automation tasks

Note:

SIPLUS extreme products are based on SIMATIC standard products. The contents listed here were taken from the respective standard products. SIPLUS extreme specific information was added.

Technical specifications

Article number	6AG1531-7NF10-7AB0	6AG1531-7KF00-7AB0
Based on	6ES7531-7NF10-0AB0 SIPLUS S7-1500 AI 8XU/I HS	6ES7531-7KF00-0AB0 SIPLUS S7-1500 AI 8XU/I/RTD/TC ST
Ambient conditions		
Ambient temperature during operation		
• horizontal installation, min.	-40 °C; = Tmin (incl. condensation/frost)	-40 °C; = Tmin (incl. condensation/frost)
• horizontal installation, max.	70 °C; = Tmax	70 °C; = Tmax
• vertical installation, min.	-40 °C; = Tmin	-40 °C; = Tmin
• vertical installation, max.	40 °C; = Tmax	40 °C; = Tmax
Altitude during operation relating to sea level		
• Installation altitude above sea level, max.	5 000 m	5 000 m
• Ambient air temperature-barometric pressure-altitude	Tmin ... Tmax at 1 140 hPa ... 795 hPa (-1 000 m ... +2 000 m) // Tmin ... (Tmax - 10 K) at 795 hPa ... 658 hPa (+2 000 m ... +3 500 m) // Tmin ... (Tmax -20 K) at 658 hPa ... 540 hPa (+3 500 m ... +5 000 m)	Tmin ... Tmax at 1 140 hPa ... 795 hPa (-1 000 m ... +2 000 m) // Tmin ... (Tmax - 10 K) at 795 hPa ... 658 hPa (+2 000 m ... +3 500 m) // Tmin ... (Tmax -20 K) at 658 hPa ... 540 hPa (+3 500 m ... +5 000 m)
Relative humidity		
• With condensation, tested in accordance with IEC 60068-2-38, max.	100 %; RH incl. condensation/frost (no commissioning under condensation conditions)	100 %; RH incl. condensation/frost (no commissioning under condensation conditions)
Resistance		
Coolants and lubricants		
- Resistant to commercially available coolants and lubricants	Yes; Incl. diesel and oil droplets in the air	Yes; Incl. diesel and oil droplets in the air
Use in stationary industrial systems		
- to biologically active substances according to EN 60721-3-3	Yes; Class 3B2 mold, fungus and dry rot spores (with the exception of fauna); Class 3B3 on request	Yes; Class 3B2 mold, fungus and dry rot spores (with the exception of fauna); Class 3B3 on request
- to chemically active substances according to EN 60721-3-3	Yes; Class 3C4 (RH < 75 %) incl. salt spray acc. to EN 60068-2-52 (severity degree 3); *	Yes; Class 3C4 (RH < 75 %) incl. salt spray acc. to EN 60068-2-52 (severity degree 3); *
- to mechanically active substances according to EN 60721-3-3	Yes; Class 3S4 incl. sand, dust, *	Yes; Class 3S4 incl. sand, dust, *

SIMATIC S7-1500 Advanced Controllers

I/O modules

SIPLUS analog modules

SIPLUS SM 531 analog input modules**Technical specifications** (continued)

Article number	6AG1531-7NF10-7AB0	6AG1531-7KF00-7AB0
Based on	6ES7531-7NF10-0AB0 SIPLUS S7-1500 AI 8XU/I HS	6ES7531-7KF00-0AB0 SIPLUS S7-1500 AI 8XU/I/RTD/TC ST
Use on ships/at sea		
- to biologically active substances according to EN 60721-3-6	Yes; Class 6B2 mold and fungal spores (excluding fauna); Class 6B3 on request	Yes; Class 6B2 mold and fungal spores (excluding fauna); Class 6B3 on request
- to chemically active substances according to EN 60721-3-6	Yes; Class 6C3 (RH < 75 %) incl. salt spray acc. to EN 60068-2-52 (severity degree 3); *	Yes; Class 6C3 (RH < 75 %) incl. salt spray acc. to EN 60068-2-52 (severity degree 3); *
- to mechanically active substances according to EN 60721-3-6	Yes; Class 6S3 incl. sand, dust; *	Yes; Class 6S3 incl. sand, dust; *
Remark		
- Note regarding classification of environmental conditions acc. to EN 60721	* The supplied plug covers must remain in place over the unused interfaces during operation!	* The supplied plug covers must remain in place over the unused interfaces during operation!
Conformal coating		
• Coatings for printed circuit board assemblies acc. to EN 61086	Yes; Class 2 for high availability	Yes; Class 2 for high availability
• Protection against fouling acc. to EN 60664-3	Yes; Type 1 protection	Yes; Type 1 protection
• Military testing according to MIL-I-46058C, Amendment 7	Yes; Discoloration of coating possible during service life	Yes; Discoloration of coating possible during service life
• Qualification and Performance of Electrical Insulating Compound for Printed Board Assemblies according to IPC-CC-830A	Yes; Conformal coating, Class A	Yes; Conformal coating, Class A

Ordering data**Article No.****Article No.****SIPLUS SM 531 analog input modules**

(Extended temperature range and exposure to media)

8 analog inputs, ± 10 V, ± 5 V, 1 ... 5 V or 0/4 ... 20 mA, ± 20 mA, 16 bits + sign; incl. infeed element, shield clamp, shield terminal, labeling strips, U connector, printed front door

8 analog inputs
 ± 10 V, ± 5 V, ± 2.5 V, ± 1 V, ± 500 mV, ± 250 mV, ± 80 mV, ± 50 mV, 1 ... 5 V, 0/4 ... 20 mA, ± 20 mA,
 thermocouples type B, E, J, K, N, R, S, T, resistance thermometers
 Ni 100, Ni 1000, LG-Ni 1000,
 Pt 100, Pt 1000, Pt 250, Pt 500,
 resistors 0...150/300/600/
 6000 Ohm,
 16 bits

6AG1531-7NF10-7AB0**6AG1531-7KF00-7AB0****Accessories**

See SIMATIC S7-1500 SM 531 analog input modules, page 4/112

Overview



- 4 and 8-channel analog output modules
- Optionally with extremely short conversion times
- For connecting analog actuators without additional amplifiers
- Even solves more complex automation tasks

Note:

SIPLUS extreme products are based on SIMATIC standard products. The contents listed here were taken from the respective standard products. SIPLUS extreme specific information was added.

Technical specifications

Article number	6AG1532-5HD00-7AB0	6AG1532-5HF00-7AB0
Based on	6ES7532-5HD00-0AB0 SIPLUS S7-1500 AQ 4XU/I ST	6ES7532-5HF00-0AB0 SIPLUS S7-1500 AQ 8XU/I HS
Ambient conditions		
Ambient temperature during operation		
• horizontal installation, min.	-40 °C; = Tmin (incl. condensation/frost)	-40 °C; = Tmin (incl. condensation/frost); start-up @ -25 °C
• horizontal installation, max.	70 °C; = Tmax	70 °C; = Tmax; > +60 °C max. 4x ±10 V permissible
• vertical installation, min.	-40 °C; = Tmin	-40 °C; = Tmin; Startup @ -25 °C
• vertical installation, max.	40 °C; = Tmax	40 °C; = Tmax
Altitude during operation relating to sea level		
• Installation altitude above sea level, max.	5 000 m	5 000 m
• Ambient air temperature-barometric pressure-altitude	Tmin ... Tmax at 1 140 hPa ... 795 hPa (-1 000 m ... +2 000 m) // Tmin ... (Tmax - 10 K) at 795 hPa ... 658 hPa (+2 000 m ... +3 500 m) // Tmin ... (Tmax -20 K) at 658 hPa ... 540 hPa (+3 500 m ... +5 000 m)	Tmin ... Tmax at 1 140 hPa ... 795 hPa (-1 000 m ... +2 000 m) // Tmin ... (Tmax - 10 K) at 795 hPa ... 658 hPa (+2 000 m ... +3 500 m) // Tmin ... (Tmax -20 K) at 658 hPa ... 540 hPa (+3 500 m ... +5 000 m)
Relative humidity		
• With condensation, tested in accordance with IEC 60068-2-38, max.	100 %; RH incl. condensation/frost (no commissioning under condensation conditions)	100 %; RH incl. condensation/frost (no commissioning under condensation conditions)
Resistance		
Coolants and lubricants		
- Resistant to commercially available coolants and lubricants	Yes; Incl. diesel and oil droplets in the air	Yes; Incl. diesel and oil droplets in the air
Use in stationary industrial systems		
- to biologically active substances according to EN 60721-3-3	Yes; Class 3B2 mold, fungus and dry rot spores (with the exception of fauna); Class 3B3 on request	Yes; Class 3B2 mold, fungus and dry rot spores (with the exception of fauna); Class 3B3 on request
- to chemically active substances according to EN 60721-3-3	Yes; Class 3C4 (RH < 75 %) incl. salt spray acc. to EN 60068-2-52 (severity degree 3); *	Yes; Class 3C4 (RH < 75 %) incl. salt spray acc. to EN 60068-2-52 (severity degree 3); *
- to mechanically active substances according to EN 60721-3-3	Yes; Class 3S4 incl. sand, dust, *	Yes; Class 3S4 incl. sand, dust, *

SIMATIC S7-1500 Advanced Controllers

I/O modules

SIPLUS analog modules

SIPLUS SM 532 analog output modules

Technical specifications (continued)

Article number	6AG1532-5HD00-7AB0	6AG1532-5HF00-7AB0
Based on	6ES7532-5HD00-0AB0 SIPLUS S7-1500 AQ 4XU/I ST	6ES7532-5HF00-0AB0 SIPLUS S7-1500 AQ 8XU/I HS
Use on ships/at sea		
- to biologically active substances according to EN 60721-3-6	Yes; Class 6B2 mold and fungal spores (excluding fauna); Class 6B3 on request	Yes; Class 6B2 mold and fungal spores (excluding fauna); Class 6B3 on request
- to chemically active substances according to EN 60721-3-6	Yes; Class 6C3 (RH < 75 %) incl. salt spray acc. to EN 60068-2-52 (severity degree 3); *	Yes; Class 6C3 (RH < 75 %) incl. salt spray acc. to EN 60068-2-52 (severity degree 3); *
- to mechanically active substances according to EN 60721-3-6	Yes; Class 6S3 incl. sand, dust; *	Yes; Class 6S3 incl. sand, dust; *
Remark		
- Note regarding classification of environmental conditions acc. to EN 60721	* The supplied plug covers must remain in place over the unused interfaces during operation!	* The supplied plug covers must remain in place over the unused interfaces during operation!
Conformal coating		
• Coatings for printed circuit board assemblies acc. to EN 61086	Yes; Class 2 for high availability	Yes; Class 2 for high availability
• Protection against fouling acc. to EN 60664-3	Yes; Type 1 protection	Yes; Type 1 protection
• Military testing according to MIL-I-46058C, Amendment 7	Yes; Discoloration of coating possible during service life	Yes; Discoloration of coating possible during service life
• Qualification and Performance of Electrical Insulating Compound for Printed Board Assemblies according to IPC-CC-830A	Yes; Conformal coating, Class A	Yes; Conformal coating, Class A

Ordering data

SIPLUS SM 532 analog output modules

(Extended temperature range and exposure to media)

4 analog outputs, ± 10 V, 1 ... 5 V, 0 ... 10 V or ± 20 mA, 0/4 ... 20 mA, 16 bits8 analog outputs, ± 10 V, 1 ... 5 V, 0 ... 10 V or ± 20 mA, 0/4 ... 20 mA, 16 bits; incl. infeed element, shield clamp, shield terminal, labeling strips, U connector, printed front door

Article No.

6AG1532-5HD00-7AB0

6AG1532-5HF00-7AB0

Article No.

Accessories

See SIMATIC S7-1500 SM 532 analog output modules, page 4/116

Overview



- 2-channel high-speed counter module
- With comprehensive parameterization options for an optimum adaptation to the task and reduction of control load
- Speed and time period measuring
- Storage and comparison functions
- Connection of 24 V encoders

Technical specifications

Article number	6ES7550-1AA00-0AB0 S7-1500, TM Count 2x24V
General information	
Product type designation	TM Count 2x24V
Product function	
• I&M data	Yes; I&M0 to I&M3
Engineering with	
• STEP 7 TIA Portal configurable/ integrated as of version	V12 (FW V1.0) ... V15 (FW V1.3)/ V12 (FW V1.0), V13 (FW V1.1)
• PROFIBUS as of GSD version/ GSD revision	GSD Revision 5
• PROFINET as of GSD version/ GSD revision	V2.3 / -
Installation type/mounting	
Rail mounting	Yes; S7-1500 mounting rail
Supply voltage	
Load voltage L+	
• Rated value (DC)	24 V
• Reverse polarity protection	Yes
Encoder supply	
Number of outputs	1; A common 24V encoder supply for both channels
24 V encoder supply	
• 24 V	Yes; L+ (-0.8 V)
• Short-circuit protection	Yes
• Output current, max.	1 A; total current of all encoders/ channels

Article number	6ES7550-1AA00-0AB0 S7-1500, TM Count 2x24V
Digital inputs	
Number of digital inputs	6; 3 per channel
Digital inputs, parameterizable	Yes
Input characteristic curve in accordance with IEC 61131, type 3	Yes
Digital input functions, parameterizable	
• Gate start/stop	Yes
• Capture	Yes
• Synchronization	Yes
• Freely usable digital input	Yes
Input voltage	
• Type of input voltage	DC
• Rated value (DC)	24 V
• for signal "0"	-5 ... +5 V
• for signal "1"	+11 to +30V
• permissible voltage at input, min.	-30 V; -5 V continuous, -30 V brief reverse polarity protection
• permissible voltage at input, max.	30 V
Input current	
• for signal "1", typ.	2.5 mA
Input delay (for rated value of input voltage)	
for standard inputs	
- parameterizable	Yes; none / 0.05 / 0.1 / 0.4 / 0.8 / 1.6 / 3.2 / 12.8 / 20 ms
- at "0" to "1", min.	6 µs; for parameterization "none"
- at "1" to "0", min.	6 µs; for parameterization "none"
for technological functions	
- parameterizable	Yes
Cable length	
• shielded, max.	1 000 m
• unshielded, max.	600 m

SIMATIC S7-1500 Advanced Controllers

I/O modules

Technology modules

TM Count 2x24V counter module

Technical specifications (continued)

Article number	6ES7550-1AA00-0AB0 S7-1500, TM Count 2x24V
Digital outputs	
Type of digital output	Transistor
Number of digital outputs	4; 2 per channel
Digital outputs, parameterizable	Yes
Short-circuit protection	Yes; electronic/thermal
Limitation of inductive shutdown voltage to	L+ (-33 V)
Controlling a digital input	Yes
Digital output functions, parameterizable	
• Switching tripped by comparison values	Yes
• Freely usable digital output	Yes
Switching capacity of the outputs	
• with resistive load, max.	0.5 A; Per digital output
• on lamp load, max.	5 W
Load resistance range	
• lower limit	48 Ω
• upper limit	12 kΩ
Output voltage	
• Type of output voltage	DC
• for signal "1", min.	23.2 V; L+ (-0.8 V)
Output current	
• for signal "1" rated value	0.5 A; Per digital output
• for signal "0" residual current, max.	0.5 mA
Output delay with resistive load	
• "0" to "1", max.	50 μs
• "1" to "0", max.	50 μs
Switching frequency	
• with resistive load, max.	10 kHz
• with inductive load, max.	0.5 Hz; Acc. to IEC 60947-5-1, DC-13; observe derating curve
• on lamp load, max.	10 Hz
Total current of the outputs	
• Current per module, max.	2 A
Cable length	
• shielded, max.	1 000 m
• unshielded, max.	600 m
Encoder	
Connectable encoders	
• 2-wire sensor	Yes
- permissible quiescent current (2-wire sensor), max.	1.5 mA
Encoder signals, incremental encoder (asymmetrical)	
• Input voltage	24 V
• Input frequency, max.	200 kHz
• Counting frequency, max.	800 kHz; with quadruple evaluation
• Cable length, shielded, max.	600 m; depending on input frequency, encoder and cable quality; max. 50 m at 200 kHz
• Signal filter, parameterizable	Yes
• Incremental encoder with A/B tracks, 90° phase offset	Yes
• Incremental encoder with A/B tracks, 90° phase offset and zero track	Yes
• Pulse encoder	Yes
• Pulse encoder with direction	Yes
• Pulse encoder with one impulse signal per count direction	Yes

Article number	6ES7550-1AA00-0AB0 S7-1500, TM Count 2x24V
Encoder signal 24 V	
- permissible voltage at input, min.	-30 V
- permissible voltage at input, max.	30 V
Interface types	
• Source/sink input	Yes
• Input characteristic curve in accordance with IEC 61131, type 3	Yes
Isochronous mode	
Isochronous operation (application synchronized up to terminal)	Yes
Filtering and processing time (TCI), min.	130 μs
Bus cycle time (TDP), min.	250 μs
Interrupts/diagnostics/status information	
Alarms	
• Diagnostic alarm	Yes
• Hardware interrupt	Yes
Diagnostic messages	
• Monitoring the supply voltage	Yes
• Wire-break	Yes
• Short-circuit	Yes
• A/B transition error at incremental encoder	Yes
Diagnostics indication LED	
• RUN LED	Yes; Green LED
• ERROR LED	Yes; Red LED
• MAINT LED	Yes; yellow LED
• Monitoring of the supply voltage (PWR-LED)	Yes; Green LED
• Channel status display	Yes; Green LED
• for channel diagnostics	Yes; Red LED
• Status indicator backward counting (green)	Yes
• Status indicator forward counting (green)	Yes
Integrated Functions	
Number of counters	2
Counting frequency (counter) max.	800 kHz; with quadruple evaluation
Counting functions	
• Can be used with TO High_Speed_Counter	Yes
• Continuous counting	Yes
• Counter response parameterizable	Yes
• Hardware gate via digital input	Yes
• Software gate	Yes
• Event-controlled stop	Yes
• Synchronization via digital input	Yes
• Counting range, parameterizable	Yes
Comparator	
- Number of comparators	2; Per channel
- Direction dependency	Yes
- Can be changed from user program	Yes

Technical specifications (continued)

Article number	6ES7550-1AA00-0AB0 S7-1500, TM Count 2x24V
Position detection	
• Incremental acquisition	Yes
• Suitable for S7-1500 motion control	Yes
Measuring functions	
• Measuring time, parameterizable	Yes
• Dynamic measurement period adjustment	Yes
• Number of thresholds, parameterizable	2
Measuring range	
- Frequency measurement, min.	0.04 Hz
- Frequency measurement, max.	800 kHz
- Cycle duration measurement, min.	1.25 µs
- Cycle duration measurement, max.	25 s
Accuracy	
- Frequency measurement	100 ppm; depending on measuring interval and signal evaluation
- Cycle duration measurement	100 ppm; depending on measuring interval and signal evaluation
- Velocity measurement	100 ppm; depending on measuring interval and signal evaluation
Potential separation	
Potential separation channels	
• between the channels and backplane bus	Yes

Article number	6ES7550-1AA00-0AB0 S7-1500, TM Count 2x24V
Ambient conditions	
Ambient temperature during operation	
• horizontal installation, min.	0 °C
• horizontal installation, max.	60 °C; Please note derating for inductive loads
• vertical installation, min.	0 °C
• vertical installation, max.	40 °C; Please note derating for inductive loads
Decentralized operation	
to SIMATIC S7-300	Yes
to SIMATIC S7-400	Yes
to SIMATIC S7-1200	Yes
to SIMATIC S7-1500	Yes
to standard PROFIBUS master	Yes; FW V1.1 and higher
to standard PROFINET controller	Yes
Dimensions	
Width	35 mm
Height	147 mm
Depth	129 mm
Weights	
Weight, approx.	250 g

Ordering data

Ordering data	Article No.
TM Count 2x24V counter module	6ES7550-1AA00-0AB0
With 2 channels, max. 200 kHz; for 24 V encoder	
Accessories	
Front connectors	
For 35 mm modules; including four potential bridges, cable ties and individual labeling strips, 40-pin	
• Screw terminals	6ES7592-1AM00-0XB0
• Push-in	6ES7592-1BM00-0XB0
DIN A4 labeling sheets	6ES7592-2AX00-0AA0
10 sheets with 10 labeling strips each for I/O modules; perforated, Al grey	
U connector	6ES7590-0AA00-0AA0
5 units; spare part	
Universal front door for I/O modules	6ES7528-0AA00-7AA0
5 front doors; with 5 labeling strips (front) and 5 cabling diagrams per front door; spare part	

Ordering data	Article No.
Shielding set I/O	6ES7590-5CA00-0AA0
Infeed element, shield clamp, and shield terminal; 5 units, spare part	
Shield terminal element	6ES7590-5BA00-0AA0
10 units; spare part	
SIMATIC Manual Collection	6ES7998-8XC01-8YE0
Electronic manuals on DVD, multi-language: LOGO!, SIMADYN, SIMATIC bus components, SIMATIC C7, SIMATIC Distributed I/O, SIMATIC HMI, SIMATIC Sensors, SIMATIC NET, SIMATIC PC-based Automation, SIMATIC PCS 7, SIMATIC PG/PC, SIMATIC S7, SIMATIC Software, SIMATIC TDC	
SIMATIC Manual Collection update service for 1 year	6ES7998-8XC01-8YE2
Current "Manual Collection" DVD and the three subsequent updates	

SIMATIC S7-1500 Advanced Controllers

I/O modules

Technology modules

TM PosInput 2 counter and position detection module

Overview



- 2-channel counter and position detection module with RS 422 interface
- Extensive parameterization options for optimum task-specific adaptation
- Reduces load on controller due to preprocessing on the module
- Position detection with incremental and SSI absolute encoders
- Speed and time period measuring
- Storage and comparison functions
- Connection of encoders with RS 422 signals or 5V-TTL signals

4

Technical specifications

Article number	6ES7551-1AB00-0AB0 S7-1500, TM Posinput 2
General information	
Product type designation	TM PosInput 2
Product function	
• I&M data	Yes; I&M0 to I&M3
Engineering with	
• STEP 7 TIA Portal configurable/ integrated as of version	V12 (FW V1.0) ... V15 (FW V1.3)/ V12 (FW V1.0), V13 (FW V1.1)
• PROFIBUS as of GSD version/ GSD revision	GSD Revision 5
• PROFINET as of GSD version/ GSD revision	V2.3 / -
Installation type/mounting	
Rail mounting	Yes; S7-1500 mounting rail
Supply voltage	
Load voltage L+	
• Rated value (DC)	24 V
• Reverse polarity protection	Yes
Encoder supply	
Number of outputs	4; One 5V and 24V encoder supply per channel
5 V encoder supply	
• 5 V	Yes; 5.2 V \pm 2 %
• Short-circuit protection	Yes
• Output current, max.	300 mA; Per channel
24 V encoder supply	
• 24 V	Yes; L+ (-0.8 V)
• Short-circuit protection	Yes
• Output current, max.	300 mA; Per channel
Digital inputs	
Number of digital inputs	4; 2 per channel
Digital inputs, parameterizable	Yes
Input characteristic curve in accordance with IEC 61131, type 3	Yes
Digital input functions, parameterizable	
• Gate start/stop	Yes; only for pulse and incremental encoders
• Capture	Yes
• Synchronization	Yes; only for pulse and incremental encoders
• Freely usable digital input	Yes

Article number	6ES7551-1AB00-0AB0 S7-1500, TM Posinput 2
Input voltage	
• Type of input voltage	DC
• Rated value (DC)	24 V
• for signal "0"	-5 ... +5 V
• for signal "1"	+11 to +30V
• permissible voltage at input, min.	-30 V; -5 V continuous, -30 V brief reverse polarity protection
• permissible voltage at input, max.	30 V
Input current	
• for signal "1", typ.	2.5 mA
Input delay (for rated value of input voltage)	
for standard inputs	
- parameterizable	Yes; none / 0.05 / 0.1 / 0.4 / 0.8 / 1.6 / 3.2 / 12.8 / 20 ms
- at "0" to "1", min.	6 μ s; for parameterization "none"
- at "1" to "0", min.	6 μ s; for parameterization "none"
for technological functions	
- parameterizable	Yes
Cable length	
• shielded, max.	1 000 m
• unshielded, max.	600 m
Digital outputs	
Type of digital output	Transistor
Number of digital outputs	4; 2 per channel
Digital outputs, parameterizable	Yes
Short-circuit protection	Yes; electronic/thermal
Limitation of inductive shutdown voltage to	L+ (-33 V)
Controlling a digital input	Yes
Digital output functions, parameterizable	
• Switching tripped by comparison values	Yes
• Freely usable digital output	Yes
Switching capacity of the outputs	
• with resistive load, max.	0.5 A; Per digital output
• on lamp load, max.	5 W

Technical specifications (continued)

Article number	6ES7551-1AB00-0AB0 S7-1500, TM Posinput 2
Load resistance range	
• lower limit	48 Ω
• upper limit	12 kΩ
Output voltage	
• Type of output voltage	DC
• for signal "1", min.	23.2 V; L+ (-0.8 V)
Output current	
• for signal "1" rated value	0.5 A; Per digital output
• for signal "0" residual current, max.	0.5 mA
Output delay with resistive load	
• "0" to "1", max.	50 μs
• "1" to "0", max.	50 μs
Switching frequency	
• with resistive load, max.	10 kHz
• with inductive load, max.	0.5 Hz; Acc. to IEC 60947-5-1, DC-13; observe derating curve
• on lamp load, max.	10 Hz
Total current of the outputs	
• Current per module, max.	2 A
Cable length	
• shielded, max.	1 000 m
• unshielded, max.	600 m
Encoder signals, incremental encoder (symmetrical)	
• Input voltage	RS 422
• Input frequency, max.	1 MHz
• Counting frequency, max.	4 MHz; with quadruple evaluation
• Cable length, shielded, max.	32 m; at 1 MHz
• Signal filter, parameterizable	Yes
• Incremental encoder with A/B tracks, 90° phase offset	Yes
• Incremental encoder with A/B tracks, 90° phase offset and zero track	Yes
• Pulse encoder	Yes
• Pulse encoder with direction	Yes
• Pulse encoder with one impulse signal per count direction	Yes
Encoder signals, incremental encoder (asymmetrical)	
• Input voltage	5 V TTL (push-pull encoders only)
• Input frequency, max.	1 MHz
• Counting frequency, max.	4 MHz; with quadruple evaluation
• Signal filter, parameterizable	Yes
• Incremental encoder with A/B tracks, 90° phase offset	Yes
• Incremental encoder with A/B tracks, 90° phase offset and zero track	Yes
• Pulse encoder	Yes
• Pulse encoder with direction	Yes
• Pulse encoder with one impulse signal per count direction	Yes

Article number	6ES7551-1AB00-0AB0 S7-1500, TM Posinput 2
Encoder signals, absolute encoder (SSI)	
• Input signal	to RS-422
• Telegram length, parameterizable	10 ... 40 bit
• Clock frequency, max.	2 MHz; 125 kHz, 250 kHz, 500 kHz, 1 MHz, 1.5 MHz or 2 MHz
• Binary code	Yes
• Gray code	Yes
• Cable length, shielded, max.	320 m; Cable length, RS-422 SSI absolute encoders, Siemens type 6FX2001-5, 24 V supply: 125 kHz, 320 meters shielded, max.; 250 kHz, 160 meters shielded, max.; 500 kHz, 60 meters shielded, max.; 1 MHz, 20 meters shielded, max.; 1.5 MHz, 10 meters shielded, max.; 2 MHz, 8 meters shielded, max.
• Parity bit, parameterizable	Yes
• Monoflop time	16, 32, 48, 64 μs & automatic
• Multiturn	Yes
• Singleturn	Yes
Interface types	
• TTL 5 V	Yes; push-pull encoders only
• RS 422	Yes
Isochronous mode	
Isochronous operation (application synchronized up to terminal)	Yes
Filtering and processing time (TCI), min.	130 μs; only for pulse and incremental encoders
Bus cycle time (TDP), min.	250 μs
Interrupts/diagnostics/status information	
Alarms	
• Diagnostic alarm	Yes
• Hardware interrupt	Yes
Diagnostic messages	
• Monitoring the supply voltage	Yes
• Wire-break	Yes
• Short-circuit	Yes
• A/B transition error at incremental encoder	Yes
• Telegram error at SSI encoder	Yes
Diagnostics indication LED	
• RUN LED	Yes; Green LED
• ERROR LED	Yes; Red LED
• MAINT LED	Yes; yellow LED
• Monitoring of the supply voltage (PWR-LED)	Yes; Green LED
• Channel status display	Yes; Green LED
• for channel diagnostics	Yes; Red LED
Integrated Functions	
Number of counters	2
Counting frequency (counter) max.	4 MHz; with quadruple evaluation
Counting functions	
• Can be used with TO High_Speed_Counter	Yes; only for pulse and incremental encoders
• Continuous counting	Yes
• Counter response parameterizable	Yes
• Hardware gate via digital input	Yes
• Software gate	Yes
• Event-controlled stop	Yes
• Synchronization via digital input	Yes
• Counting range, parameterizable	Yes

SIMATIC S7-1500 Advanced Controllers

I/O modules

Technology modules

TM PosInput 2 counter and position detection module

Technical specifications (continued)

Article number	6ES7551-1AB00-0AB0 S7-1500, TM Posinput 2
Comparator	
- Number of comparators	2; Per channel
- Direction dependency	Yes
- Can be changed from user program	Yes
Position detection	
• Incremental acquisition	Yes
• Absolute acquisition	Yes
• Suitable for S7-1500 motion control	Yes
Measuring functions	
• Measuring time, parameterizable	Yes
• Dynamic measurement period adjustment	Yes
• Number of thresholds, parameterizable	2
Measuring range	
- Frequency measurement, min.	0.04 Hz
- Frequency measurement, max.	4 MHz
- Cycle duration measurement, min.	0.25 µs
- Cycle duration measurement, max.	25 s
Accuracy	
- Frequency measurement	100 ppm; depending on measuring interval and signal evaluation
- Cycle duration measurement	100 ppm; depending on measuring interval and signal evaluation
- Velocity measurement	100 ppm; depending on measuring interval and signal evaluation

Article number	6ES7551-1AB00-0AB0 S7-1500, TM Posinput 2
Potential separation	
Potential separation channels	
• between the channels and backplane bus	Yes
Ambient conditions	
Ambient temperature during operation	
• horizontal installation, min.	0 °C
• horizontal installation, max.	60 °C; Please note derating for inductive loads
• vertical installation, min.	0 °C
• vertical installation, max.	40 °C; Please note derating for inductive loads
Decentralized operation	
to SIMATIC S7-300	Yes
to SIMATIC S7-400	Yes
to SIMATIC S7-1200	Yes
to SIMATIC S7-1500	Yes
to standard PROFIBUS master	Yes; FW V1.1 and higher
to standard PROFINET controller	Yes
Dimensions	
Width	35 mm
Height	147 mm
Depth	129 mm
Weights	
Weight, approx.	325 g

Ordering data

Article No.	Article No.
TM PosInput 2 counting and position detecting module	6ES7551-1AB00-0AB0
With 2 channels, max. 1 MHz counting frequency; for SSI encoders and incremental encoders with RS 422 or 5V TTL interface	
Accessories	
Front connectors	
For 35 mm modules; including four potential bridges, cable ties and individual labeling strips, 40-pin	
• Screw terminals	6ES7592-1AM00-0XB0
• Push-in	6ES7592-1BM00-0XB0
DIN A4 labeling sheets	6ES7592-2AX00-0AA0
10 sheets with 10 labeling strips each for I/O modules; perforated, Al grey	
U connector	6ES7590-0AA00-0AA0
5 units; spare part	
Universal front door for I/O modules	6ES7528-0AA00-7AA0
5 front doors; with 5 labeling strips (front) and 5 cabling diagrams per front door; spare part	
Shielding set I/O	6ES7590-5CA00-0AA0
Infeed element, shield bracket, and shield terminal; 5 units, spare part	
Shield terminal element	6ES7590-5BA00-0AA0
10 units; spare part	
SIMATIC Manual Collection	6ES7998-8XC01-8YE0
Electronic manuals on DVD, multi-language: LOGO!, SIMADYN, SIMATIC bus components, SIMATIC C7, SIMATIC Distributed I/O, SIMATIC HMI, SIMATIC Sensors, SIMATIC NET, SIMATIC PC-based Automation, SIMATIC PCS 7, SIMATIC PG/PC, SIMATIC S7, SIMATIC Software, SIMATIC TDC	
SIMATIC Manual Collection update service for 1 year	6ES7998-8XC01-8YE2
Current "Manual Collection" DVD and the three subsequent updates	

Overview



- 8 digital inputs, 16 digital outputs, of which up to 16 can be used in different configurations as technological, time-controlled channels
- Inputs for detecting the input edges with μs accuracy
- Outputs for outputting switching signals with μs accuracy
- 32x oversampling
- PWM output
- Counter function
- Outputs can be switched between 0.5 A standard and especially fast 0.1 A high-speed operation

4

Technical specifications

Article number	6ES7552-1AA00-0AB0 S7-1500, TM Timer DIDQ 16x24V
General information	
Product type designation	TM Timer DIDQ 16x24V
Product function	
• I&M data	Yes; I&M 0
Engineering with	
• STEP 7 TIA Portal configurable/integrated as of version	V13 Update 3
Installation type/mounting	
Rail mounting	Yes; S7-1500 mounting rail
Load voltage 1L+	
• Rated value (DC)	24 V
• Reverse polarity protection	Yes; against destruction
Load voltage 2L+	
• Rated value (DC)	24 V
• Reverse polarity protection	Yes; against destruction
Encoder supply	
Number of outputs	8; max. depending on parameterization
24 V encoder supply	
• 24 V	Yes; L+ (-0.8 V)
• Short-circuit protection	Yes
• Output current, max.	1.2 A; Total current of all encoders / channels, max. 0.5 A per output
Digital inputs	
Number of digital inputs	8; max. depending on parameterization
• in groups of	8
Digital inputs, parameterizable	Yes
Input characteristic curve in accordance with IEC 61131, type 3	Yes
Digital input functions, parameterizable	
• Digital input with time stamp	Yes
- Number, max.	8
• Counter	Yes
- Number, max.	4
• Counter for incremental encoder	Yes
- Number, max.	4
• Digital input with oversampling	Yes
- Number, max.	8
• HW enable for digital input	Yes
- Number, max.	4
• HW enable for digital output	Yes
- Number, max.	4

Article number	6ES7552-1AA00-0AB0 S7-1500, TM Timer DIDQ 16x24V
Input voltage	
• Type of input voltage	DC
• Rated value (DC)	24 V
• for signal "0"	-5 ... +5 V
• for signal "1"	+11 to +30V
• permissible voltage at input, min.	-30 V; -5 V continuous, -30 V brief reverse polarity protection
• permissible voltage at input, max.	30 V
Input current	
• for signal "1", typ.	2.5 mA
Input delay (for rated value of input voltage)	
• Minimum pulse width for program reactions	3 μs for parameterization "none"
for standard inputs	
- parameterizable	Yes; none / 0.05 / 0.1 / 0.4 / 0.8 ms
- at "0" to "1", min.	4 μs ; for parameterization "none"
- at "1" to "0", min.	4 μs ; for parameterization "none"
Cable length	
• shielded, max.	1 000 m; Depending on sensor, cable quality and rate of change
• unshielded, max.	600 m; Depending on sensor, cable quality and rate of change
Digital outputs	
Type of digital output	Transistor
Number of digital outputs	16; max. depending on parameterization
• in groups of	8
Digital outputs, parameterizable	Yes
Short-circuit protection	Yes; electronic/thermal
Limitation of inductive shutdown voltage to	-0.8 V
Controlling a digital input	Yes
Digital output functions, parameterizable	
• Digital output with time stamp	Yes
- Number, max.	16
• PWM output	Yes
- Number, max.	16
• Digital output with oversampling	Yes
- Number, max.	16

SIMATIC S7-1500 Advanced Controllers

I/O modules

Technology modules

Time-based IO module TM Timer DIDQ 16x24V

Technical specifications (continued)

Article number	6ES7552-1AA00-0AB0 S7-1500, TM Timer DIDQ 16x24V
Switching capacity of the outputs	
• with resistive load, max.	0.5 A; 0.1 A with High Speed output
• on lamp load, max.	5 W; 1 W with High Speed output
Load resistance range	
• lower limit	48 Ω; 240 ohm with High Speed output
• upper limit	12 kΩ
Output voltage	
• Type of output voltage	DC
• for signal "0", max.	1 V; With High Speed output
• for signal "1", min.	23.2 V; L+ (-0.8 V)
Output current	
• for signal "1" rated value	0.5 A; 0.1 A with High Speed output, observe derating
• for signal "0" residual current, max.	0.5 mA
Output delay with resistive load	
• "0" to "1", max.	1 μs; With High Speed output, 5 μs with Standard output
• "1" to "0", max.	1 μs; With High Speed output, 6 μs with Standard output
Switching frequency	
• with resistive load, max.	10 kHz
• on lamp load, max.	10 Hz
Total current of the outputs	
• Current per group, max.	4 A
• Current per module, max.	8 A; Observe derating
Cable length	
• shielded, max.	1 000 m; Depending on load and cable quality
• unshielded, max.	600 m; Depending on load and cable quality
Encoder	
Connectable encoders	
• Incremental encoder (asymmetrical)	Yes
• 24 V initiator	Yes
• 2-wire sensor	Yes
- permissible quiescent current (2-wire sensor), max.	1.5 mA
Encoder signals, incremental encoder (asymmetrical)	
• Input voltage	24 V
• Input frequency, max.	50 kHz
• Counting frequency, max.	200 kHz; with quadruple evaluation
• Cable length, shielded, max.	600 m; Depending on input frequency, encoder and cable quality; max. 200 m at 50 kHz
• Incremental encoder with A/B tracks, 90° phase offset	Yes
• Pulse encoder	Yes
Encoder signal 24 V	
- permissible voltage at input, min.	-30 V
- permissible voltage at input, max.	30 V

Article number	6ES7552-1AA00-0AB0 S7-1500, TM Timer DIDQ 16x24V
Interface types	
• Input characteristic curve in accordance with IEC 61131, type 3	Yes
Isochronous mode	
• Isochronous operation (application synchronized up to terminal)	Yes
• Bus cycle time (TDP), min.	250 μs
Interrupts/diagnostics/status information	
• Diagnostics function	Yes
• Substitute values connectable	Yes
Alarms	
• Diagnostic alarm	Yes
Diagnostic messages	
• Monitoring the supply voltage	Yes
• Short-circuit	Yes
Diagnostics indication LED	
• RUN LED	Yes; Green LED
• ERROR LED	Yes; Red LED
• MAINT LED	Yes; yellow LED
• Monitoring of the supply voltage (PWR-LED)	Yes; Green LED
• Channel status display	Yes; Green LED
• for channel diagnostics	Yes; Red LED
Integrated Functions	
• Number of counters	4
• Counting frequency (counter) max.	200 kHz; with quadruple evaluation
Counting functions	
• Continuous counting	Yes
Potential separation	
Potential separation channels	
• between the channels and backplane bus	Yes
Ambient conditions	
Ambient temperature during operation	
• horizontal installation, min.	0 °C
• horizontal installation, max.	60 °C
• vertical installation, min.	0 °C
• vertical installation, max.	40 °C; Observe derating
Decentralized operation	
to SIMATIC S7-1500	Yes
Dimensions	
• Width	35 mm
• Height	147 mm
• Depth	129 mm
Weights	
• Weight, approx.	320 g

Ordering data	Article No.		Article No.
Time-based IO module TM Timer DIDQ 16x24V Max. 16 time-controlled inputs or outputs	6ES7552-1AA00-0AB0	Shielding set I/O Infeed element, shield bracket, and shield terminal; 5 units, spare part: Note: Only shield bracket and shield terminal are required for the TM Timer DIDQ 16x24V	6ES7590-5CA00-0AA0
Accessories Front connector For 35 mm modules; including four potential bridges, cable ties and individual labeling strips, 40-pin <ul style="list-style-type: none"> • Screw terminals • Push-in 	6ES7592-1AM00-0XB0 6ES7592-1BM00-0XB0	Shield terminal element 10 units; spare part	6ES7590-5BA00-0AA0
DIN A4 labeling sheets 10 sheets with 10 labeling strips each for I/O modules; perforated, Al grey	6ES7592-2AX00-0AA0	SIMATIC Manual Collection Electronic manuals on DVD, multi-language: LOGO!, SIMADYN, SIMATIC bus components, SIMATIC C7, SIMATIC Distributed I/O, SIMATIC HMI, SIMATIC Sensors, SIMATIC NET, SIMATIC PC-based Automation, SIMATIC PCS 7, SIMATIC PG/PC, SIMATIC S7, SIMATIC Software, SIMATIC TDC	6ES7998-8XC01-8YE0
U connector 5 units; spare part	6ES7590-0AA00-0AA0	SIMATIC Manual Collection update service for 1 year Current "Manual Collection" DVD and the three subsequent updates	6ES7998-8XC01-8YE2
Universal front door for I/O modules 5 front doors; with 5 labeling strips (front) and 5 cabling diagrams per front door; spare part	6ES7528-0AA00-7AA0		

SIMATIC S7-1500 Advanced Controllers

I/O modules

Technology modules

Interface module for PTO (Pulse Train Output) TM PTO 4

Overview

- 4-channel interface module for PTO (Pulse Train Output)
- 3 signal interfaces can be configured for speed and direction:
 - 24 V asymmetrical up to 200 kHz
 - RS 422, 5 V symmetrical up to 1 MHz
 - TTL 5 V asymmetrical up to 200 kHz
- 3 signal types can be configured:
 - Pulse and direction
 - Pulses for forward movement and pulses for backwards movement
 - 2 phase-shifted signals, with simple or quadruple evaluation
- Supported technology objects:
 - Speed controlled axis (S7-1500, S7-1500T)
 - Positioning axis (S7-1200, S7-1500, S7-1500T)
 - Synchronous axis (S7-1500, S7-1500T)
 - Probe (S7-1500, S7-1500T)

Technical specifications

Article number	6ES7553-1AA00-0AB0 S7-1500, TM PT O4
General information	
Product type designation	TM PTO 4
Number of channels	4; Axes
Product function	
• I&M data	Yes; I&M0 to I&M3
• Isochronous mode	Yes
Engineering with	
• STEP 7 TIA Portal configurable/integrated as of version	STEP 7 V14 or higher
• STEP 7 configurable/integrated as of version	V5.5 SP3 with GSD file / -
• PROFINET as of GSD version/GSD revision	GSDML V2.32
Installation type/mounting	
Rail mounting	Yes; S7-1500 mounting rail
Supply voltage	
Load voltage L+	
• Rated value (DC)	24 V
• Reverse polarity protection	Yes
Digital inputs	
Number of digital inputs	12; 3 per channel, of which 1 DIQ
Digital inputs, parameterizable	Yes
Input characteristic curve in accordance with IEC 61131, type 3	Yes
Digital input functions, parameterizable	
• Synchronization	Yes
Input voltage	
• Type of input voltage	DC
• Rated value (DC)	24 V
• for signal "0"	-5 ... +5 V
• for signal "1"	+11 to +30V
• permissible voltage at input, min.	-5 V
• permissible voltage at input, max.	30 V
Input current	
• for signal "1", typ.	2.5 mA

Article number	6ES7553-1AA00-0AB0 S7-1500, TM PT O4
Input delay (for rated value of input voltage) for standard inputs	
- parameterizable	Yes; none / 0.05 / 0.1 / 0.4 / 0.8 / 1.6 / 3.2 / 12.8 / 20 ms
- at "0" to "1", min.	4 µs; for parameterization "none"
- at "1" to "0", min.	4 µs; for parameterization "none"
for technological functions	
- parameterizable	Yes
Cable length	
• shielded, max.	1 000 m
• unshielded, max.	600 m
Digital outputs	
Number of digital outputs	12; 3 per channel, of which 1 DIQ
Digital outputs, parameterizable	Yes
Short-circuit protection	Yes; electronic/thermal
Controlling a digital input	Yes
Digital output functions, parameterizable	
• PTO (pulse train output) signal interface	
- 24 V asymmetrical	Yes
- RS 422 symmetrical	Yes
- TTL (5 V) asymmetrical	Yes
• PTO (pulse train output) signal type	
- Pulse and direction	Yes
- Count up, count down	Yes
- Incremental encoder (A, B phase shift)	Yes
- Incremental encoder (A, B phase shift, quadruple)	Yes
Switching capacity of the outputs	
• with resistive load, max.	0.1 A; 0.5 A for DIQn.2
• on lamp load, max.	1 W; 5 W for DIQn.2
Load resistance range	
• lower limit	240 Ω; 48 ohms for DIQn.2
• upper limit	12 kΩ

Technical specifications (continued)

Article number	6ES7553-1AA00-0AB0 S7-1500, TM PT O4
Output voltage	
• Type of output voltage	DC
• for signal "1", min.	23.2 V; L+ (-0.8 V), L+ (-1.3 V) for DIQn.2
Output current	
• for signal "1" rated value	0.1 A; 0.5 A for DIQn.2
• for signal "0" residual current, max.	0.5 mA
Output delay with resistive load	
• "0" to "1", typ.	1 µs; 28 µs for DIQn.2
• "1" to "0", typ.	1 µs; 25 µs for DIQn.2
Switching frequency	
• with resistive load, max.	1 kHz; For DIQn.2
• with inductive load, max.	0.5 Hz; According to IEC 60947-5-1, DC-13, for DIQn.2
• on lamp load, max.	10 Hz; For DIQn.2
• For signal interface 24 V asymmetrical	200 kHz; With DQn.0 and DQn.1
• For signal interface RS 422 symmetrical	1 MHz
• For signal interface TTL (5 V) asymmetrical	200 kHz
Cable length	
• shielded, max.	600 m; Cable length, RS 422 / TTL Siemens Type 6FX2001-5: 125 kHz, 320 meters shielded, max.; 250 kHz, 160 meters shielded, max.; 500 kHz, 60 meters shielded, max.; 1 MHz, 32 meters shielded, max. 24 V (DQn.x / DIQn.2): 10 kHz, 600 meters, shielded, max. 200 kHz, 50 meters shielded, max.
Isochronous mode	
Isochronous operation (application synchronized up to terminal)	Yes
Bus cycle time (TDP), min.	250 µs; 375 µs if all 4 channels are used
Interrupts/diagnostics/ status information	
Diagnostics function	Yes
Alarms	
• Diagnostic alarm	Yes
Diagnostic messages	
• Monitoring the supply voltage	Yes
• Short-circuit	Yes; Thermal overload protection
• Group error	Yes

Article number	6ES7553-1AA00-0AB0 S7-1500, TM PT O4
Diagnostics indication LED	
• RUN LED	Yes; Green LED
• ERROR LED	Yes; Red LED
• MAINT LED	Yes; yellow LED
• Monitoring of the supply voltage (PWR-LED)	Yes; Green LED
• Channel status display	Yes; Green LED
• for channel diagnostics	Yes; Red LED
Potential separation	
Potential separation channels	
• between the channels and backplane bus	Yes
Ambient conditions	
Ambient temperature during operation	
• horizontal installation, min.	0 °C
• horizontal installation, max.	60 °C; Observe derating
• vertical installation, min.	0 °C
• vertical installation, max.	40 °C; Observe derating
Decentralized operation	
to SIMATIC S7-300	Yes; Via control and feedback interface
to SIMATIC S7-400	Yes; Via control and feedback interface
to SIMATIC S7-1200	Yes
to SIMATIC S7-1500	Yes
to standard PROFINET controller	Yes; Via control and feedback interface
Dimensions	
Width	35 mm
Height	147 mm
Depth	129 mm
Weights	
Weight, approx.	300 g

SIMATIC S7-1500 Advanced Controllers

I/O modules

Technology modules

Interface module for PTO (Pulse Train Output) TM PTO 4**Ordering data****Article No.****Interface module for
TM PTO 4 stepper drives**

4 Pulse Train Output PTO channels;
PTO: 24 V or RS 422; 2 DQ PTO,
2 DI 24 V, 1 DIQ 24 V per channel

6ES7553-1AA00-0AB0**Accessories****Front connectors**

For 35 mm modules;
including four potential bridges,
cable ties and individual labeling
strips, 40-pin

- Screw terminals
- Push-in

6ES7592-1AM00-0XB0
6ES7592-1BM00-0XB0

DIN A4 labeling sheets

10 sheets with 10 labeling strips
each for I/O modules; perforated,
Al grey

6ES7592-2AX00-0AA0**U connector**

5 units; spare part

6ES7590-0AA00-0AA0**Universal front door
for I/O modules**

5 front doors; with 5 labeling strips
(front) and 5 cabling diagrams per
front door; spare part

6ES7528-0AA00-7AA0**Article No.****Shielding set I/O**

Infeed element, shield clamp,
and shield terminal;
5 units, spare part

6ES7590-5CA00-0AA0**Shield terminal element**

10 units; spare part

6ES7590-5BA00-0AA0**SIMATIC Manual Collection**

SIMATIC Manual Collection on DVD
in 5 languages, all manuals for
S7-1200/1500/200/300/400,
LOGO!, SIMATIC DP, PC, PG,
STEP 7, Engineering SW,
Runtime SW, PCS7, SIMATIC HMI,
SIMATIC NET, SIMATIC IDENT

6ES7998-8XC01-8YE0**SIMATIC Manual Collection
update service for 1 year**

Current "Manual Collection" DVD
and the three subsequent updates

6ES7998-8XC01-8YE2

Overview



SIWAREX WP521 ST



SIWAREX WP522 ST

SIWAREX WP521 ST / WP522 ST (ST = Standard) are versatile weighing modules for the SIMATIC S7-1500 Advanced Controller family. With these electronic weighing systems, simple weighing applications, such as platform or hopper scales, can be seamlessly integrated into the S7-1500 automation environment.

Technical specifications

SIWAREX WP521 ST, WP522 ST		SIWAREX WP521 ST, WP522 ST	
Weighing modes	<ul style="list-style-type: none"> Non-automatic scales, e.g. platform and hopper scales 	Measuring accuracy	
Ports	<ul style="list-style-type: none"> 1 x SIMATIC S7-1500 system bus 1 x Ethernet (SIWATOOL, Modbus TCP/IP) 1 x RS 485 (Modbus RTU or remote display) per channel 3 x digital outputs (24 V DC) per channel 4 x digital outputs (24 V DC short-circuit proof) per channel 	Error limit according to DIN 1319-1 of full-scale value at 20 °C ± 10 K (68 °F ± 10 K)	0.05%
Functions	<ul style="list-style-type: none"> 3 limits Zeroing Tare Tare specification Zero adjustment Trace function for signal analysis Internal restore point SIMATIC S7-1500 integrated and/or stand-alone operation 	Internal resolution	Up to ± 4 million parts
Parameter assignment	<ul style="list-style-type: none"> By means of function block in SIMATIC S7-1500 and HMI Using SIWATOOL V7 Using Modbus TCP/IP Using Modbus RTU 	Number of measurements/second	100 or 120 (selectable)
Remote display (see accessories)		Filter	<ul style="list-style-type: none"> Low-pass filter 0.05 ... 50 Hz Average value filter
Connection	via RS 485	Weighing functions	
Display	Additional display for weight value	Weight values	<ul style="list-style-type: none"> Gross Net Tare
		Limit values	<ul style="list-style-type: none"> 2 x min/max 1 x empty
		Zeroing	Per command
		Tare	Per command
		Tare specification	Per command
		Compatible sensors	Analog load cells / full-bridge strain gauges (1-4 mV/V) in 4-wire or 6-wire system

SIMATIC S7-1500 Advanced Controllers

I/O modules

Technology modules

SIWAREX WP521 / WP522 ST weighing modules

Technical specifications (continued)

SIWAREX WP521 ST, WP522 ST	
Load cell powering	
Supply voltage (regulated via feedback)	4.85 V DC
Permissible load resistance	
• R_{Lmin}	> 40 Ω
• R_{Lmax}	< 4 100 Ω
With SIWAREX IS Ex interface	
• R_{Lmin}	> 50 Ω
• R_{Lmax}	< 4 100 Ω
Load cell characteristic	1 ... 4 mV/V
Permissible range of the measurement signal (with 4 mV/V sensors)	-21.3 ... +21.3 mV
Max. distance of load cells	800 m (2 624 ft)
Connection to load cells in Ex zone 1	Optionally via SIWAREX IS Ex interface
Certificates	<ul style="list-style-type: none"> • ATEX Zone 2 • UL • KCC • EAC • RCM • FM • IECEX

SIWAREX WP521 ST, WP522 ST	
Auxiliary power supply	
Rated voltage	24 V DC
Max. power consumption WP521 ST / WP522 ST	120 mA / 200 mA
Max. power consumption SIMATIC Bus	35 mA @ 15 V
IP degree of protection to EN 60529; IEC 60529	IP20
Climatic requirements	
$T_{min(IND)}$... $T_{max(IND)}$ (operating temperature)	
• Horizontal installation	-10 ... +60 °C (14 ... 140 °F)
• Vertical installation	-10 ... +40 °C (14 ... 104 °F)
EMC requirements	according to IEC 61000-6-2:2004; IEC 61000-6-4:2007+A1:2011
Dimensions (W x H x D)	35 x 147 x 129 mm (1.38 x 5.79 x 5.08 in)

Ordering data

Article No.

Weighing module TM SIWAREX WP521 ST Single-channel, for platform or hopper scale with analog load cells (1–4 mV/V), 1 x LC, 4 x DQ, 3 x DI, 1 x RS 485, Ethernet port, including shielding set.	7MH4980-1AA01
Weighing module TM SIWAREX WP522 ST Two-channel, for two separate platform or hopper scales with analog load cells (1–4 mV/V), per channel 1 x LC, 4 x DQ, 3 x DI, 1 x RS 485, Ethernet port, including shielding set.	7MH4980-2AA01
SIMATIC S7-1500, front connector with screw-type terminals 40-pin, for 35 mm wide modules, including 4 jumper links and cable ties	6ES7592-1AM00-0XB0
SIMATIC S7-1500, front connector with push-in technology 40-pin, for 35 mm wide modules, including 4 jumper links and cable ties	6ES7592-1BM00-0XB0
SIWATOOL V4 & V7 Service and commissioning software for SIWAREX weighing modules	7MH4900-1AK01
Ethernet cable patch cord 2 m (7 ft) For connecting SIWAREX WP52x ST to a PC (SIWATOOL V7 or Modbus TCP/IP)	6XV1850-2GH20

Article No.

Remote display (optional) The digital remote displays can be connected directly to the SIWAREX WP231 via the RS 485 interface. Suitable remote display: S102 Siebert Industrieelektronik GmbH Postfach 1180 D-66565 Eppelborn, Germany Tel.: +49 6806/980-0 Fax: +49 6806/980-999 Internet: http://www.siebert.de Detailed information is available from the manufacturer.	
Accessories	
SIWAREX JB junction box, aluminum housing For connecting up to 4 load cells in parallel, and for connecting multiple junction boxes.	7MH5001-0AA20
SIWAREX JB junction box, stainless steel housing For connecting up to 4 load cells in parallel.	7MH5001-0AA00
SIWAREX JB junction box, stainless steel housing (ATEX) For parallel connection of up to 4 load cells (for zone allocation, see manual or type-examination certificate).	7MH4710-1EA01

Ordering data	Article No.	Commissioning	Article No.
<p>Ex interface SIWAREX IS</p> <p>For intrinsically-safe connection of load cells. With ATEX approval (not UL/FM). Suitable for SIWAREX electronic weighing system. Compatibility of load cells must be checked separately.</p> <ul style="list-style-type: none"> • Short-circuit current < 199 mA DC • Short-circuit current < 137 mA DC 	<p>7MH4710-5BA 7MH4710-5CA</p>	<p>Commissioning charge for one static scale with SIWAREX module</p> <p>(Travel and setup charge must be ordered separately)</p> <p>Scope:</p> <ul style="list-style-type: none"> • Recording of data • Checking of mechanical installation of the scale • Checking of electrical wiring and function • Static adjustment of the scale <p>Requirements:</p> <ul style="list-style-type: none"> • Mechanical design functional • Modules electrically wired and tested • Calibration weights available • Free access to scale 	<p>9LA1110-8SN50-0AA0</p>
<p>Load cell cable (optional)</p> <p>Cable Li2Y 1 x 2 x 0.75 ST + 2 x (2 x 0.34 ST) – CY</p> <p>For connecting SIWAREX electronic weighing systems to junction box (JB), extension box (EB) and Ex interface or between two EBs. For permanent installation. Occasional bending is possible.</p> <p>External diameter: approx. 10.8 mm (0.43 in)</p> <p>Permissible ambient temperature -40 ... +80 °C (-40 ... +176 °F).</p> <p>Sold by the meter.</p> <ul style="list-style-type: none"> • Sheath color: orange • For hazardous atmospheres. Sheath color: blue. 	<p>7MH4702-8AG 7MH4702-8AF</p>	<p>Flat charge for travel and setup in Germany</p>	<p>9LA1110-8RA10-0AA0</p>

SIMATIC S7-1500 Advanced Controllers

I/O modules

SIPLUS technology modules

SIPLUS TM Count 2x24V counter module

Overview



- 2-channel high-speed counter module
- With comprehensive parameterization options for an optimum adaptation to the task and reduction of control load
- Speed and time period measuring
- Storage and comparison functions
- Connection of 24 V encoders

Note:

SIPLUS extreme products are based on SIMATIC standard products. The contents listed here were taken from the respective standard products. SIPLUS extreme specific information was added.

Technical specifications

Article number	6AG1550-1AA00-7AB0
Based on	6ES7550-1AA00-0AB0 SIPLUS S7-1500 TM COUNT 2X24V
Ambient conditions	
Ambient temperature during operation	
• horizontal installation, min.	-40 °C; = Tmin (incl. condensation/frost); start-up @ -25 °C
• horizontal installation, max.	70 °C; = Tmax; note derating for inductive loads; > +60 °C total current of the encoder supply max. 0.5 A, total current of the outputs max. 1 A
• vertical installation, min.	-40 °C; = Tmin; Startup @ -25 °C
• vertical installation, max.	40 °C; Please note derating for inductive loads
Altitude during operation relating to sea level	
• Installation altitude above sea level, max.	5 000 m
• Ambient air temperature-barometric pressure-altitude	Tmin ... Tmax at 1 140 hPa ... 795 hPa (-1 000 m ... +2 000 m) // Tmin ... (Tmax - 10 K) at 795 hPa ... 658 hPa (+2 000 m ... +3 500 m) // Tmin ... (Tmax -20 K) at 658 hPa ... 540 hPa (+3 500 m ... +5 000 m)

Article number	6AG1550-1AA00-7AB0
Based on	6ES7550-1AA00-0AB0 SIPLUS S7-1500 TM COUNT 2X24V
Relative humidity	
• With condensation, tested in accordance with IEC 60068-2-38, max.	100 %; RH incl. condensation/frost (no commissioning under condensation conditions)
Resistance	
Coolants and lubricants	
- Resistant to commercially available coolants and lubricants	Yes; Incl. diesel and oil droplets in the air
Use in stationary industrial systems	
- to biologically active substances according to EN 60721-3-3	Yes; Class 3B2 mold, fungus and dry rot spores (with the exception of fauna); Class 3B3 on request
- to chemically active substances according to EN 60721-3-3	Yes; Class 3C4 (RH < 75 %) incl. salt spray acc. to EN 60068-2-52 (severity degree 3); *
- to mechanically active substances according to EN 60721-3-3	Yes; Class 3S4 incl. sand, dust, *
Use on ships/at sea	
- to biologically active substances according to EN 60721-3-6	Yes; Class 6B2 mold and fungal spores (excluding fauna); Class 6B3 on request
- to chemically active substances according to EN 60721-3-6	Yes; Class 6C3 (RH < 75 %) incl. salt spray acc. to EN 60068-2-52 (severity degree 3); *
- to mechanically active substances according to EN 60721-3-6	Yes; Class 6S3 incl. sand, dust; *
Remark	
- Note regarding classification of environmental conditions acc. to EN 60721	* The supplied plug covers must remain in place over the unused interfaces during operation!
Conformal coating	
• Coatings for printed circuit board assemblies acc. to EN 61086	Yes; Class 2 for high availability
• Protection against fouling acc. to EN 60664-3	Yes; Type 1 protection
• Military testing according to MIL-I-46058C, Amendment 7	Yes; Discoloration of coating possible during service life
• Qualification and Performance of Electrical Insulating Compound for Printed Board Assemblies according to IPC-CC-830A	Yes; Conformal coating, Class A

Ordering data

Article No.

SIPLUS TM Count 2x24V counter module

6AG1550-1AA00-7AB0

(Extended temperature range and exposure to media)

With 2 channels, max. 200 kHz; for 24 V encoder

Accessories

See SIMATIC S7-1500, TM Count 2x24V counter module, page 4/127

SIMATIC S7-1500 Advanced Controllers

I/O modules

SIPLUS technology modules

SIPLUS TM PosInput 2 position detection module

Overview



- 2-channel counter and position detection module with RS 422 interface
- Comprehensive parameterization options for optimum adaptation to the task
- Offloading of controller through preprocessing on the module
- Position detection with incremental and SSI absolute-value encoders
- Speed and time period measuring
- Storage and comparison functions
- Connection of encoders with RS 422 signals or 5 V TTL signals

Note:

SIPLUS extreme products are based on SIMATIC standard products. The contents listed here were taken from the respective standard products. SIPLUS extreme specific information was added.

Technical specifications

Article number	6AG1551-1AB00-7AB0
Based on	6ES7551-1AB00-0AB0 SIPLUS S7-1500 TM POSINPUT 2
Ambient conditions	
Ambient temperature during operation	
• horizontal installation, min.	-40 °C; = Tmin (incl. condensation/frost); start-up @ -25 °C
• horizontal installation, max.	70 °C; Please note derating for inductive loads
• vertical installation, min.	0 °C
• vertical installation, max.	40 °C; Please note derating for inductive loads
Altitude during operation relating to sea level	
• Installation altitude above sea level, max.	5 000 m
• Ambient air temperature-barometric pressure-altitude	Tmin ... Tmax at 1 140 hPa ... 795 hPa (-1 000 m ... +2 000 m) // Tmin ... (Tmax - 10 K) at 795 hPa ... 658 hPa (+2 000 m ... +3 500 m) // Tmin ... (Tmax -20 K) at 658 hPa ... 540 hPa (+3 500 m ... +5 000 m)

Article number	6AG1551-1AB00-7AB0
Based on	6ES7551-1AB00-0AB0 SIPLUS S7-1500 TM POSINPUT 2
Relative humidity	
• With condensation, tested in accordance with IEC 60068-2-38, max.	100 %; RH incl. condensation / frost (no commissioning in bedewed state), horizontal installation
Resistance	
Coolants and lubricants	
- Resistant to commercially available coolants and lubricants	Yes; Incl. diesel and oil droplets in the air
Use in stationary industrial systems	
- to biologically active substances according to EN 60721-3-3	Yes; Class 3B2 mold, fungus and dry rot spores (with the exception of fauna); Class 3B3 on request
- to chemically active substances according to EN 60721-3-3	Yes; Class 3C4 (RH < 75 %) incl. salt spray acc. to EN 60068-2-52 (severity degree 3); *
- to mechanically active substances according to EN 60721-3-3	Yes; Class 3S4 incl. sand, dust, *
Use on ships/at sea	
- to biologically active substances according to EN 60721-3-6	Yes; Class 6B2 mold and fungal spores (excluding fauna); Class 6B3 on request
- to chemically active substances according to EN 60721-3-6	Yes; Class 6C3 (RH < 75 %) incl. salt spray acc. to EN 60068-2-52 (severity degree 3); *
- to mechanically active substances according to EN 60721-3-6	Yes; Class 6S3 incl. sand, dust; *
Remark	
- Note regarding classification of environmental conditions acc. to EN 60721	* The supplied plug covers must remain in place over the unused interfaces during operation!
Conformal coating	
• Coatings for printed circuit board assemblies acc. to EN 61086	Yes; Class 2 for high availability
• Protection against fouling acc. to EN 60664-3	Yes; Type 1 protection
• Military testing according to MIL-I-46058C, Amendment 7	Yes; Discoloration of coating possible during service life
• Qualification and Performance of Electrical Insulating Compound for Printed Board Assemblies according to IPC-CC-830A	Yes; Conformal coating, Class A

Ordering data

SIPLUS TM PosInput 2 counter and positioning module
(Extended temperature range and medial exposure)
With 2 channels, max. 1 MHz counter frequency; for SSI and incremental encoders with RS 422 or 5 V TTL interface

Accessories

Article No.

6AG1551-1AB00-7AB0

See SIMATIC S7-1500, TM PosInput 2 counter and positioning module, page 4/130

SIMATIC S7-1500 Advanced Controllers

I/O modules

Communication

CM PtP

Overview



- Modules for serial communication connections, scaled according to interface types, protocols, and performance
- 4 versions with different physical transmission characteristics:
 - RS 232C, max. 19.2 Kbit/s
 - RS 232C, max. 115.2 Kbit/s
 - RS 422/RS 485, max. 19.2 Kbit/s
 - RS 422/RS 485, max. 115.2 Kbit/s
- Protocols supported
 - Freeport: User-parameterizable telegram format for universal communication
 - 3964(R) for improved transmission reliability
 - Modbus RTU Master
 - Modbus RTU Slave
 - USS, implemented through instructions

4

Technical specifications

Article number	6ES7540-1AD00-0AA0	6ES7541-1AD00-0AB0	6ES7540-1AB00-0AA0	6ES7541-1AB00-0AB0
	S7-1500, CM PtP RS232 BA	S7-1500, CM PtP RS232 HF	S7-1500, CM PtP RS 422/485 BA	S7-1500, CM PtP RS 422/485 HF
General information				
Product type designation	CM PtP RS 232 BA	CM PtP RS 232 HF	CM PtP RS 422 / 485 BA	CM PtP RS 422 / 485 HF
Product function				
• I&M data	Yes; I&M 0	Yes; I&M 0	Yes; I&M 0	Yes; I&M 0
Engineering with				
• STEP 7 TIA Portal configurable/ integrated as of version	V12 / V12	V12 / V12	V12 / V12	V12 / V12
• STEP 7 configurable/integrated as of version	V5.5 SP2 with GSD file	V5.5 SP2 with GSD file	V5.5 SP2 with GSD file	V5.5 SP2 with GSD file
• PROFIBUS as of GSD version/ GSD revision	- / -	- / -	- / -	- / -
• PROFINET as of GSD version/ GSD revision	V2.3	V2.3 / -	V2.3	V2.3 / -
Installation type/mounting				
Rail mounting	Yes; S7-1500 mounting rail	Yes; S7-1500 mounting rail	Yes; S7-1500 mounting rail	Yes; S7-1500 mounting rail
Interface types				
RS 232				
• Transmission rate, max.	19.2 kbit/s	115.2 kbit/s		
• Cable length, max.	15 m	15 m		
• RS 232 auxiliary signals	RTS, CTS, DTR, DSR, RI, DCD	RTS, CTS, DTR, DSR, RI, DCD		
RS 485				
• Transmission rate, max.			19.2 kbit/s	115.2 kbit/s
• Cable length, max.			1 200 m	1 200 m
RS 422				
• Transmission rate, max.			19.2 kbit/s	115.2 kbit/s
• Cable length, max.			1 200 m	1 200 m
• 4-wire full duplex connection			Yes	Yes
• 4-wire multipoint connection			No	No
Protocols				
Integrated protocols				
Freeport				
- Telegram length, max.	1 kbyte	4 kbyte	1 kbyte	4 kbyte
- Bits per character	7 or 8	7 or 8	7 or 8	7 or 8
- Number of stop bits	1 or 2 bit	1 or 2 bit	1 or 2 bit	1 or 2 bit
- Parity	None, even, odd, always 1, always 0, any	None, even, odd, always 1, always 0, any	None, even, odd, always 1, always 0, any	None, even, odd, always 1, always 0, any

Technical specifications (continued)

Article number	6ES7540-1AD00-0AA0 S7-1500, CM PtP RS232 BA	6ES7541-1AD00-0AB0 S7-1500, CM PtP RS232 HF	6ES7540-1AB00-0AA0 S7-1500, CM PtP RS 422/485 BA	6ES7541-1AB00-0AB0 S7-1500, CM PtP RS 422/485 HF
3964 (R)				
- Telegram length, max.	1 kbyte	4 kbyte	1 kbyte	4 kbyte
- Bits per character	7 or 8	7 or 8	7 or 8	7 or 8
- Number of stop bits	1 or 2 bit	1 or 2 bit	1 or 2 bit	1 or 2 bit
- Parity	None, even, odd, always 1, always 0, any	None, even, odd, always 1, always 0, any	None, even, odd, always 1, always 0, any	None, even, odd, always 1, always 0, any
Modbus RTU master				
- Address area		1 to 247, extended 1 to 65535		1 to 247, extended 1 to 65535
- Number of slaves, max.		1		32
MODBUS RTU slave				
- Address area		1 to 247, extended 1 to 65535		1 to 247, extended 1 to 65535
Telegram buffer				
• Buffer memory for telegrams	2 kbyte	8 kbyte	2 kbyte	8 kbyte
• Number of telegrams which can be buffered	255	255	255	255
Interrupts/diagnostics/status information				
Diagnostics function	Yes	Yes	Yes	Yes
Alarms				
• Diagnostic alarm	Yes	Yes	Yes	Yes
• Hardware interrupt	No	No	No	No
Diagnostic messages				
• Wire-break	Yes	Yes	Yes	Yes
Diagnostics indication LED				
• RUN LED	Yes; Green LED	Yes; Green LED	Yes; Green LED	Yes; Green LED
• ERROR LED	Yes; Red LED	Yes; Red LED	Yes; Red LED	Yes; Red LED
• Receive RxD	Yes; yellow LED	Yes; yellow LED	Yes; yellow LED	Yes; yellow LED
• Transmit TxD	Yes; yellow LED	Yes; yellow LED	Yes; yellow LED	Yes; yellow LED
Potential separation				
between backplane bus and interface	Yes	Yes	Yes	Yes
Ambient conditions				
Ambient temperature during operation				
• horizontal installation, min.	0 °C	0 °C	0 °C	0 °C
• horizontal installation, max.	60 °C	60 °C	60 °C	60 °C
• vertical installation, min.	0 °C	0 °C	0 °C	0 °C
• vertical installation, max.	40 °C	40 °C	40 °C	40 °C
Decentralized operation				
to SIMATIC S7-300	Yes	Yes	Yes	Yes
to SIMATIC S7-400	Yes	Yes	Yes	Yes
to SIMATIC S7-1500	Yes	Yes	Yes	Yes
to standard PROFINET controller	Yes	Yes	Yes	Yes
Fast Startup supported	Yes	Yes	Yes	Yes
Dimensions				
Width	35 mm	35 mm	35 mm	35 mm
Height	147 mm	147 mm	147 mm	147 mm
Depth	127 mm	127 mm	127 mm	127 mm
Weights				
Weight, approx.	0.22 kg	0.22 kg	0.22 kg	0.22 kg

SIMATIC S7-1500 Advanced Controllers

I/O modules

Communication

CM PtP

Ordering data

Article No.

CM PtP RS 232 BA communication module

Basic communication module with one RS 232 interface, Freeport, 3964(R) and USS protocols, 9-pin sub D connector, max. 19.2 kbit/s

6ES7540-1AD00-0AA0

CM PtP RS 232 HF communication module

High Feature communication module with one RS 232 interface, Freeport, 3964(R), USS and Modbus RTU protocols, 9-pin sub D connector, max. 115.2 kbit/s

6ES7541-1AD00-0AB0

CM PtP RS 422/485 BA communication module

Basic communication module with one RS 422/485 interface, Freeport, 3964(R) and USS protocols, 15-pin sub D socket, max. 19.2 kbit/s

6ES7540-1AB00-0AA0

CM PtP RS 422/485 HF communication module

High Feature communication module with one RS 422/485 interface, Freeport, 3964(R), USS and Modbus RTU protocols, 15-pin sub D socket, max. 115.2 kbit/s

6ES7541-1AB00-0AB0

Article No.

Accessories

RS 232 connecting cable

For linking to SIMATIC S7

5 m

6ES7902-1AB00-0AA0

10 m

6ES7902-1AC00-0AA0

15 m

6ES7902-1AD00-0AA0

RS 422/485 connecting cable

For linking to SIMATIC S7

5 m

6ES7902-3AB00-0AA0

10 m

6ES7902-3AC00-0AA0

50 m

6ES7902-3AG00-0AA0

SIMATIC Manual Collection

6ES7998-8XC01-8YE0

Electronic manuals on DVD, multi-language:
LOGO!, SIMADYN, SIMATIC bus components, SIMATIC C7, SIMATIC Distributed I/O, SIMATIC HMI, SIMATIC Sensors, SIMATIC NET, SIMATIC PC-based Automation, SIMATIC PCS 7, SIMATIC PG/PC, SIMATIC S7, SIMATIC Software, SIMATIC TDC

SIMATIC Manual Collection update service for 1 year

6ES7998-8XC01-8YE2

Current "Manual Collection" DVD and the three subsequent updates

Overview



DP-M	DP-S	FMS	PG/OP	S7	
●	●		●	●	

The CM 1542-5 communications module expands the SIMATIC S7-1500 controller to include a PROFIBUS connection for communication with lower-level PROFIBUS devices in bandwidths from 9.6 kbps to 12 Mbps. The module can also be used to implement separate PROFIBUS lines, in other words, to control a number of different field devices via a number of PROFIBUS segments. The CM 1542-5 assumes all communication tasks, thus reducing the CPU workload.

The CM 1542-5 is suitable for S7 communication as well as for conventional PROFIBUS communication. This makes it possible to establish communication between the S7-1500 controller and other devices, for example those from the SIMATIC S7-300/400 range.

- PROFIBUS DP master or DP slave with electrical interface for connecting the SIMATIC S7-1500 to PROFIBUS at up to 12 Mbps (including 45.45 kbps)
- Communication services:
 - PROFIBUS DP
 - PG/OP communication
 - S7 communication
 - Open user communication (SEND/RECEIVE) via FDL
- Time synchronization
- Simple programming and configuration over PROFIBUS
- Cross-network PG communication using S7 routing
- Module replacement without a PG
- Data record routing (PROFIBUS DP)
- Adding or modifying distributed I/O during operation

Technical specifications

Article number	6GK7542-5DX00-0XE0
Product type designation	CM 1542-5
Transmission rate	
Transfer rate	
• at the 1st interface acc. to PROFIBUS	9.6 kbit/s ... 12 Mbps
Interfaces	
Number of interfaces acc. to Industrial Ethernet	0
Number of electrical connections	
• at the 1st interface acc. to PROFIBUS	1
Type of electrical connection	
• at the 1st interface acc. to PROFIBUS	9-pin Sub-D socket (RS485)
Supply voltage, current consumption, power loss	
Type of voltage of the supply voltage	DC
Supply voltage 1 from backplane bus	15 V
Relative symmetrical tolerance at DC	
• at 15 V	3 %
Consumed current	
• from backplane bus at DC at 15 V typical	0.2 A
Power loss [W]	3 W
Permitted ambient conditions	
Ambient temperature	
• for vertical installation during operation	0 ... 40 °C
• for horizontally arranged busbars during operation	0 ... 60 °C
• during storage	-40 ... +70 °C
• during transport	-40 ... +70 °C
Relative humidity at 25 °C without condensation during operation maximum	95 %
Protection class IP	IP20
Design, dimensions and weight	
Module format	Compact module S7-1500 single width
Width	35 mm
Height	142 mm
Depth	129 mm
Net weight	0.4 kg
Mounting type	
• S7-1500 rail mounting	Yes
Product properties, functions, components general	
Number of units	
• per CPU maximum	8
• Note	depending on CPU type
Performance data open communication	
Number of possible connections for open communication by means of SEND/RECEIVE blocks maximum	30
Amount of data	
• as user data per connection for open communication by means of SEND/RECEIVE blocks maximum	240 byte

SIMATIC S7-1500 Advanced Controllers

I/O modules

Communication

CM 1542-5

Technical specifications (continued)

Article number	6GK7542-5DX00-0XE0
Product type designation	CM 1542-5
Performance data PROFIBUS DP	
Service as DP master	
• DPV1	Yes
Number of DP slaves on DP master usable	125
Amount of data	
• of the address area of the inputs as DP master total	8 192 byte
• of the address area of the outputs as DP master total	8 192 byte
• of the address area of the inputs per DP slave	244 byte
• of the address area of the outputs per DP slave	244 byte
Service as DP slave	
• DPV0	Yes
• DPV1	Yes
Amount of data	
• of the address area of the inputs as DP slave total	240 byte
• of the address area of the outputs as DP slave total	240 byte
Performance data S7 communication	
Number of possible connections for S7 communication	
• maximum	48
• Note	depending on the system upper limit
Performance data multi-protocol mode	
Number of active connections with multi-protocol mode	48
Performance data telecontrol	
Protocol is supported	
• TCP/IP	No
Product functions management, configuration	
Configuration software	
• required	STEP 7 Professional V12 (TIA Portal) or higher
Identification & maintenance function	
• I&MO - device-specific information	Yes
• I&M1 – higher-level designation/ location designation	Yes
Product functions Diagnosis	
Product function Web-based diagnostics	Yes; yes, via S7-1500 CPU
Product functions Time	
Product function pass on time synchronization	Yes

Ordering data

Article No.

CM 1542-5 communication module

Communications module for electrical connection of SIMATIC S7-1500 to PROFIBUS as DP master or DP slave; S7 and PG/OP communication, data record routing, time synchronization, diagnostics

6GK7542-5DX00-0XE0

Accessories

PROFIBUS FastConnect RS 485 connection plug

With 90° cable outlet; insulation displacement technology, max. transmission rate 12 Mbps

- Without PG interface
- With programming device interface

6ES7972-0BA52-0XA0
6ES7972-0BB52-0XA0

PROFIBUS FC Standard Cable

2-wire bus cable, shielded, special design for fast mounting, delivery unit: max. 1000 m, minimum order quantity 20 m, sold by the meter

6XV1830-0EH10

PROFIBUS FastConnect stripping tool

Stripping tool for fast stripping of the PROFIBUS FastConnect bus cable

6GK1905-6AA00

PROFIBUS bus terminal 12M

Bus terminal for connection of PROFIBUS nodes up to 12 Mbps with connecting cable

6GK1500-0AA10

Overview



DP-M	DP-S	FMS	PG/OP	S7/S5	
●	●		●		

The CP 1542-5 communications processor expands the SIMATIC S7-1500 controller to include a PROFIBUS connection for communication with lower-level PROFIBUS devices in bandwidths from 9.6 kbps to 12 Mbps. This processor allows the implementation of separate PROFIBUS lines, in other words the control of multiple field devices over multiple PROFIBUS segments. The CP 1542-5 handles all communication tasks, thus reducing the CPU load.

- PROFIBUS DP master or DP slave with electrical interface for connecting the SIMATIC S7-1500 to PROFIBUS at up to 12 Mbps (including 45.45 kbps)

Communication services:

- PROFIBUS DP
- PG/OP communication
- Time synchronization
- Simple programming and configuration over PROFIBUS
- Cross-network PG communication using S7 routing
- Module replacement without a PG

Technical specifications

Article number	6GK7542-5FX00-0XE0
Product type designation	CP 1542-5
Transmission rate	
Transfer rate	
• at the 1st interface acc. to PROFIBUS	9.6 kbit/s ... 12 Mbps
Interfaces	
Number of interfaces acc. to Industrial Ethernet	0
Number of electrical connections	
• at the 1st interface acc. to PROFIBUS	1
Type of electrical connection	
• at the 1st interface acc. to PROFIBUS	9-pin Sub-D socket (RS485)
Supply voltage, current consumption, power loss	
Type of voltage of the supply voltage	DC
Supply voltage 1 from backplane bus	15 V
Relative symmetrical tolerance at DC	
• at 15 V	3 %
Consumed current	
• from backplane bus at DC at 15 V typical	0.1 A
Power loss [W]	1.5 W
Permitted ambient conditions	
Ambient temperature	
• for vertical installation during operation	0 ... 40 °C
• for horizontally arranged busbars during operation	0 ... 60 °C
• during storage	-40 ... +70 °C
• during transport	-40 ... +70 °C
Relative humidity at 25 °C without condensation during operation maximum	95 %
Protection class IP	IP20
Design, dimensions and weight	
Module format	Compact module S7-1500 single width
Width	35 mm
Height	142 mm
Depth	129 mm
Net weight	0.27 kg
Mounting type	
• S7-1500 rail mounting	Yes
Product properties, functions, components general	
Number of units	
• per CPU maximum	8
• Note	depending on CPU type

SIMATIC S7-1500 Advanced Controllers

I/O modules

Communication

CP 1542-5

Technical specifications (continued)

Article number	6GK7542-5FX00-0XE0
Product type designation	CP 1542-5
Performance data PROFIBUS DP	
Service as DP master	
• DPV1	Yes
Number of DP slaves on DP master usable	32
Amount of data	
• of the address area of the inputs as DP master total	2 048 byte
• of the address area of the outputs as DP master total	2 048 byte
• of the address area of the inputs per DP slave	244 byte
• of the address area of the outputs per DP slave	244 byte
Service as DP slave	
• DPV0	Yes
• DPV1	Yes
Amount of data	
• of the address area of the inputs as DP slave total	240 byte
• of the address area of the outputs as DP slave total	240 byte
Performance data S7 communication	
Number of possible connections for S7 communication	
• maximum	16
• Note	depending on the system upper limit
Performance data multi-protocol mode	
Number of active connections with multi-protocol mode	16
Performance data telecontrol	
Protocol is supported	
• TCP/IP	No
Product functions management, configuration	
Configuration software	
• required	STEP 7 Professional V12 SP1 (TIA Portal) or higher
Identification & maintenance function	
• I&MO - device-specific information	Yes
• I&M1 – higher-level designation/location designation	Yes
Product functions Diagnosis	
Product function Web-based diagnostics	Yes; yes, via S7-1500 CPU
Product functions Time	
Product function pass on time synchronization	Yes

Ordering data

Article No.

CP 1542-5 communications processor

Communications module for electrical connection of SIMATIC S7-1500 to PROFIBUS as DP master or DP slave; PG/OP communication, time synchronization, diagnostics; smaller quantity structure

6GK7542-5FX00-0XE0

Accessories

PROFIBUS FastConnect RS 485 connection plug

With 90° cable outlet; insulation displacement technology, max. transmission rate 12 Mbps

- Without programming device interface
- With programming device interface

6ES7972-0BA52-0XA0

6ES7972-0BB52-0XA0

PROFIBUS FC Standard Cable

2-wire bus cable, shielded, special design for fast mounting, delivery unit: max. 1000 m, minimum order quantity 20 m, sold by the meter

6XV1830-0EH10

PROFIBUS FastConnect stripping tool

Stripping tool for fast stripping of the PROFIBUS FastConnect bus cable

6GK1905-6AA00

PROFIBUS bus terminal 12M

Bus terminal for connection of PROFIBUS stations for up to 12 Mbps with connecting cable

6GK1500-0AA10

Overview



ISO	TCP/UDP	PN	MRP	IT	IP-R	PG/OP	S7/S5
	●	●	●	●	●	●	●

Communications module for connecting a SIMATIC S7-1500 to PROFINET networks as PROFINET IO controller or PROFINET IO device.

The CM 1542-1 supports the following communication services:

- PG/OP communication
- S7 communication
- Open communication (SEND/RECEIVE)
- PROFINET communication
- IT communication;
 - web diagnostics by means of access to the Web server of the S7-1500 system
 - Static IP routing with up to 1 Mbps via IPv4 to other CM 1543-1 / CM 1542-1 units in an S7-1500 station, e.g., for web server accesses without real-time capability.

Technical specifications

Article number	6GK7542-1AX00-0XE0
Product type designation	CM 1542-1
Transmission rate	
Transfer rate	
• at the 1st interface	10 ... 100 Mbps
Interfaces	
Number of interfaces acc. to Industrial Ethernet	1
Number of electrical connections	
• at the 1st interface acc. to Industrial Ethernet	2
Type of electrical connection	
• at the 1st interface acc. to Industrial Ethernet	RJ45 port
Supply voltage, current consumption, power loss	
Type of voltage of the supply voltage	DC
Supply voltage 1 from backplane bus	15 V
Relative symmetrical tolerance at DC	
• at 15 V	3 %
Consumed current	
• from backplane bus at DC at 15 V typical	0.22 A
Power loss [W]	3.3 W
Permitted ambient conditions	
Ambient temperature	
• for vertical installation during operation	0 ... 40 °C
• for horizontally arranged busbars during operation	0 ... 60 °C
• during storage	-40 ... +70 °C
• during transport	-40 ... +70 °C
Relative humidity at 25 °C without condensation during operation maximum	95 %
Protection class IP	IP20

Article number	6GK7542-1AX00-0XE0
Product type designation	CM 1542-1
Design, dimensions and weight	
Module format	Compact module S7-1500 single width
Width	35 mm
Height	142 mm
Depth	129 mm
Net weight	0.4 kg
Mounting type	
• S7-1500 rail mounting	Yes
Product properties, functions, components general	
Number of units	
• per CPU maximum	8
• Note	depending on CPU type
Performance data open communication	
Number of possible connections for open communication	
• by means of T blocks maximum	64; depending on the system upper limit
Amount of data	
• as user data per ISO on TCP connection for open communication by means of T blocks maximum	65 536 byte
Number of Multicast stations	6
Performance data S7 communication	
Number of possible connections for S7 communication	
• maximum	64
• Note	depending on the system upper limit

SIMATIC S7-1500 Advanced Controllers

I/O modules

Communication

CM 1542-1

Technical specifications (continued)

Article number	6GK7542-1AX00-0XE0
Product type designation	CM 1542-1
Performance data multi-protocol mode	
Number of active connections with multi-protocol mode	64
Performance data PROFINET communication as PN IO-Controller	
Product function PROFINET IO controller	Yes
Number of PN IO devices on PROFINET IO controller usable total	128
Number of PN IO IRT devices on PROFINET IO controller usable	64
Number of external PN IO lines with PROFINET per rack	10
Amount of data	
• as user data for input variables as PROFINET IO controller maximum	8 Kibyte
• as user data for input variables as PROFINET IO controller maximum	8 Kibyte
• as user data for input variables per PN IO device as PROFINET IO controller maximum	1 433 byte
• as user data for output variables per PN IO device as PROFINET IO controller maximum	1 433 byte
• as user data for input variables per PN IO device for each sub-module as PROFINET IO controller maximum	256 byte
• as user data for output variables per PN IO device for each sub-module as PROFINET IO controller maximum	256 byte
Performance data PROFINET communication as PN IO-Device	
Product function PROFINET IO device	Yes
Amount of data	
• as user data for input variables as PROFINET IO device maximum	8 192 byte
• as user data for input variables as PROFINET IO device maximum	8 192 byte
• as user data for input variables for each sub-module as PROFINET IO device	256 byte
• as user data for input variables for each sub-module as PROFINET IO device	256 byte
• as user data for the consistency area for each sub-module	256 byte
Number of submodules per PROFINET IO-Device	32
Performance data telecontrol	
Protocol is supported	
• TCP/IP	Yes
Product functions management, configuration	
Product function MIB support	Yes
Protocol is supported	
• SNMP v1	Yes
• DCP	Yes
• LLDP	Yes
Configuration software	
• required	STEP 7 Professional V14 (TIA Portal) or higher

Article number	6GK7542-1AX00-0XE0
Product type designation	CM 1542-1
Identification & maintenance function	
• I&M0 - device-specific information	Yes
• I&M1 – higher-level designation/ location designation	Yes
Product functions Diagnosis	
Product function Web-based diagnostics	Yes; yes, via S7-1500 CPU
Product functions switch	
Product feature Switch	Yes
Product function	
• switch-managed	No
• with IRT PROFINET IO switch	Yes
• Configuration with STEP 7	Yes
Product functions Routing	
Service Routing Note	IP routing up to 1 Mbps
Product function	
• Static IP routing	Yes
• Static IP routing IPv6	No
• dynamic IP routing	No
• dynamic IP routing IPv6	No
Protocol is supported	
• RIP v1	No
• RIPv2	No
• RIPnG for IPv6	No
• OSPFv2	No
• OSPFv3 for IPv6	No
• VRRP	No
• VRRP for IPv6	No
• BGP	No
• PPP	No
• PPOE via DSL	No
Product functions Redundancy	
Product function	
• Ring redundancy	Yes
• Redundancy manager	Yes
Protocol is supported	Yes
Media Redundancy Protocol (MRP)	
Product functions Security	
Product function	
• switch-off of non-required services	Yes
• Blocking of communication via physical ports	No
• log file for unauthorized access	No
Product functions Time	
Product function SICLOCK support	Yes
Product function pass on time synchronization	Yes
Protocol is supported	
• NTP	Yes

4

SIMATIC S7-1500 Advanced Controllers

I/O modules

Communication

CP 1543-1

Overview



ISO	TCP/UDP	PN	MRP	IT	IP-R	PG/OP	S7/S5
●	●			●	●	●	●

The SIMATIC CP 1543-1 communications processor securely connects the new SIMATIC S7-1500 controller to Industrial Ethernet networks. By combining a variety of security features such as stateful packet inspection firewalls and VPNs, and data encryption protocols such as FTPS and SNMPv3, the communications processor protects individual S7-1500 stations or even entire automation cells against unauthorized access.

The CP can also be used for linking the S7-1500 station into an IPv6-based network. All functions are configured by means of STEP 7 Professional V12 (TIA Portal) or higher.

The CP 1543-1 supports the following communications services:

- PG/OP communication
- S7 communication
- Open user communication (SEND/RECEIVE, FETCH/WRITE)
- IT communication
 - FTP functions (File Transfer Protocol FTP/FTPS) for file management and access to data blocks in the CPU (client and server function)
 - Access (read and write modes) to csv files stored on the memory card of the CPU via FTP(S)
 - Sending emails via SMTP or ESMTP with "SMTP-Auth" for authentication on an email server (also with IPv6)
 - Static IP routing with up to 1 Mbps via IPv4 to other CM 1543-1 / CM 1542-1 units in an S7-1500 system, e.g., for web server accesses without real-time capability. Securing a cell by activating the security function in the CP 1543-1 automatically deactivates IP routing.
- Security Integrated
 - Stateful Packet Inspection Firewall
 - Secure communication via VPN (IPsec)
- Protocols for secure communication
 - Secure access to the web server of the CPU via the HTTPS protocol
 - Secure file transfer using FTPS
 - Secure transfer of the time of day (NTP)
 - SNMPv3 for tap-proof transfer of network analysis information
 - Encrypted email communication via SMTPS (Port 587)
 - Open communication over TCP/IP
- Integration of the S7-1500 into IPv6-based networks

An IPv6-compliant IP address can be used for the following communication services:

 - FETCH/WRITE access (CP as server)
 - FTP server mode
 - FTP client mode with addressing by program block
 - Email transfer with addressing by program block

Technical specifications

Article number	6GK7543-1AX00-0XE0
Product type designation	CP 1543-1
Transmission rate	
Transfer rate	
• at the 1st interface	10 ... 1 000 Mbps
Interfaces	
Number of interfaces acc. to Industrial Ethernet	1
Number of electrical connections	
• at the 1st interface acc. to Industrial Ethernet	1
Type of electrical connection	
• at the 1st interface acc. to Industrial Ethernet	RJ45 port
Supply voltage, current consumption, power loss	
Type of voltage of the supply voltage	DC
Supply voltage 1 from backplane bus	15 V
Relative symmetrical tolerance at DC	
• at 15 V	3 %
Consumed current	
• from backplane bus at DC at 15 V typical	0.35 A
Power loss [W]	5.3 W

Article number	6GK7543-1AX00-0XE0
Product type designation	CP 1543-1
Permitted ambient conditions	
Ambient temperature	
• for vertical installation during operation	0 ... 40 °C
• for horizontally arranged busbars during operation	0 ... 60 °C
• during storage	-40 ... +70 °C
• during transport	-40 ... +70 °C
Relative humidity at 25 °C without condensation during operation maximum	95 %
Protection class IP	IP20
Design, dimensions and weight	
Module format	Compact module S7-1500 single width
Width	35 mm
Height	142 mm
Depth	129 mm
Net weight	0.35 kg
Mounting type	
• S7-1500 rail mounting	Yes

Technical specifications (continued)

Article number	6GK7543-1AX00-0XE0
Product type designation	CP 1543-1
Product properties, functions, components general	
Number of units	
• per CPU maximum	8
• Note	depending on CPU type
Performance data open communication	
Number of possible connections for open communication	
• by means of T blocks maximum	118; depending on the system upper limit
Amount of data	
• as user data per ISO on TCP connection for open communication by means of T blocks maximum	65 536 byte
Number of Multicast stations	118
Performance data S7 communication	
Number of possible connections for S7 communication	
• maximum	118
• Note	depending on the system upper limit
Performance data multi-protocol mode	
Number of active connections with multi-protocol mode	118
Performance data IT functions	
Number of possible connections	
• as client by means of FTP maximum	32
• as server by means of FTP maximum	16
Number of possible connections	
• as server by means of HTTP maximum	4
• as e-mail client maximum	1
Amount of data as user data for email maximum	64 Kibyte
Performance data telecontrol	
Protocol is supported	
• TCP/IP	Yes
Product functions management, configuration	
Product function MIB support	Yes
Protocol is supported	
• SNMP v1	Yes
• DCP	Yes
• LLDP	No
Configuration software	
• required	STEP 7 Professional V14 (TIA Portal) or higher
Identification & maintenance function	
• I&MO - device-specific information	Yes
• I&M1 – higher-level designation/ location designation	Yes

Article number	6GK7543-1AX00-0XE0
Product type designation	CP 1543-1
Product functions Diagnosis	
Product function Web-based diagnostics	Yes; yes, via S7-1500 CPU
Product functions Routing	
Service Routing Note	IP routing up to 1 Mbps
Product function	
• Static IP routing	Yes
• Static IP routing IPv6	No
• dynamic IP routing	No
• dynamic IP routing IPv6	No
Protocol is supported	
• RIP v1	No
• RIPv2	No
• RIPnG for IPv6	No
• OSPFv2	No
• OSPFv3 for IPv6	No
• VRRP	No
• VRRP for IPv6	No
• BGP	No
• PPP	No
• PPoE via DSL	No
Product functions Security	
Firewall version	stateful inspection
Product function with VPN connection	IPSec
Type of encryption algorithms with VPN connection	AES-256, AES-192, AES-128, 3DES-168, DES-56
Type of authentication procedure with VPN connection	Preshared key (PSK), X.509v3 certificates
Type of hashing algorithms with VPN connection	MD5, SHA-1
Number of possible connections with VPN connection	16
Product function	
• password protection for Web applications	No
• ACL - IP-based	No
• ACL - IP-based for PLC/routing	No
• switch-off of non-required services	Yes
• Blocking of communication via physical ports	No
• log file for unauthorized access	Yes
Product functions Time	
Product function SICLOCK support	Yes
Product function pass on time synchronization	Yes
Protocol is supported	
• NTP	Yes

SIMATIC S7-1500 Advanced Controllers

I/O modules

Communication

CP 1543-1

Ordering data

Article No.

Article No.

CP 1543-1

communications processor

For connecting SIMATIC S7-1500 to Industrial Ethernet via TCP/IP, ISO and UDP and security functions (VPN, firewall); 1 x RJ45 interface with 10/100/1000 Mbps; SNMPv1/V3; time synchronization via NTP, FTP, email, IPv4/IPv6

6GK7543-1AX00-0XE0

Accessories

IE FC RJ45 plug 180 2 x 2

RJ45 plug connector for Industrial Ethernet with a rugged metal enclosure and integrated insulation displacement contacts for connecting Industrial Ethernet FC installation cables; with 180° cable outlet; for network components and CPs/CPUs with Industrial Ethernet interface

- 1 pack = 1 unit
- 1 pack = 10 units
- 1 pack = 50 units

6GK1901-1BB10-2AA0
6GK1901-1BB10-2AB0
6GK1901-1BB10-2AE0

IE FC RJ45 plug 4 x 2

RJ45 plug connector for Industrial Ethernet (10/100/1000 Mbps) with a rugged metal enclosure and integrated insulation displacement contacts for connecting Industrial Ethernet FC installation cables; 180° cable outlet; for network components and CPs/CPUs with Industrial Ethernet interface

- 1 pack = 1 unit
- 1 pack = 10 units
- 1 pack = 50 units

6GK1901-1BB11-2AA0
6GK1901-1BB11-2AB0
6GK1901-1BB11-2AE0

IE FC TP Standard Cable GP 2 x 2 (Type A)

4-wire, shielded TP installation cable for connection to IE FC outlet RJ45/IE FC RJ45 plug; PROFINET-compatible; with UL approval; sold by the meter; max. delivery unit 1000 m, minimum order quantity 20 m

6XV1840-2AH10

IE FC TP Standard Cable GP 4 x 2

8-wire, shielded TP installation cable for connection to IE FC RJ45 Modular Outlet for universal applications; with UL approval; sold by the meter; max. delivery unit 1000 m, minimum order quantity 20 m

- AWG22, for connection to IE FC RJ45 Modular Outlet
- AWG24, for connection to IE FC RJ45 plug 4 x 2

6XV1870-2E

6XV1878-2A

IE FC stripping tool

Pre-adjusted stripping tool for fast stripping of Industrial Ethernet FC cables

6GK1901-1GA00

4

Overview



- TIM 1531 IRC communication module for telecontrol applications with four interfaces as a stand-alone device for SIMATIC S7-1500 for use in wide area networks (WANs)
- For universal use in a station, node station and control center
- Communication either via the SINAUT ST7, IEC 60870-5-101/104 or DNP3 telecontrol protocols
- Operation via VPN (IPsec/OpenVPN) with additional SIMATIC NET components
- Wireless communication via mobile wireless routers, modems or radio devices
- Wired communication via Ethernet, Internet, 2/4 wire cables (SHDSL), dialup modems or dedicated line modem
- Frame buffer for seamless recording of data
- Support of redundant communication paths
- Simple configuration with STEP 7 Professional V15.1 (TIA Portal)

Technical specifications

Article number	6GK7543-1MX00-0XE0
Product type designation	TIM 1531 IRC
Transmission rate	
Transfer rate	
• at the 1st interface	10 ... 1 000 Mbps
• at the 2nd interface	10 ... 100 Mbps
• at interface 3	10 ... 100 Mbps
• acc. to RS 232	300 ... 115 200 bit/s
Interfaces	
Number of interfaces acc. to Industrial Ethernet	3
Number of electrical connections	
• for external data transmission acc. to RS 232	1
• for power supply	1
Number of slots	
• for memory cards	1
Type of electrical connection	
• of Industrial Ethernet interface	RJ45 port
• at interface 1 for external data transmission	9 pin Sub-D-connector, RS232 switchable to RS485
• for power supply	2-pole plugable terminal block
Slot version	
• of the memory card	SD 1.0, SD 1.1, SDHC, Siemens SMC
Storage capacity of the memory card maximum	32 Gbyte
Supply voltage, current consumption, power loss	
Type of voltage of the supply voltage	DC
Supply voltage	24 V
Supply voltage	20.4 ... 28.8 V
Supply voltage external at DC Rated value	24 V
Supply voltage external at DC rated value	20.4 ... 28.8 V

Article number	6GK7543-1MX00-0XE0
Product type designation	TIM 1531 IRC
Consumed current	
• from external supply voltage at DC at 24 V typical	0.15 A
• from external supply voltage at DC at 24 V maximum	0.3 A
Power loss [W] with external supply voltage at 24 V DC	
• in update mode typical	3.9 W
• in communication mode typical	3.9 W
Product extension optional Backup battery	No
Permitted ambient conditions	
Ambient temperature	
• during operation	0 ... 70 °C
• for vertical installation during operation	0 ... 50 °C
• for horizontally arranged busbars during operation	0 ... 70 °C
• during storage	-40 ... +70 °C
• during transport	-40 ... +70 °C
Relative humidity at 25 °C without condensation during operation maximum	95 %
Protection class IP	IP20
Design, dimensions and weight	
Module format	Compact module S7-1500 double-wide
Width	70 mm
Height	147 mm
Depth	129 mm
Net weight	0.525 kg
Mounting type	
• 35 mm DIN rail mounting	No
• S7-300 rail mounting	No
• S7-1500 rail mounting	Yes

SIMATIC S7-1500 Advanced Controllers

I/O modules

Communication

TIM 1531 IRC (for S7-1500)

Technical specifications (continued)

Article number	6GK7543-1MX00-0XE0
Product type designation	TIM 1531 IRC
Product properties, functions, components general	
Product function	
• DynDNS client	No
Number of units	
• Note	Number of TIM per S7-1500: 1
Wire length	
• with RS 232 interface maximum	6 m
• with RS 485 interface maximum	30 m
Performance data S7 communication	
Number of possible connections for S7 communication	
• maximum	132
• with PG connections maximum	4
• with PG/OP connections maximum	4
• with OP connections maximum	4
• Note	only via LAN
Service	
• of SIMATIC communication as server	Yes
• SINAUT ST7 via S7 communication	Yes
• PG/OP communication	Yes
Performance data IT functions	
Number of possible connections	
• as server by means of HTTP maximum	2
• as server by means of HTTPS maximum	2
• as e-mail client maximum	1
Performance data telecontrol	
Suitability for use	
• Node station	Yes
• substation	Yes
• TIM control center	Yes
Protocol is supported	
• DNP3	Yes
• IEC 60870-5	Yes
• SINAUT ST1 protocol	No
• SINAUT ST7 protocol	Yes
• Modbus RTU	No
Product function data buffering if connection is aborted	Yes
Number of data points per station maximum	3 000
Number of DNP3 masters	
• for Ethernet maximum	4
• with RS 232 interface maximum	4
Product feature Buffered message frame memory	Yes
Transmission format	
• for SINAUT ST7 protocol with polling or spontaneous 10-bit or 11-bit	Yes
Operating mode for scanning of data transmission	
• with dedicated line/radio link with SINAUT ST7 protocol	Polling, polling with time slot procedure
• with dial-up network with SINAUT ST7 protocol	spontaneous
Hamming distance	
• for SINAUT ST7 protocol	4

Article number	6GK7543-1MX00-0XE0
Product type designation	TIM 1531 IRC
Performance data Teleservice	
Diagnostics function online diagnostics with SIMATIC STEP 7	Yes
Product function	
• program download with SIMATIC STEP 7	Yes
• Remote firmware update	Yes
• remote configuration	Yes
Product functions management, configuration	
Product function MIB support	Yes
Protocol is supported	
• SNMP v1	Yes
• SNMP v3	Yes
• DCP	Yes
• LLDP	Yes
Configuration software	
• required	STEP 7 Professional V14 SP1 (TIA Portal) or higher
• for CPU configuring required SINAUT TD7 block library for CPU	No
• for PG configuring required SINAUT ST7 configuration software for PG	No
Storage location of TIM configuration data	Flash or SD card of the TIM 1531 IRC
Identification & maintenance function	
• I&M0 - device-specific information	Yes
• I&M1 - higher-level designation/location designation	Yes
• I&M2 - installation date	Yes
• I&M3 - comment	Yes
Product functions Diagnosis	
Product function Web-based diagnostics	Yes
Product functions Routing	
Service Routing Note	IP routing up to 1 Mbps
Product function	
• Static IP routing	Yes
• Static IP routing IPv6	Yes
• dynamic IP routing	No
• dynamic IP routing IPv6	No
Protocol is supported	
• RIP v1	No
• RIPv2	No
• RIPnG for IPv6	No
• OSPFv2	No
• OSPFv3 for IPv6	No
• VRRP	No
• VRRP for IPv6	No
• BGP	No
• PPP	No
• PpOE via DSL	No

Technical specifications (continued)

Article number	6GK7543-1MX00-0XE0
Product type designation	TIM 1531 IRC
Product functions Security	
Product function	
• MSC client via GPRS modem with MSC capability	Yes
Protocol	
• is supported MSC protocol	Yes
• with Virtual Private Network MSC is supported	TCP/IP
Key length for MSC with Virtual Private Network	128 bit
Number of possible connections	
• as MSC client with VPN connection	1
• as MSC server with VPN connection	127
Product functions Time	
Product function SICLOCK support	No
Product function pass on time synchronization	Yes
Protocol is supported	
• NTP	Yes
• NTP (secure)	Yes
Product component Hardware real-time clock	No
Product feature Hardware real-time clock w. battery backup time synchronization	No
• from NTP-server	Yes
• from GPS-signal	No
• from control center	Yes
• from mobile network provider	No
• PC	No
• manual setting	No
Product functions Position recognition	
Product function	
• position detection with GPS	No
• pass on position data	No

Ordering data**Article No.**

TIM 1531 IRC communication module	6GK7543-1MX00-0XE0
TIM 1531 IRC communication module for SIMATIC S7-1500, S7-400, S7-300 with SINAUT ST7, DNP3 and IEC 60870-5-101/104 with three RJ45 interfaces for communication via IP-based networks (WAN/LAN) and an RS 232/RS 485 interface for communication via conventional WANs	
Accessories	
Engineering software STEP 7 Professional V15.1	
SIMATIC STEP 7 Professional V15.1 floating license	6ES7822-1AA05-0YA5
Upgrade SIMATIC STEP 7 Basic V11 ... V14 -> V15.1 floating license	6ES7822-0AA05-0YE5
Upgrade SIMATIC STEP 7 Professional V11 ... V14 -> V15.1 V11 ... V14/201x combo -> V15.1/2017 SR1 combo or 2006 ... 2010 -> V15.1/2017 SR1 combo floating license	6ES7822-1AA05-0YE5
DIN rail	
SIMATIC S7-1500, 160 mm DIN rail; incl. grounding screw, integrated DIN rail for mounting small items, such as terminals, relays	6ES7590-1AB60-0AA0
SIMATIC memory card	
SIMATIC S7, Memory Card for S7-1x 00 CPU/SINAMICS, 3.3 V flash, 24 MB	6ES7954-8LF03-0AA0
SCALANCE M874-2	
2G mobile wireless routers (GPRS/EDGE); 2 RJ45 ports, firewall, VPN, NAT	6GK5874-2AA00-2AA2
SCALANCE M874-3	
3G mobile wireless routers (GPRS/EDGE/HSPA+); 2 RJ45 ports, firewall, VPN, NAT	6GK5874-3AA00-2AA2
SCALANCE M876-3	
3G router; for wireless IP communication of Ethernet-based programmable controllers via 3G mobile radio HSPA+/EV-DO, VPN, firewall, NAT; 4-port switch; antenna diversity; 1 x digital input, 1 x digital output; note country approvals. Note provider approvals!	6GK5876-3AA02-2BA2
SCALANCE M876-4 (EU)	
4G router; for wireless IP communication of Ethernet-based programmable controllers via LTE (4G) mobile radio optimized for use in Europe, VPN, firewall, NAT; 4-port switch; 2 x SMA antenna, MIMO technology; 1 x digital input, 1 x digital output; note country approvals.	6GK5876-4AA00-2BA2

SIMATIC S7-1500 Advanced Controllers

I/O modules

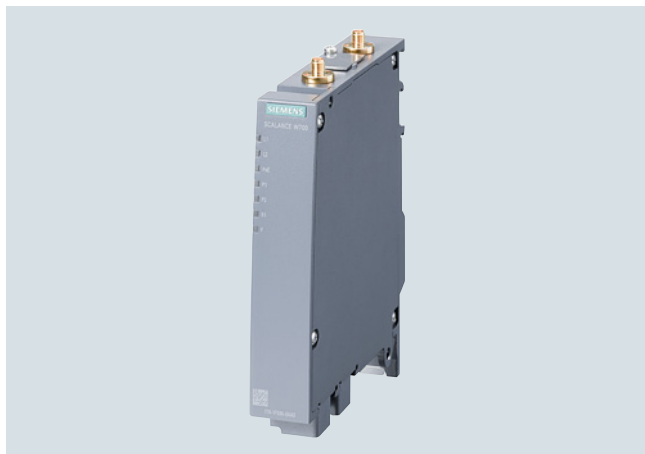
Communication

TIM 1531 IRC (for S7-1500)

Ordering data

Ordering data	Article No.	Ordering data	Article No.
SCALANCE M876-4 (NAM) 4G router (NAM); for wireless IP communication of Ethernet-based programmable controllers via LTE (4G) mobile radio optimized for use in North America, VPN, firewall, NAT; 4-port switch; 2 x SMA antenna, MIMO technology; 1 x digital input, 1 x digital output; note country approvals!	6GK5876-4AA00-2DA2	MD720 modem GSM/GPRS, 2G mobile modem with RS 232 interface; for GSM services CSD, GPRS, SMS; Quadband GSM; AT command interface; note country-specific approvals! Autom. GPRS connection; including gender changer for RS 232/PPI adapter	6NH9720-3AA01-0XX0
SCALANCE M812-1 ADSL router For wired IP communication of Ethernet-based automation devices via Internet Service Providers; VPN, firewall, NAT; 1x Ethernet RJ45 port, 1x digital input, 1x digital output; ADSL2+, Annex B	6GK5812-1BA00-2AA2	Connecting cable With one end open for connecting a TIM (RS 232) to a third-party modem or radio unit (RS 232); cable length 2.5 m	6NH7701-4BN
SCALANCE M812-1 ADSL router For wired IP communication of Ethernet-based automation devices via Internet Service Providers; VPN, firewall, NAT; 4-port switch; 1x digital input, 1x digital output; ADSL2+, Annex A	6GK5812-1BA00-2AA2	Connecting cable For connecting two TIMs via their RS 232 interfaces without modems (null modem); cable length 6 m	6NH7701-0AR
SCALANCE M816-1 ADSL router For wired IP communication of Ethernet-based automation devices via Internet Service Providers; VPN, firewall, NAT; 4-port switch; 1x digital input, 1x digital output; ADSL2+, Annex B, J	6GK5816-1BA00-2AA2	SITOP compact 24 V/0.6 A 1-phase power supply with wide range input 85 ... 264 V AC/ 110 ... 300 V DC, 24 V stabilized output voltage, 0.6 A nominal value of output current, slim design	6EP1331-5BA00
SCALANCE M826-2 SHDSL router For IP communication via the 2-wire and 4-wire cables of Ethernet-based automation devices; SHDSL topology: point-to-point, bonding, line bridge mode; routing mode with VPN, firewall, NAT; 4-port switch; 1x digital input, 1x digital output	6GK5826-2AB00-2AB2	SIMATIC PM 1507 24 V/3 A Stabilized power supply for SIMATIC S7-1500 input: 120/230 V AC output: 24 V DC/3 A	6EP1332-4BA00
		SIMATIC PM 1507 24 V/8 A Stabilized power supply for SIMATIC S7-1500 input: 120/230 V AC output: 24 V DC/8 A	6EP1333-4BA00

Overview



- Access points in SIMATIC S7-1500 design are suitable for applications where the device is to be mounted in the control cabinet

Technical specifications

Article number	6GK5774-1FX00-0AA0 6GK5774-1FX00-0AB0 ¹⁾ 6GK5774-1FX00-0AC0 ²⁾
Product type designation	SCALANCE W774-1 RJ45
Transmission rate	
Transfer rate	
• with WLAN maximum	300 Mbps
• for Industrial Ethernet	10, 100 Mbps
Transfer rate for Industrial Ethernet	
• minimum	10 Mbps
• maximum	100 Mbps
Interfaces	
Number of electrical connections	
• for network components or terminal equipment	2
• for power supply	1
• for redundant voltage supply	1
Type of electrical connection	
• for network components or terminal equipment	RJ45 socket
• for power supply	4-pole screw terminal, PoE
design of the removable storage	
• C-PLUG	Yes
• KEY-PLUG	Yes
Interfaces wireless	
Number of radio cards permanently installed	1
Transmission mode for multiple input multiple output (MIMO)	2x2
Number of spatial streams	2
Number of electrical connections for external antenna(s)	2
Type of electrical connection for external antenna(s)	R-SMA (socket)
Product feature external antenna can be mounted directly on device	Yes

Article number	6GK5774-1FX00-0AA0 6GK5774-1FX00-0AB0 ¹⁾ 6GK5774-1FX00-0AC0 ²⁾
Product type designation	SCALANCE W774-1 RJ45
Supply voltage, current consumption, power loss	
Type of voltage of the supply voltage	DC
Supply voltage 1	
• from terminal block	19.2 V
Supply voltage 2	
• from terminal block	28.8 V
Supply voltage	
• from Power-over-Ethernet acc. to IEEE802.3at for type 1 and IEEE802.3af	48 V
Consumed current	
• at DC at 24 V typical	0.25 A
• with Power-over-Ethernet according to IEEE802.3at for type 1 and IEEE802.3af typical	0.125 A
Power loss [W]	
• at DC at 24 V typical	6 W
• with Power-over-Ethernet according to IEEE802.3at for type 1 and IEEE802.3af typical	6 W
Permitted ambient conditions	
Ambient temperature	
• during operation	-20 ... +60 °C
• during storage	-40 ... +85 °C
• during transport	-40 ... +85 °C
Relative humidity at 25 °C without condensation during operation maximum	97 %
Ambient condition for operation	When used under hazardous conditions (Zone 2), the SCALANCE W774-1 RJ45 or W734-1 RJ45 product must be installed in an enclosure. To comply with EN 50021, this enclosure must meet the requirements of at least IP 54 in compliance with EN 60529.
Protection class IP	IP30

¹⁾ Wireless approval in the USA

²⁾ Wireless approval in Israel

SIMATIC S7-1500 Advanced Controllers

I/O modules

Communication

SCALANCE W774 RJ45 for the control cabinet

Technical specifications (continued)

Article number	6GK5774-1FX00-0AA0 6GK5774-1FX00-0AB0 ¹⁾ 6GK5774-1FX00-0AC0 ²⁾
Product type designation	SCALANCE W774-1 RJ45
Design, dimensions and weight	
Width	26 mm
Height	156 mm
Depth	127 mm
Width of the enclosure without antenna	26 mm
Height of the enclosure without antenna	147 mm
Depth of the enclosure without antenna	127 mm
Net weight	0.52 kg
Mounting type	wall mounting only if flat mounted
• S7-300 rail mounting	Yes
• S7-1500 rail mounting	Yes
• 35 mm DIN rail mounting	Yes
• wall mounting	Yes
Wireless frequencies	
Operating frequency	
• for WLAN in 2.4 GHz frequency band	2.41 ... 2.48 GHz
• for WLAN in 5 GHz frequency band	4.9 ... 5.8 GHz
Product properties, functions, components general	
Product function Access Point Mode	Yes
Product function Client Mode	Yes
Number of SSIDs	4
Product function	
• iPCF Access Point	Yes; Only in combination with the 'KEY-PLUG W780 iFeatures'
• iPCF client	Yes; Only in combination with the 'KEY-PLUG W740 iFeatures'
• iPCF-MC Access Point	No
• iPCF-MC client	Yes; Only in combination with the 'KEY-PLUG W740 iFeatures'
No. of iPCF-capable radio modules	1
Product function iREF	Yes; Only in combination with the 'KEY-PLUG W780 iFeatures' or 'KEY-PLUG W740 iFeatures'
No. of iREF-capable radio modules	1
Product function iPRP	Yes; In combination with the 'KEY-PLUG W780 iFeatures' only
Product functions management, configuration	
Number of manageable IP addresses in client	8
Product function	
• CLI	Yes
• web-based management	Yes
• MIB support	Yes
• TRAPs via email	Yes
• Configuration with STEP 7	Yes
• configuration with STEP 7 in the TIA Portal	Yes
• operation with IWLAN controller	No
• operation with Enterasys WLAN controller	No
• forced roaming on IP down with IWLAN	Yes
• forced roaming on link down with IWLAN	Yes
• WDS	Yes

Article number	6GK5774-1FX00-0AA0 6GK5774-1FX00-0AB0 ¹⁾ 6GK5774-1FX00-0AC0 ²⁾
Product type designation	SCALANCE W774-1 RJ45
Protocol is supported	
• Address Resolution Protocol (ARP)	Yes
• ICMP	Yes
• Telnet	Yes
• HTTP	Yes
• HTTPS	Yes
• TFTP	Yes
• DCP	Yes
• LLDP	Yes
Identification & maintenance function	
• I&M0 - device-specific information	Yes
• I&M1 - higher-level designation/location designation	Yes
Product functions Diagnosis	
Product function	
• PROFINET IO diagnosis	Yes
• Link Check	No
• connection monitoring IP-Alive	No
• localization via Aeroscout	Yes
• SysLog	Yes
Protocol is supported	
• SNMP v1	Yes
• SNMP v2	Yes
• SNMP v3	Yes
Product functions VLAN	
Product function	
• function VLAN with IWLAN	Yes
Product functions DHCP	
Product function	
• DHCP client	Yes
• in Client Mode DHCP server via LAN	Yes
• DHCP Option 82	Yes
Product functions Redundancy	
Protocol is supported	
• STP/RSTP	Yes
• MSTP	Yes
• RSTP	Yes
Product functions Security	
Product function	
• ACL - MAC-based	Yes
• Management security, ACL-IP based	Yes
• IEEE 802.1x (radius)	Yes
• NAT/NAPT	No
• access protection according to IEEE802.11i	Yes
• WPA/WPA2	Yes
• TKIP/AES	Yes
Protocol is supported	
• SSH	Yes
• RADIUS	Yes
Product functions Time	
Protocol is supported	
• NTP	Yes
• SNTP	Yes
• SIMATIC Time	Yes

¹⁾ Wireless approval in the USA

²⁾ Wireless approval in Israel

Technical specifications (continued)

Article number	6GK5774-1FX00-0AA0 6GK5774-1FX00-0AB0 ¹⁾ 6GK5774-1FX00-0AC0 ²⁾ SCALANCE W774-1 RJ45
Product type designation	SCALANCE W774-1 RJ45
Standards, specifications, approvals	
Standard	
• for FM	FM 3611: Class I, Division 2, Groups A,B,C,D, T4 / Class 1, Zone 2, Group IIC, T4
• for hazardous zone	EN 60079-15:2005, EN 60079-0:2006, II 3 G Ex nA II T4 KEMA 07 ATEX 0145X
• for safety from CSA and UL	UL 60950-1 CSA C22.2 No. 60950-1
Certificate of suitability	
• EC declaration of conformity	Yes
• CE marking	Yes
• C-Tick	Yes
• E1 approval	No
• Railway application in accordance with EN 50155	No
• Railway application in accordance with EN 50121-4	No
• NEMA TS2	No
• IEC 61375	No
• IEC 61850-3	No
• NEMA4X	No
• Power-over-Ethernet according IEEE802.3at for type 1 and IEEE802.3af	Yes
• Power-over-Ethernet according to IEEE802.3at for type 2	Yes
Standard for wireless communication	
• IEEE 802.11a	Yes
• IEEE 802.11b	Yes
• IEEE 802.11e	Yes
• IEEE 802.11g	Yes
• IEEE 802.11h	Yes
• IEEE 802.11i	Yes
• IEEE 802.11n	Yes
Wireless approval	You will find the current list of countries at: www.siemens.com/wireless-approvals
Marine classification association	
• American Bureau of Shipping Europe Ltd. (ABS)	Yes
• Bureau Veritas (BV)	Yes
• DNV GL	Yes
• Lloyds Register of Shipping (LRS)	Yes
• Nippon Kaiji Kyokai (NK)	Yes
• Polski Rejestr Statkow (PRS)	Yes
• Royal Institution of Naval Architects (RINA)	Yes
Accessories	
accessories	24 V DC screw terminal included in scope of delivery

1) Wireless approval in the USA

2) Wireless approval in Israel

Ordering data**Article No.****Access Points SCALANCE W774**

IWLAN access points with built-in wireless interface for establishing wireless connections with iFeatures; wireless networks IEEE 802.11a/b/g/h/n at 2.4/5 GHz up to 300 Mbps; WPA2/AES; integrated 2-port switch; Power over Ethernet (PoE), IP30 degree of protection (-20°C to +60°C); scope of supply: Mounting hardware; 4-pin screw terminal for 24 V DC; manual on CD-ROM; English/German

SCALANCE W774-1 RJ45

IWLAN Access Point with one built-in wireless interface

- Country approvals for operation outside the USA **6GK5774-1FX00-0AA0**
- Country approvals for operation within the USA ¹⁾ **6GK5774-1FX00-0AB0**
- Country approvals for operation in Israel ¹⁾ **6GK5774-1FX00-0AC0**

Accessories**KEY-PLUG W780 iFeatures**

Removable data storage medium for enabling additional iFeatures, for simple device replacement if a fault occurs and for storage of configuration data; can be used in SCALANCE W access points with PLUG compartment

C-PLUG

Removable data storage medium for simple replacement of devices if a fault occurs; for storing configuration data; can be used in SIMATIC NET products with PLUG compartment

IE FC RJ45 plug 180 x 2

RJ45 connector for Industrial Ethernet with a rugged metal enclosure and integrated insulation-displacement contacts for connecting Industrial Ethernet FC installation cables; with a 180° cable outlet; for network components and CPs/CPUs with Industrial Ethernet interface

- 1 pack = 1 unit **6GK1901-1BB10-2AA0**
- 1 pack = 10 units **6GK1901-1BB10-2AB0**
- 1 pack = 50 units **6GK1901-1BB10-2AE0**

IE FC Standard Cable GP 2 x 2

4-wire, shielded TP installation cable for connection to IE FC RJ45 outlet plug / IE FC RJ45 plug; PROFINET-compliant; with UL approval; sold by the meter; max. delivery unit 1 000 m, minimum order quantity 20 m

IE FC stripping tool

Pre-adjusted stripping tool for fast stripping of Industrial Ethernet FC cables

1) Please note country approvals under:

<http://www.siemens.com/wireless-approvals>

SIMATIC S7-1500 Advanced Controllers

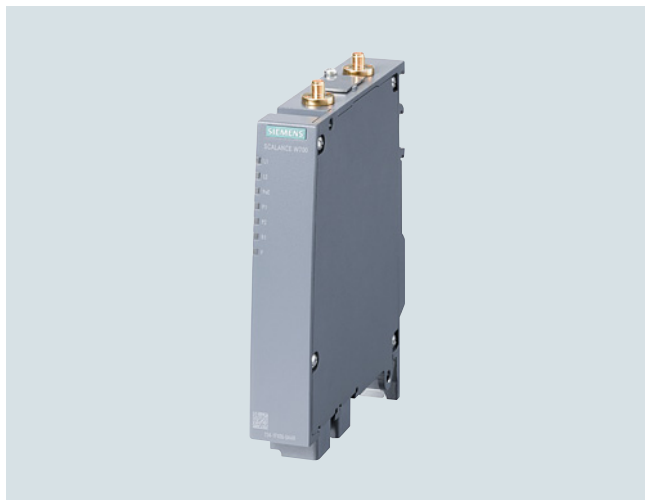
I/O modules

Communication

SCALANCE W734 RJ45 for the control cabinet

Overview

4



- Client modules in SIMATIC S7-1500 design are suitable for applications where the device is to be mounted in the control cabinet



ET 200MP station with SCALANCE W734 RJ45

Technical specifications

Article number	6GK5734-1FX00-0AA0 6GK5734-1FX00-0AB0 ¹⁾
Product type designation	SCALANCE W734-1 RJ45
Transmission rate	
Transfer rate	
• with WLAN maximum	300 Mbps
• for Industrial Ethernet	10, 100 Mbps
Transfer rate for Industrial Ethernet	
• minimum	10 Mbps
• maximum	100 Mbps
Interfaces	
Number of electrical connections	
• for network components or terminal equipment	2
• for power supply	1
• for redundant voltage supply	1
Type of electrical connection	
• for network components or terminal equipment	RJ45 socket
• for power supply	4-pole screw terminal, PoE
design of the removable storage	
• C-PLUG	Yes
• KEY-PLUG	Yes
Interfaces wireless	
Number of radio cards permanently installed	1
Transmission mode for multiple input multiple output (MIMO)	2x2
Number of spatial streams	2
Number of electrical connections for external antenna(s)	2
Type of electrical connection for external antenna(s)	R-SMA (socket)
Product feature external antenna can be mounted directly on device	Yes

Article number	6GK5734-1FX00-0AA0 6GK5734-1FX00-0AB0 ¹⁾
Product type designation	SCALANCE W734-1 RJ45
Supply voltage, current consumption, power loss	
Type of voltage of the supply voltage	DC
Supply voltage 1	
• from terminal block	19.2 V
Supply voltage 2	
• from terminal block	28.8 V
Supply voltage	
• from Power-over-Ethernet acc. to IEEE802.3at for type 1 and IEEE802.3af	48 V
Consumed current	
• at DC at 24 V typical	0.25 A
• with Power-over-Ethernet according to IEEE802.3at for type 1 and IEEE802.3af typical	0.125 A
Power loss [W]	
• at DC at 24 V typical	6 W
• with Power-over-Ethernet according to IEEE802.3at for type 1 and IEEE802.3af typical	6 W
Permitted ambient conditions	
Ambient temperature	
• during operation	-20 ... +60 °C
• during storage	-40 ... +85 °C
• during transport	-40 ... +85 °C
Relative humidity at 25 °C without condensation during operation maximum	95 %
Ambient condition for operation	When used under hazardous conditions (Zone 2), the SCALANCE W774-1 RJ45 or W734-1 RJ45 product must be installed in an enclosure. To comply with EN 50021, this enclosure must meet the requirements of at least IP 54 in compliance with EN 60529.
Protection class IP	IP30

¹⁾ Wireless approval in the USA

Technical specifications (continued)

Article number	6GK5734-1FX00-0AA0 6GK5734-1FX00-0AB0 ¹⁾
Product type designation	SCALANCE W734-1 RJ45
Design, dimensions and weight	
Width	26 mm
Height	156 mm
Depth	127 mm
Width of the enclosure without antenna	26 mm
Height of the enclosure without antenna	147 mm
Depth of the enclosure without antenna	127 mm
Net weight	0.52 kg
Mounting type	wall mounting only if flat mounted
• S7-300 rail mounting	Yes
• S7-1500 rail mounting	Yes
• 35 mm DIN rail mounting	Yes
• wall mounting	Yes
Wireless frequencies	
Operating frequency	
• for WLAN in 2.4 GHz frequency band	2.41 ... 2.48 GHz
• for WLAN in 5 GHz frequency band	4.9 ... 5.8 GHz
Product properties, functions, components general	
Product function Access Point Mode	No
Product function Client Mode	Yes
Product function	
• iPCF client	Yes; Only in combination with the 'KEY-PLUG W780 iFeatures' or 'KEY-PLUG W740 iFeatures'
• iPCF-MC client	Yes; Only in combination with 'KEY-PLUG W780 iFeatures' or 'KEY-PLUG W740 iFeatures'
Number of iPCF-capable radio modules	1
Product function iPRP	Yes; In combination with the 'KEY-PLUG W780 iFeatures' or 'KEY-PLUG W740 iFeatures' only
Product functions management, configuration	
Number of manageable IP addresses in client	8
Product function	
• CLI	Yes
• web-based management	Yes
• MIB support	Yes
• TRAPs via email	Yes
• Configuration with STEP 7	Yes
• configuration with STEP 7 in the TIA Portal	Yes
• WDS	No
Protocol is supported	
• Address Resolution Protocol (ARP)	Yes
• ICMP	Yes
• Telnet	Yes
• HTTP	Yes
• HTTPS	Yes
• TFTP	Yes
• DCP	Yes
• LLDP	No
Identification & maintenance function	
• I&M0 - device-specific information	Yes
• I&M1 - higher-level designation/location designation	Yes

Article number	6GK5734-1FX00-0AA0 6GK5734-1FX00-0AB0 ¹⁾
Product type designation	SCALANCE W734-1 RJ45
Product functions Diagnosis	
Product function	
• PROFINET IO diagnosis	Yes
• Link Check	No
• connection monitoring IP-Alive	No
• SysLog	Yes
Protocol is supported	
• SNMP v1	Yes
• SNMP v2	Yes
• SNMP v3	Yes
Product functions VLAN	
Product function	
• function VLAN with IWLAN	No
Product functions DHCP	
Product function	
• DHCP client	Yes
• in Client Mode DHCP server via LAN	Yes
• DHCP Option 82	Yes
Product functions Redundancy	
Protocol is supported	
• STP/RSTP	Yes
• MSTP	Yes
• RSTP	Yes
Product functions Security	
Product function	
• ACL - MAC-based	Yes
• Management security, ACL-IP based	Yes
• IEEE 802.1x (radius)	Yes
• NAT/NAPT	Yes
• access protection according to IEEE802.11i	Yes
• WPA/WPA2	Yes
• TKIP/AES	Yes
Protocol is supported	
• SSH	Yes
• RADIUS	Yes
Product functions Time	
Protocol is supported	
• NTP	Yes
• SNTP	Yes
• SIMATIC Time	Yes

¹⁾ Wireless approval in the USA

SIMATIC S7-1500 Advanced Controllers

I/O modules

Communication

SCALANCE W734 RJ45 for the control cabinet

Technical specifications (continued)

Article number	6GK5734-1FX00-0AA0 6GK5734-1FX00-0AB0 ¹⁾
Product type designation	SCALANCE W734-1 RJ45
Standards, specifications, approvals	
Standard	
• for FM	FM 3611: Class I, Division 2, Groups A,B,C,D, T4 / Class 1, Zone 2, Group IIC, T4
• for hazardous zone	EN 60079-15:2005, EN 60079-0:2006, II 3 G Ex nA II T4 KEMA 07 ATEX 0145X
• for safety from CSA and UL	UL 60950-1 CSA C22.2 No. 60950-1
Certificate of suitability	
• EC declaration of conformity	Yes
• CE marking	Yes
• C-Tick	Yes
• E1 approval	No
• Railway application in accordance with EN 50155	No
• NEMA TS2	No
• IEC 61375	No
• IEC 61850-3	No
• NEMA4X	No
• Power-over-Ethernet according IEEE802.3at for type 1 and IEEE802.3af	Yes
• Power-over-Ethernet according to IEEE802.3at for type 2	Yes
Standard for wireless communication	
• IEEE 802.11a	Yes
• IEEE 802.11b	Yes
• IEEE 802.11e	Yes
• IEEE 802.11g	Yes
• IEEE 802.11h	Yes
• IEEE 802.11i	Yes
• IEEE 802.11n	Yes
Wireless approval	You will find the current list of countries at: www.siemens.com/wireless-approvals
Marine classification association	
• American Bureau of Shipping Europe Ltd. (ABS)	Yes
• Bureau Veritas (BV)	Yes
• DNV GL	Yes
• Lloyds Register of Shipping (LRS)	Yes
• Nippon Kaiji Kyokai (NK)	Yes
• Polski Rejestr Statkow (PRS)	Yes
• Royal Institution of Naval Architects (RINA)	Yes
Accessories	
accessories	24 V DC screw terminal included in scope of delivery

¹⁾ Wireless approval in the USA

Ordering data

Article No.

Client Modules SCALANCE W734

IWLAN Ethernet client modules with built-in wireless interface; wireless networks IEEE 802.11a/b/g/h/n at 2.4/5 GHz up to 300 Mbps; WPA2/AES; integrated 2-port switch; Power over Ethernet (PoE), IP30 degree of protection (-20°C to +60°C); scope of supply: Mounting hardware; 4-pin screw terminal for 24 V DC; manual on CD-ROM; English/German

SCALANCE W734-1 RJ45

For managing the wireless connection of up to eight linked devices with Industrial Ethernet connection;

- Country approvals for operation outside the USA
- Country approvals for operation within the USA ¹⁾

6GK5734-1FX00-0AA0

6GK5734-1FX00-0AB0

Accessories

KEY-PLUG W740 iFeatures

Removable data storage medium for enabling additional iFeatures, for simple device replacement if a fault occurs and for storage of configuration data; can be used in SCALANCE W client modules with plug slot

6GK5907-4PA00

C-PLUG

Removable data storage medium for simple replacement of devices if a fault occurs; for storing configuration data; can be used in SIMATIC NET products with PLUG compartment

6GK1900-0AB10

IE FC RJ45 plug 180 2 x 2

RJ45 connector for Industrial Ethernet with a rugged metal enclosure and integrated insulation-displacement contacts for connecting Industrial Ethernet FC installation cables; with a 180° cable outlet; for network components and CPUs/CPUs with Industrial Ethernet interface

- 1 pack = 1 unit
- 1 pack = 10 units
- 1 pack = 50 units

6GK1901-1BB10-2AA0

6GK1901-1BB10-2AB0

6GK1901-1BB10-2AE0

IE FC Standard Cable GP 2 x 2

4-wire, shielded TP installation cable for connection to IE FC RJ45 outlet plug / IE FC RJ45 plug; PROFINET-compliant; with UL approval; sold by the meter; max. delivery unit 1 000 m, minimum order quantity 20 m

6XV1840-2AH10

IE FC stripping tool

Pre-adjusted stripping tool for fast stripping of Industrial Ethernet FC cables

6GK1901-1GA00

¹⁾ Please note country approvals under: <http://www.siemens.com/wireless-approvals>

Overview



- Modules for serial communication connections, scaled according to interface types, protocols, and performance
- 4 versions with different physical transmission characteristics:
 - RS 232C, max. 19.2 kbps
 - RS 232C, max. 115.2 kbps
 - RS 422/RS 485, max. 19.2 kbps
 - RS 422/RS 485, max. 115.2 kbps
- Protocols supported
 - Freepoint: User-parameterizable telegram format for universal communication
 - 3964(R) for improved transmission reliability
 - Modbus RTU Master
 - Modbus RTU Slave
 - USS, implemented through instructions

Note:

SIPLUS extreme products are based on SIMATIC standard products. The contents listed here were taken from the respective standard products. SIPLUS extreme specific information was added.

Technical specifications

Article number	6AG1540-1AD00-7AA0	6AG1541-1AD00-7AB0	6AG1540-1AB00-7AA0	6AG1541-1AB00-7AB0
Based on	6ES7540-1AD00-0AA0 SIPLUS S7-1500 CM PtP RS232 BA	6ES7541-1AD00-0AB0 SIPLUS S7-1500 CM PtP RS232 HF	6ES7540-1AB00-0AA0 SIPLUS S7-1500 CM PtP RS 422/485 BA	6ES7541-1AB00-0AB0 SIPLUS S7-1500 CM PtP RS 422/485 HF
Ambient conditions				
Ambient temperature during operation				
• horizontal installation, min.	-40 °C; = Tmin (incl. condensation/frost); start-up @ -25 °C	-40 °C; = Tmin (incl. condensation/frost); start-up @ -25 °C	-40 °C; = Tmin (incl. condensation/frost); start-up @ -25 °C	-40 °C; = Tmin (incl. condensation/frost); start-up @ -25 °C
• horizontal installation, max.	70 °C	70 °C	70 °C	70 °C
• vertical installation, min.	-40 °C; = Tmin; Startup @ -25 °C	-40 °C; = Tmin; Startup @ -25 °C	-40 °C; = Tmin; Startup @ -25 °C	-40 °C; = Tmin; Startup @ -25 °C
• vertical installation, max.	40 °C	40 °C	40 °C	40 °C
Altitude during operation relating to sea level				
• Installation altitude above sea level, max.	5 000 m	5 000 m	5 000 m	5 000 m
• Ambient air temperature-barometric pressure-altitude	Tmin ... Tmax at 1 140 hPa ... 795 hPa (-1 000 m ... +2 000 m) // Tmin ... (Tmax - 10 K) at 795 hPa ... 658 hPa (+2 000 m ... +3 500 m) // Tmin ... (Tmax -20 K) at 658 hPa ... 540 hPa (+3 500 m ... +5 000 m)	Tmin ... Tmax at 1 140 hPa ... 795 hPa (-1 000 m ... +2 000 m) // Tmin ... (Tmax - 10 K) at 795 hPa ... 658 hPa (+2 000 m ... +3 500 m) // Tmin ... (Tmax -20 K) at 658 hPa ... 540 hPa (+3 500 m ... +5 000 m)	Tmin ... Tmax at 1 140 hPa ... 795 hPa (-1 000 m ... +2 000 m) // Tmin ... (Tmax - 10 K) at 795 hPa ... 658 hPa (+2 000 m ... +3 500 m) // Tmin ... (Tmax -20 K) at 658 hPa ... 540 hPa (+3 500 m ... +5 000 m)	Tmin ... Tmax at 1 140 hPa ... 795 hPa (-1 000 m ... +2 000 m) // Tmin ... (Tmax - 10 K) at 795 hPa ... 658 hPa (+2 000 m ... +3 500 m) // Tmin ... (Tmax -20 K) at 658 hPa ... 540 hPa (+3 500 m ... +5 000 m)
Relative humidity				
• With condensation, tested in accordance with IEC 60068-2-38, max.	100 %; RH incl. condensation/frost (no commissioning under condensation conditions)	100 %; RH incl. condensation/frost (no commissioning under condensation conditions)	100 %; RH incl. condensation/frost (no commissioning under condensation conditions)	100 %; RH incl. condensation/frost (no commissioning under condensation conditions)
Resistance				
Coolants and lubricants				
- Resistant to commercially available coolants and lubricants	Yes; Incl. diesel and oil droplets in the air	Yes; Incl. diesel and oil droplets in the air	Yes; Incl. diesel and oil droplets in the air	Yes; Incl. diesel and oil droplets in the air

SIMATIC S7-1500 Advanced Controllers

I/O modules

SIPLUS communication

SIPLUS CM PtP

Technical specifications (continued)

Article number	6AG1540-1AD00-7AA0	6AG1541-1AD00-7AB0	6AG1540-1AB00-7AA0	6AG1541-1AB00-7AB0
Based on	6ES7540-1AD00-0AA0 SIPLUS S7-1500 CM PtP RS232 BA	6ES7541-1AD00-0AB0 SIPLUS S7-1500 CM PtP RS232 HF	6ES7540-1AB00-0AA0 SIPLUS S7-1500 CM PtP RS 422/485 BA	6ES7541-1AB00-0AB0 SIPLUS S7-1500 CM PtP RS 422/485 HF
Use in stationary industrial systems				
- to biologically active substances according to EN 60721-3-3	Yes; Class 3B2 mold, fungus and dry rot spores (with the exception of fauna); Class 3B3 on request	Yes; Class 3B2 mold, fungus and dry rot spores (with the exception of fauna); Class 3B3 on request	Yes; Class 3B2 mold, fungus and dry rot spores (with the exception of fauna); Class 3B3 on request	Yes; Class 3B2 mold, fungus and dry rot spores (with the exception of fauna); Class 3B3 on request
- to chemically active substances according to EN 60721-3-3	Yes; Class 3C4 (RH < 75 %) incl. salt spray acc. to EN 60068-2-52 (severity degree 3); *	Yes; Class 3C4 (RH < 75 %) incl. salt spray acc. to EN 60068-2-52 (severity degree 3); *	Yes; Class 3C4 (RH < 75 %) incl. salt spray acc. to EN 60068-2-52 (severity degree 3); *	Yes; Class 3C4 (RH < 75 %) incl. salt spray acc. to EN 60068-2-52 (severity degree 3); *
- to mechanically active substances according to EN 60721-3-3	Yes; Class 3S4 incl. sand, dust; *	Yes; Class 3S4 incl. sand, dust; *	Yes; Class 3S4 incl. sand, dust; *	Yes; Class 3S4 incl. sand, dust; *
Use on ships/at sea				
- to biologically active substances according to EN 60721-3-6	Yes; Class 6B2 mold and fungal spores (excluding fauna); Class 6B3 on request	Yes; Class 6B2 mold and fungal spores (excluding fauna); Class 6B3 on request	Yes; Class 6B2 mold and fungal spores (excluding fauna); Class 6B3 on request	Yes; Class 6B2 mold and fungal spores (excluding fauna); Class 6B3 on request
- to chemically active substances according to EN 60721-3-6	Yes; Class 6C3 (RH < 75 %) incl. salt spray acc. to EN 60068-2-52 (severity degree 3); *	Yes; Class 6C3 (RH < 75 %) incl. salt spray acc. to EN 60068-2-52 (severity degree 3); *	Yes; Class 6C3 (RH < 75 %) incl. salt spray acc. to EN 60068-2-52 (severity degree 3); *	Yes; Class 6C3 (RH < 75 %) incl. salt spray acc. to EN 60068-2-52 (severity degree 3); *
- to mechanically active substances according to EN 60721-3-6	Yes; Class 6S3 incl. sand, dust; *	Yes; Class 6S3 incl. sand, dust; *	Yes; Class 6S3 incl. sand, dust; *	Yes; Class 6S3 incl. sand, dust; *
Remark				
- Note regarding classification of environmental conditions acc. to EN 60721	* The supplied plug covers must remain in place over the unused interfaces during operation!	* The supplied plug covers must remain in place over the unused interfaces during operation!	* The supplied plug covers must remain in place over the unused interfaces during operation!	* The supplied plug covers must remain in place over the unused interfaces during operation!
Conformal coating				
• Coatings for printed circuit board assemblies acc. to EN 61086	Yes; Class 2 for high availability	Yes; Class 2 for high availability	Yes; Class 2 for high availability	Yes; Class 2 for high availability
• Protection against fouling acc. to EN 60664-3	Yes; Type 1 protection	Yes; Type 1 protection	Yes; Type 1 protection	Yes; Type 1 protection
• Military testing according to MIL-I-46058C, Amendment 7	Yes; Discoloration of coating possible during service life	Yes; Discoloration of coating possible during service life	Yes; Discoloration of coating possible during service life	Yes; Discoloration of coating possible during service life
• Qualification and Performance of Electrical Insulating Compound for Printed Board Assemblies according to IPC-CC-830A	Yes; Conformal coating, Class A	Yes; Conformal coating, Class A	Yes; Conformal coating, Class A	Yes; Conformal coating, Class A

Ordering data

Article No.	Article No.
SIPLUS CM PtP RS 232 BA communication module (Extended temperature range and exposure to media) Basic communication module with 1 interface RS 232, Freeport, 3964(R) and USS protocols, 9-pin sub D connector, max. 19.2 kbps	SIPLUS CM PtP RS 422/485 BA communication module (Extended temperature range and exposure to media) Basic communication module with 1 interface RS 422/485, Freeport, 3964(R) and USS protocols, 15-pin sub D socket, max. 19.2 kbps
SIPLUS CM PtP RS 232 HF communication module (Extended temperature range and exposure to media) High Feature communication module with 1 interface RS 232, Freeport, 3964(R), USS and Modbus RTU protocols, 9-pin sub D connector, max. 115.2 kbps	SIPLUS CM PtP RS 422/485 HF communication module (Extended temperature range and exposure to media) High Feature communication module with 1 interface RS 422/485, Freeport, 3964(R), USS and Modbus RTU protocols, 15-pin sub D socket, max. 115.2 kbps
	Accessories See SIMATIC S7-1500, CM PtP communication module, page 4/144

Overview



DP-M	DP-S	FMS	PG/OP	S7/S5	
●	●		●	●	

The CM 1542-5 communication module expands the SIMATIC S7-1500 controller to include a PROFIBUS connection for communication with lower-level PROFIBUS devices in bandwidths from 9.6 kbps to 12 Mbps. The module can also be used to implement separate PROFIBUS lines, in other words, to control a number of different field devices via a number of PROFIBUS segments. The CM 1542-5 handles all communication tasks, thus reducing the CPU load.

Apart from classic PROFIBUS communication, the CM 1542-5 is also suitable for S7 communication. This makes it possible to establish communication between the S7-1500 controller and other devices, for example those from the SIMATIC S7-300/400 range.

- PROFIBUS DP master or DP slave with electrical interface for connecting a SIMATIC S7-1500 to PROFIBUS at up to 12 Mbps (including 45.45 kbps)
- Communications services:
 - PROFIBUS DP
 - PG/OP communication
 - S7 communication
- Time synchronization
- Simple programming and configuration over PROFIBUS
- Cross-network PG communication using S7 routing
- Module replacement without a PG
- Data record routing (PROFIBUS DP)
- Adding or modifying distributed I/O during operation

Note:

SIPLUS extreme products are based on SIMATIC standard products. The contents listed here were taken from the respective standard products. SIPLUS extreme specific information was added.

Ordering data

Article No.

SIPLUS CM 1542-5 communication module

(Extended temperature range and medial exposure)

Communication module for electrical connection of SIMATIC S7-1500 to PROFIBUS as a DP master or DP slave

6AG1542-5DX00-7XE0**Accessories**

See SIMATIC S7-1500, CM 1542-5 communication module, page 4/148

SIMATIC S7-1500 Advanced Controllers

I/O modules

SIPLUS communication

SIPLUS NET CP 1543-1**Overview**

ISO	TCP/UDP	PN	MRP	IT	IP-R	PG/OP	S7/S5
●	●			●	●	●	●

The SIMATIC CP 1543-1 communications processor securely connects the new SIMATIC S7-1500 controller to Industrial Ethernet networks. By combining a variety of security features such as an SPI (Stateful Packet Inspection) firewall, VPN and data encryption protocols such as FTPS and SNMPv3, the communications processor protects individual S7-1500 stations or even entire automation cells against unauthorized access.

The CP can also be used for linking the S7-1500 station into an IPv6-based network. All functions are configured by means of STEP 7 Professional V12 (TIA Portal) or higher.

The CP 1543-1 supports the following communications services:

- PG/OP communication
- S7 communication
- Open communication (SEND/RECEIVE, FETCH/WRITE)
- IT communication
 - FTP functions (File Transfer Protocol FTP/FTPS) for file management and access to data blocks in the CPU (client and server function)
 - Sending e-mails via SMTP or ESMTP with "SMTP-Auth" for authentication on an e-mail server (also with IPv6)
- Security functions
 - Stateful Packet Inspection (layers 3 and 4) firewall
 - Secure communication via VPN (IPsec)
 - Secure access to the Web server of the CPU via the HTTPS protocol
 - Secure file transfer using FTPS
 - Secure transfer of the time of day (NTP)
 - SNMPv3 for tap-proof transfer of network analysis information
- Integration of an S7-1500 into IPv6-based networks; An IPv6-compliant IP address can be used for the following communication services:
 - FETCH/WRITE access (CP as server)
 - FTP server mode
 - FTP client mode with addressing by program block
 - E-mail transfer with addressing by program block

Note:

SIPLUS extreme products are based on SIMATIC standard products. The contents listed here were taken from the respective standard products. SIPLUS extreme specific information was added.

Ordering data**Article No.****SIPLUS NET CP 1543-1 communications processor****6AG1543-1AX00-2XE0**

(Extended temperature range and exposure to media)

For connection of SIMATIC S7-1500 to Industrial Ethernet via TCP/IP, ISO and UDP and Security functions; 1 x RJ45 interface with 10/100/1000 Mbps; electronic manual on DVD

Accessories

See SIMATIC S7-1500, SIMATIC CP 1543-1 communications processor, page 4/154

Overview



- Uniform, 40-pin front connector, suitable for SIMATIC S7-1500 I/O modules
- Versions for 25 mm wide or 35 mm wide modules
- With screw-type or push-in terminals
- Connectable core cross-sections: 0.25 mm² to 1.5 mm² (AWG 24 to 16)
- Front connector for 35 mm modules to be ordered separately; front connector for 25 mm modules included in scope of supply of modules

Design

- 40 terminals, arranged in two rows, numbered consecutively from 1 to 40
- Direct assignment of terminal to LED and labeling simplifies wiring, commissioning, and troubleshooting
- Holders for four potential bridges for simple and flexible creation of potential groups; four units are supplied with the front connector (optionally available as spare parts in packs of 20)
- Integrated shielding concept for analog modules and technology modules; allows space-saving installation without tools and ensures high ruggedness and EMC stability; components supplied with analog modules
- Cable ties for mechanical fixing of the cable bundle and for strain relief; 1 unit supplied with front connector

Ordering data

Article No.

Front connectors

For 35 mm modules; including four potential bridges, cable ties and individual labeling strips, 40-pin

- Screw terminals
- Push-in

6ES7592-1AM00-0XB0**6ES7592-1BM00-0XB0**

For 25 mm modules; including cable ties and individual labeling strips; push-in, 40-pin; spare part

6ES7592-1BM00-0XA0**Potential bridges for front connectors**

For 35 mm modules; 20 pieces; spare part

6ES7592-3AA00-0AA0

SIMATIC S7-1500 Advanced Controllers

I/O modules

Connection system

System cabling for SIMATIC S7-1500 and ET 200MP

Overview



With two cabling systems, SIMATIC TOP connect ensures efficient wiring of the input and output module of the SIMATIC S7-1500 (35 mm unit): Fully modular connection for fast and clearly arranged connecting to sensors and actuators in the field, and flexible connection for simple wiring inside the control cabinet.

With the TIA Selection Tool, you can select suitable system cabling for the individual I/O modules with a simple mouse click. Suitable components for the respective I/O module are always offered. These can be transferred to the order list and then ordered in the Industry Mall.

Further information can be found on the Internet at

<http://www.siemens.com/tia-selection-tool>

Design

Two cabling variants are available for a wide range of control cabinet concepts:

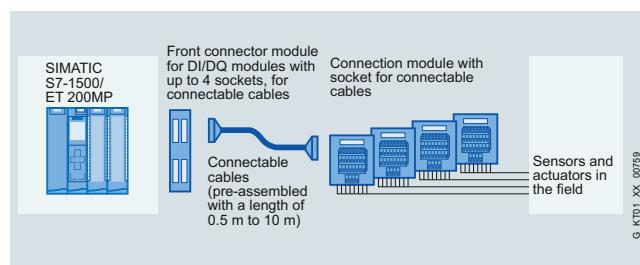
Fully modular connection

The system consists of:

- Front connector module
- Connecting cable
- Terminal modules in the following versions: Basic module, signal module and function module

Connection errors are thus practically excluded and installation overhead is significantly reduced.

Systematic connection of the SIMATIC system. The assembly overhead for the connecting cables is drastically reduced thanks to the use of pre-assembled or easily assembled cables sold by the meter.



SIMATIC TOP connect for S7-1500/ ET200 MP, fully modular connection

Flexible connection

Flexible connection with front connectors is available with 20 (Pin1 – 20) or 40 wired single cores.

These are available in lengths from 2.5 m to 10.0 m.

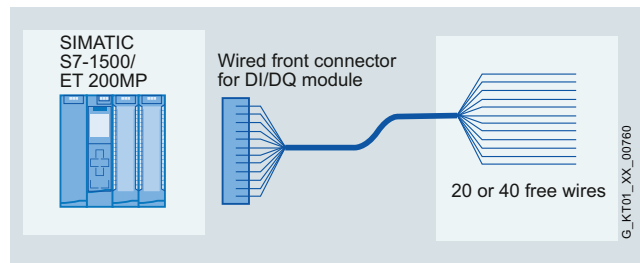
The single cores are available in different versions:

- Wire type H05V-K is used for industrial applications
- The UL/CSA-approved core is available for export to North America
- The halogen-free version is used where low smoke gas density in the event of fire is required, e.g. in building automation

The blue wires are numbered sequentially and can be routed direct to each element in the control cabinet. The numbering of the single cores corresponds to the coding of the front connector contacts.

In comparison to conventional single wiring, there is a cost saving of 50% for assembly, since the single cores that have already been checked on the connector are fixed.

Thus no complex pre-assembly of up to two times 20 single cores per module is necessary.



SIMATIC TOP connect for S7-1500/ ET200 MP, flexible connection

Overview



The fully modular connection for connecting to the digital I/O modules of the SIMATIC S7-1500 or ET 200MP (35 mm design) consists of modified front connectors, called front connector modules, pre-assembled connecting cables of various lengths, and terminal modules. Suitable components can be selected for the application in question and joined by means of simple plug-in connections. The terminal modules are used instead of conventional terminal blocks and act as the interface to the sensors and actuators.

Benefits

- Easy plugging in of front connector module, connecting cable and terminal module
- Fast and low-cost wiring
- In the case of digital signals, the supply voltage can be connected to the front connector module or the terminal module
- Reduction in wiring errors, clear control cabinet wiring
- Byte-by-byte, or four-byte distribution of the signals in the case of digital signals
- Each component can be replaced individually
- Every cable length can be configured without cutting losses, or pre-assembled cables can be used

Design

Front connector module

Modified front connectors, called front connector modules, are available for connecting to the I/O modules (35 mm design). These are plugged into the I/O module to be wired instead of the front connector. The front connector modules are available in many different versions for digital I/O modules, analog I/O modules and for the 24 V, 2-ampère module. The connecting cables are plugged into these front connector modules.

Connecting cable

The connecting cable is available in two different versions.

As a pre-assembled 16-pin or 50-pin round cable (shielded or unshielded) up to a length of 10 m, or as a 16-pin round-sheath ribbon cable (with or without shield), which can be easily assembled by the user; or as 2 x 16-pin round-sheath ribbon cables (without shield).

When assembled, there are one or two insulation displacement connectors (female ribbon connectors) at both ends of the cable.

The round-sheath ribbon cable is assembled by the user with the aid of pliers (can be ordered separately). The cable transmits 8 or 2 x 8 channels over a distance of up to 30 m.

The connecting cable connects the front connector module with the terminal module.

Connection module

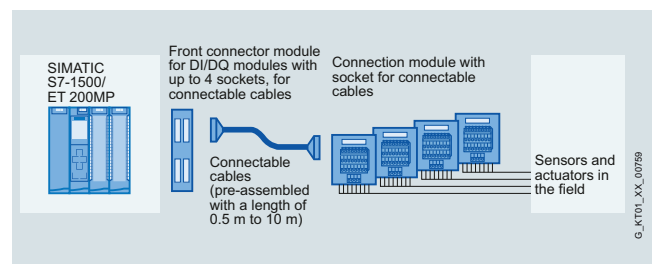
The system has digital and analog terminal modules for connecting the I/O signals. These are snapped onto the DIN rail. The terminal modules with basic or signal functionality are available in 1-byte or 4-byte versions.

Terminal modules are available for two different connection methods: with push-in or screw-type terminals. The potential can be fed in at the terminal module or at the front connector module.

If other voltage or power levels are required in the field, the terminal module for TPRo or TPOo output signals is used. For the TPRo terminal module, relays are used for the implementation. For the TPOo terminal module, optocouplers are used for the implementation. This converts the 24 V DC output signal simply and reliably to another voltage or power level. If 230 V AC or 110 V AC input signals have to be transmitted to the controller in the field, a connection module with relay TPRi is available that simply converts the 230/110 V AC signal to 24 V DC. This means that there is always the same voltage level on the module side.

Use with optocouplers for the TPRo relay modules

If higher switching frequencies of the relay terminal module are required for the output signals, the relay can simply be replaced with an optocoupler (note technical specifications) in order to increase the switching frequency here.



SIMATIC TOP connect for S7-1500/ ET200 MP, fully modular connection

SIMATIC S7-1500 Advanced Controllers

I/O modules

Connection system

System cabling for SIMATIC S7-1500 and ET 200MP > Fully modular connection

Technical specifications Front connector module

Rated operating voltage	24 V DC
Max. permissible operating voltage	60 V DC
Max. permissible continuous current • per connector pin	1 A
Max. permissible total current	2 A/byte
Permissible ambient temperature	0 to +60 °C
Test voltage	0.5 kV, 50 Hz, 60 sec.
Clearance and creepage distances	IEC 664 (1980), IEC 664 A (1981), in accordance with DIN VDE 0110 (01.89), overvoltage class II, pollution degree 2

Wiring rules for the front connector modules

SIMATIC TOP connect front connector module, connection for potential infeed

	Push-in	Screw terminals
Modules up to 4 connections		
Connectable cable cross-sections		
• Solid conductors	No	
• Flexible cables with/without wire end ferrule	0.25 to 1.5 mm ²	
Number of cables per connection	1 or a combination of 2 wires up to 1.5 mm ² (total) in a common wire end ferrule	
Max. diameter of the cable insulation	3.1 mm	
Stripped length of the cables		
• Without insulating collar	6 mm	
• With insulating collar	-	
Wire end ferrules according to DIN 46228		
• Without insulating collar	Form A; 5 to 7 mm long	
• with insulating collar 0.25 to 1.0 mm ²	-	
• with insulating collar 1.5 mm ²	-	
Blade width of the screwdriver	3.5 mm (cylindrical design)	
Tightening torque for connecting the cables	-	0.4 Nm to 0.7 Nm

Technical specifications Connecting cable

Technical specifications of connecting cable from SIMATIC S7 to connection module

Operating voltage	60 V DC
Continuous current per signal conductor	1 A
Max. total current	4 A/byte
Operating temperature	0 to +60 °C
Outer diameter of pre-assembled round cable in mm unshielded/shielded (16-pin)	Approx. 6.5/7.0

Ordering data

Article No.

Front connector modules

Front connector module for digital modules for the connection of 16-pin connecting cables

- Power supply via
- Push-in
 - Screw terminals

6ES7921-5AH20-0AA0
6ES7921-5AB20-0AA0

Front connector module for digital modules for the connection of 50-pin connecting cables

- Power supply via
- Push-in
 - Screw terminals

6ES7921-5CH20-0AA0
6ES7921-5CB20-0AA0

Front connector module for 2 A digital modules for the connection of 16-pin connecting cables

- Power supply via
- Push-in
 - Screw terminals

6ES7921-5AJ00-0AA0
6ES7921-5AD00-0AA0

Front connector module for analog modules for the connection of 16-pin connecting cables

6ES7921-5AK20-0AA0

Front connector module for analog modules for the connection of 50-pin connecting cables

6ES7921-5CK20-0AA0

- 1) The terminal assignment of these front connector modules is unique and the dimensional drawings are shown in the equipment manual of SIMATIC TOP connect for S7-1500 and ET200MP. The equipment manual is available as a download from Customer Support with the following ID: 95924607.

Ordering data

Article No.

Article No.

Connecting cables

Connecting cables
for SIMATIC S7-1500

Pre-assembled round cable

16-pin, 0.14 mm²

Unshielded

- 0.5 m
- 1.0 m
- 1.5 m
- 2.0 m
- 2.5 m
- 3.0 m
- 4.0 m
- 5.0 m
- 6.5 m
- 8.0 m
- 10.0 m

Shielded

- 1.0 m
- 2.0 m
- 2.5 m
- 3.0 m
- 4.0 m
- 5.0 m
- 6.5 m
- 8.0 m
- 10.0 m

Version 4 x 16 to 1 x 50-pin,
0.14 mm²

Unshielded

- 0.5 m
- 1.0 m
- 1.5 m
- 2.0 m
- 2.5 m
- 3.0 m
- 4.0 m
- 5.0 m
- 6.5 m
- 8.0 m
- 10.0 m

6ES7923-0BA50-0CB0
6ES7923-0BB00-0CB0
6ES7923-0BB50-0CB0
6ES7923-0BC00-0CB0
6ES7923-0BC50-0CB0
6ES7923-0BD00-0CB0
6ES7923-0BE00-0CB0
6ES7923-0BF00-0CB0
6ES7923-0BG50-0CB0
6ES7923-0BJ00-0CB0
6ES7923-0CB00-0CB0

6ES7923-0BB00-0DB0
6ES7923-0BC00-0DB0
6ES7923-0BC50-0DB0
6ES7923-0BD00-0DB0
6ES7923-0BE00-0DB0
6ES7923-0BF00-0DB0
6ES7923-0BG50-0DB0
6ES7923-0BJ00-0DB0
6ES7923-0CB00-0DB0

6ES7923-5BA50-0EB0
6ES7923-5BB00-0EB0
6ES7923-5BB50-0EB0
6ES7923-5BC00-0EB0
6ES7923-5BC50-0EB0
6ES7923-5BD00-0EB0
6ES7923-5BE00-0EB0
6ES7923-5BF00-0EB0
6ES7923-5BG50-0EB0
6ES7923-5BJ00-0EB0
6ES7923-5CB00-0EB0

Connecting cables
for S7-1500

Pre-assembled round cable

50-pin, 0.14 mm²

Unshielded

- 0.5 m
- 1.0 m
- 1.5 m
- 2.0 m
- 2.5 m
- 3.0 m
- 4.0 m
- 5.0 m
- 6.5 m
- 8.0 m
- 10.0 m

Shielded

- 1.0 m
- 2.0 m
- 2.5 m
- 3.0 m
- 4.0 m
- 5.0 m
- 6.5 m
- 8.0 m
- 10.0 m

6ES7923-5BA50-0CB0
6ES7923-5BB00-0CB0
6ES7923-5BB50-0CB0
6ES7923-5BC00-0CB0
6ES7923-5BC50-0CB0
6ES7923-5BD00-0CB0
6ES7923-5BE00-0CB0
6ES7923-5BF00-0CB0
6ES7923-5BG50-0CB0
6ES7923-5BJ00-0CB0
6ES7923-5CB00-0CB0

6ES7923-5BB00-0DB0
6ES7923-5BC00-0DB0
6ES7923-5BC50-0DB0
6ES7923-5BD00-0DB0
6ES7923-5BE00-0DB0
6ES7923-5BF00-0DB0
6ES7923-5BG50-0DB0
6ES7923-5BJ00-0DB0
6ES7923-5CB00-0DB0

SIMATIC S7-1500 Advanced Controllers

I/O modules

Connection system

System cabling for SIMATIC S7-1500 and ET 200MP > Fully modular connection

Ordering data

Article No.

Article No.

Terminal modules

Terminal module TP1

For 1-wire connection,
for 16-pin connecting cables

- Push-in terminals without LEDs
- Screw-type terminals without LEDs
- Push-in terminals with LEDs
- Screw-type terminals with LEDs

6ES7924-0AA20-0AC0
6ES7924-0AA20-0AA0

6ES7924-0AA20-0BC0
6ES7924-0AA20-0BA0

For 1-wire connection,
for 50-pin connecting cables

- Push-in terminals without LEDs
- Screw-type terminals without LEDs
- Push-in terminals with LEDs
- Screw-type terminals with LEDs

6ES7924-2AA20-0AC0
6ES7924-2AA20-0AA0

6ES7924-2AA20-0BC0
6ES7924-2AA20-0BA0

Terminal module TP3

For 3-wire connection,
for 16-pin connecting cables

- Push-in terminals without LEDs
- Screw-type terminals without LEDs
- Push-in terminals with LEDs
- Screw-type terminals with LEDs
- Push-in terminals with LEDs and one isolating terminal per channel
- Screw-type terminals with LEDs and one isolating terminal per channel
- Push-in terminals with LEDs and one fuse per channel
- Screw-type terminals with LEDs and one fuse per channel

6ES7924-0CA20-0AC0
6ES7924-0CA20-0AA0

6ES7924-0CA20-0BC0
6ES7924-0CA20-0BA0
6ES7924-0CH20-0BC0

6ES7924-0CH20-0BA0

6ES7924-0CL20-0BC0

6ES7924-0CL20-0BA0

For 3-wire connection,
for 50-pin connecting cables

- Push-in terminals without LEDs
- Screw-type terminals without LEDs
- Push-in terminals with LEDs
- Screw-type terminals with LEDs

6ES7924-2CA20-0AC0
6ES7924-2CA20-0AA0

6ES7924-2CA20-0BC0
6ES7924-2CA20-0BA0

Terminal module TPRo

Relay module for 8 outputs,
relay as normally open contact

- Push-in terminals with LEDs
- Screw-type terminals with LEDs

6ES7924-0BD20-0BC0
6ES7924-0BD20-0BA0

Terminal module TPRI

Relay module for 8 outputs
(110 V AC), relay as normally open contact

- Push-in terminals with LEDs
- Screw-type terminals with LEDs

6ES7924-0BG20-0BC0
6ES7924-0BG20-0BA0

Terminal module TPRI

Relay module for 8 outputs
(230 V AC), relay as normally open contact

- Push-in terminals with LEDs
- Screw-type terminals with LEDs

6ES7924-0BE20-0BC0
6ES7924-0BE20-0BA0

Terminal module TPOo

Optocoupler module for 8 outputs
(max. 24 V DC/4 A)

- Push-in terminals with LEDs
- Screw-type terminals with LEDs

6ES7924-0BF20-0BC0
6ES7924-0BF20-0BA0

Terminal module for digital output modules 2 A

Terminal module TP2

- Push-in terminals without LEDs
- Screw-type terminals without LEDs

6ES7924-0BB20-0AC0
6ES7924-0BB20-0AA0

Terminal module for analog modules

Terminal module TPA, 16-pin

- Push-in terminals without LEDs
- Screw-type terminals without LEDs

6ES7924-0CC20-0AC0
6ES7924-0CC20-0AA0

Terminal module TPA, 50-pin

- Push-in terminals without LEDs
- Screw-type terminals without LEDs

6ES7924-2CC20-0AC0
6ES7924-2CC20-0AA0

Accessories

ID labels for terminal modules in S7-1500 design

ID labels, insertable
P. unit = 340 units

3RT1900-1SB20

Shield plate for analog terminal module

P. unit = 4 units (for connection of
15-pin connecting cable)

6ES7928-1AA20-4AA0

P. unit = 4 units (for connection of
15-pin connecting cable)

6ES7928-1BA20-4AA0

Shield connection clamp

For shield plate at SIMATIC end,
P. unit = 10 units

6ES7590-5BA00-0AA0

For shield plate at field end,
2 x 2 ... 6 mm

6ES7390-5AB00-0AA0

For shield plate at field end,
3 ... 8 mm

6ES7390-5BA00-0AA0

For shield plate at field end,
4 ... 13 mm

6ES7390-5CA00-0AA0

4

Overview



Can be used for SIMATIC S7-1500 and ET 200MP digital modules (24 V DC, 35 mm design)

The front connectors with single cores replace the SIMATIC standard connectors

- 6ES7592-1AM00-0XB0 and 6ES7592-1BM00-0XB0

Technical specifications

Front connector with single cores for 16 channels (pins 1-20)	
Rated operating voltage	24 V DC
Permissible continuous current with simultaneous load of all cores, max.	1.5 A
Permissible ambient temperature	0 to 60 °C
Core type	H05V-K, UL 1007/1569; CSA TR64, or halogen-free
Number of single cores	20
Core cross-section	0.5 mm ² ; Cu
Bundle diameter in mm	approx. 15
Wire color	Blue, RAL 5010
Designation of cores	Numbered from 1 to 20 (front connector contact = core number)
Assembly	Screw contacts
Front connector with single cores for 32 channels (pins 1-40)	
Rated operating voltage	24 V DC
Permissible continuous current with simultaneous load of all cores, max.	1.5 A
Permissible ambient temperature	0 to 60 °C
Core type	H05V-K, UL 1007/1569; CSA TR64, or halogen-free
Number of single cores	40
Core cross-section	0.5 mm ² ; Cu
Bundle diameter in mm	approx. 17
Wire color	Blue, RAL 5010
Designation of cores	Numbered from 1 to 40 (front connector contact = core number)
Assembly	Screw contacts

Ordering data

Article No.

Front connector with single cores for 32 channels (pins 1-40)	
Core type H05V-K (0.5 mm² with screw connection)	
• 2.5 m	6ES7922-5BC50-0AC0
• 3.2 m	6ES7922-5BD20-0AC0
• 5.0 m	6ES7922-5BF00-0AC0
• 6.5 m	6ES7922-5BG50-0AC0
• 8.0 m	6ES7922-5BJ00-0AC0
• 10.0 m	6ES7922-5CB00-0AC0
Core type H05Z-K, halogen-free (0.5 mm² with screw connection)	
• 2.5 m	6ES7922-5BC50-0HC0
• 3.2 m	6ES7922-5BD20-0HC0
• 5.0 m	6ES7922-5BF00-0HC0
• 6.5 m	6ES7922-5BG50-0HC0
• 8.0 m	6ES7922-5BJ00-0HC0
• 10.0 m	6ES7922-5CB00-0HC0
Core type UL/CSA-certified (0.5 mm² with screw connection)	
• 3.2 m	6ES7922-5BD20-0UC0
• 5.0 m	6ES7922-5BF00-0UC0
• 6.5 m	6ES7922-5BG50-0UC0
Front connector with single cores for 16 channels (pins 1-20)	
Core type H05V-K (0.5 mm² with screw connection)	
• 2.5 m	6ES7922-5BC50-0AB0
• 3.2 m	6ES7922-5BD20-0AB0
• 5.0 m	6ES7922-5BF00-0AB0
• 6.5 m	6ES7922-5BG50-0AB0
• 8.0 m	6ES7922-5BJ00-0AB0
• 10.0 m	6ES7922-5CB00-0AB0
Core type H05Z-K, halogen-free (0.5 mm² with screw connection)	
• 2.5 m	6ES7922-5BC50-0HB0
• 3.2 m	6ES7922-5BD20-0HB0
• 5.0 m	6ES7922-5BF00-0HB0
• 6.5 m	6ES7922-5BG50-0HB0
• 8.0 m	6ES7922-5BJ00-0HB0
• 10.0 m	6ES7922-5CB00-0HB0
Core type UL/CSA-certified (0.5 mm² with screw connection)	
• 3.2 m	6ES7922-5BD20-0UB0
• 5.0 m	6ES7922-5BF00-0UB0
• 6.5 m	6ES7922-5BG50-0UB0

SIMATIC S7-1500 Advanced Controllers

I/O modules

Fail-safe I/O modules

F-digital input modules

Overview



Fail-safe digital input module: F-DI 16x24VDC PROFISAFE

Important properties:

- 16-channel fail-safe digital input module for ET 200MP/S7-1500
- For fail-safe reading of sensor information (1 or 2 channels)
- Provides integral discrepancy evaluation for 2-out-of-2 signals
- 4 internal sensor supplies (incl. test function) onboard
- Certified up to SIL 3 (IEC 61508), PL e (ISO 13849)
- LED display for error, operation, supply voltage and status
- Clear module labeling
 - Plain text identification of the module type
 - Complete Article No.
 - 2D matrix code (article and serial number)
 - Connection diagram
 - Hardware and firmware version
- Optional labeling accessories
 - Labeling sheets, yellow
- The modules support PROFIsafe in both PROFIBUS and PROFINET configurations. Can be used with all fail-safe SIMATIC S7-1500 F-CPU's in the central configuration, as well as ET 200MP distributed I/O with all other SIMATIC S7 F-CPU's.

Technical specifications

Article number	6ES7526-1BH00-0AB0 ET 200MP, F-DI 16X24VDC
Engineering with	V13 SP1 with HSP 0086
• STEP 7 TIA Portal configurable/ integrated as of version	
Operating mode	
• DI	Yes
Supply voltage	
Rated value (DC)	24 V
Reverse polarity protection	Yes
Encoder supply	
Number of outputs	4
Short-circuit protection	Yes; Electronic (response threshold 0.7 A to 1.8 A)
24 V encoder supply	
• 24 V	Yes; min. L+ (-1.5 V)
• Short-circuit protection	Yes
• Output current, max.	300 mA; Max. 100 mA when mounted vertically
Digital inputs	
Number of digital inputs	16
Source/sink input	Yes; P-reading
Input characteristic curve in accordance with IEC 61131, type 1	Yes
Input voltage	
• Rated value (DC)	24 V
• for signal "0"	-30 to +5V
• for signal "1"	+15 to +30V
Input current	
• for signal "1", typ.	3.7 mA
Input delay (for rated value of input voltage) for standard inputs	
- parameterizable	Yes
Interrupts/diagnostics/ status information	
Diagnostics function	Yes
Alarms	
• Diagnostic alarm	Yes
• Hardware interrupt	No
Diagnostic messages	
• Monitoring the supply voltage	Yes
• Wire-break	No
• Short-circuit	Yes
• Group error	Yes
Diagnostics indication LED	
• RUN LED	Yes; Green LED
• ERROR LED	Yes; Red LED
• Channel status display	Yes; Green LED
• for channel diagnostics	Yes; Red LED
• for module diagnostics	Yes; Red LED
Potential separation	
Potential separation channels	
• between the channels and backplane bus	Yes
Standards, approvals, certificates	
Suitable for safety functions	Yes

Technical specifications (continued)

Article number	6ES7526-1BH00-0AB0 ET 200MP, F-DI 16X24VDC
Highest safety class achievable in safety mode	
• Performance level according to ISO 13849-1	PLe
• SIL acc. to IEC 61508	SIL 3
Ambient conditions	
Ambient temperature during operation	
• horizontal installation, min.	0 °C
• horizontal installation, max.	60 °C
• vertical installation, min.	0 °C
• vertical installation, max.	40 °C

Article number	6ES7526-1BH00-0AB0 ET 200MP, F-DI 16X24VDC
Dimensions	
Width	35 mm
Height	147 mm
Depth	129 mm
Weights	
Weight, approx.	280 g

Ordering data

Article No.

Article No.

Ordering data	Article No.	Ordering data	Article No.
F-digital input module 16 inputs, 24 V DC, PROFISAFE	6ES7526-1BH00-0AB0	S7 Distributed Safety V5.4 SP5 Update 2 programming tool	
Accessories		Task: Configuration software for configuring fail-safe user programs for SIMATIC S7-300F, S7-400F, WinAC RTX F, ET 200S, ET 200M, ET 200iSP, ET 200pro, ET 200eco, ET 200SP	
Coding elements E-coding element type F for ET 200 MP-module F-DI/F-DQ; 5 units, spare part	6ES7592-6EF00-1AA0	Requirement: Windows 7 SP1 (64-bit), Windows 10 Professional/Enterprise (64-bit), Windows Server 2008 R2 SP1 (64-bit), Windows Server 2012 R2 (64-bit), Windows Server 2016 (64-bit); STEP 7 from V5.5 SP1; Please also note the operating systems that have been released for the STEP 7 version used	
Front connectors Incl. four potential bridges, cable ties and individual labeling strips, 40-pin • Screw terminals • Push-in	6ES7592-1AM00-0XB0 6ES7592-1BM00-0XB0	Floating license for 1 user; software and documentation on DVD; license key on USB flash drive	6ES7833-1FC02-0YA5
DIN A4 labeling sheets For 35-mm F-modules; 10 sheets with 10 labeling strips each for I/O modules; perforated, yellow	6ES7592-2CX00-0AA0	Floating license for 1 user; software, documentation and license key for download ¹⁾ ; email address required for delivery	6ES7833-1FC02-0YH5
U connector 5 units; spare part	6ES7590-0AA00-0AA0		
Front door for F-I/O modules 5 front doors; with 5 labeling strips (front) and 5 cabling diagrams per front door; spare part	6ES7528-0AA10-7AA0		
STEP 7 Safety Advanced V15.1 Task: Engineering tool for configuring and programming fail-safe user programs for SIMATIC S7-1200 FC, S7-1500F, S7-1500F Software Controller, S7-300F, S7-400F, WinAC RTX F, ET 200SP F Controller and the fail-safe ET 200SP, ET 200MP, ET 200S, ET 200M, ET 200iSP, ET 200pro and ET 200eco I/O Requirement: STEP 7 Professional V15.1 Floating license for 1 user; software and documentation on DVD; license key on USB flash drive Floating license for 1 user; software, documentation and license key for download ¹⁾ ; email address required for delivery	6ES7833-1FA15-0YA5 6ES7833-1FA15-0YH5		

¹⁾ For up-to-date information and download availability, see:
<http://www.siemens.com/tia-online-software-delivery>

SIMATIC S7-1500 Advanced Controllers

I/O modules

Fail-safe I/O modules

F-digital output modules

Overview



Fail-safe digital output module: F-DQ 8x24VDC 2A PPM PROFISAFE

Important properties:

- 8-channel digital fail-safe output module for ET 200MP/S7-1500
- Fail-safe 2-channel activation (parameterizable PM/PP switching) of actuators
- Actuators can be controlled up to 2 A
- Certified up to SIL 3 (IEC 61508), PL e (ISO 13849)
- LED display for error, operation, supply voltage and status
- Clear module labeling
 - Plain text identification of the module type
 - Complete Article No.
 - 2D matrix code (article and serial number)
 - Connection diagram
 - Hardware and firmware version
- Optional labeling accessories
 - Labeling sheets, yellow
- The module supports PROFIsafe in both PROFIBUS and PROFINET configurations.
- Can be used with all fail-safe SIMATIC S7-1500 F-CPU's in the central configuration, as well as ET 200MP distributed I/O with all other SIMATIC S7 F-CPU's.

Technical specifications

Article number	6ES7526-2BF00-0AB0 ET 200MP, F-DQ 8x24VDC 2A PPM
Engineering with	
• STEP 7 TIA Portal configurable/ integrated as of version	V13 SP1 with HSP 0086
Operating mode	
• DQ	Yes
Supply voltage	
Rated value (DC)	24 V
Reverse polarity protection	Yes
Digital outputs	
Number of digital outputs	8
Current-sinking	Yes
Current-sourcing	Yes
Short-circuit protection	Yes
Open-circuit detection	Yes
Overload protection	Yes
Limitation of inductive shutdown voltage to	PM-switching: -24 V + (-47 V), PP-switching: -24 V
Switching capacity of the outputs	
• with resistive load, max.	2 A
• on lamp load, max.	10 W
Load resistance range	
• lower limit	12 Ω
• upper limit	2 000 Ω
Output voltage	
• Type of output voltage	DC
• for signal "1", min.	24 V; L+ (-0.5 V)

Article number	6ES7526-2BF00-0AB0 ET 200MP, F-DQ 8x24VDC 2A PPM
Output current	
• for signal "1" rated value	2 A
• for signal "0" residual current, max.	0.5 mA; Current-sourcing, or current sourcing and sinking switches individually, current sinking: max. 1 mA
Switching frequency	
• with resistive load, max.	30 Hz
• with inductive load, max.	0.1 Hz
• on lamp load, max.	10 Hz
Total current of the outputs	
• Current per channel, max.	2 A
Total current of the outputs (per module)	
horizontal installation	
- up to 40 °C, max.	16 A
- up to 60 °C, max.	8 A
vertical installation	
- up to 40 °C, max.	8 A
Cable length	
• shielded, max.	1 000 m
• unshielded, max.	500 m

Technical specifications (continued)

Article number	6ES7526-2BF00-0AB0 ET 200MP, F-DQ 8x24VDC 2A PPM
Interrupts/diagnostics/ status information	
Diagnostics function	Yes
Substitute values connectable	No
Alarms	
• Diagnostic alarm	Yes
Diagnostic messages	
• Monitoring the supply voltage	Yes
• Wire-break	Yes
• Short-circuit	Yes
• Group error	Yes
Diagnostics indication LED	
• RUN LED	Yes; Green LED
• ERROR LED	Yes; Red LED
• Monitoring of the supply voltage (PWR-LED)	Yes
• Channel status display	Yes; Green LED
• for channel diagnostics	Yes; Red LED
• for module diagnostics	Yes; Red LED
Potential separation	
Potential separation channels	
• between the channels and backplane bus	Yes
Standards, approvals, certificates	
Suitable for safety functions	Yes

Article number	6ES7526-2BF00-0AB0 ET 200MP, F-DQ 8x24VDC 2A PPM
Highest safety class achievable in safety mode	
• Performance level according to ISO 13849-1	PLe
• SIL acc. to IEC 61508	SIL 3
Ambient conditions	
Ambient temperature during operation	
• horizontal installation, min.	0 °C
• horizontal installation, max.	60 °C
• vertical installation, min.	0 °C
• vertical installation, max.	40 °C
Dimensions	
Width	35 mm
Height	147 mm
Depth	129 mm
Weights	
Weight, approx.	300 g

SIMATIC S7-1500 Advanced Controllers

I/O modules

Fail-safe I/O modules

F-digital output modules

Ordering data

F-digital output module

8 outputs, 24 V DC, 2 A, PROFISAFE, p/m-switching

Article No.

6ES7526-2BF00-0AB0

Accessories

Coding elements

E-coding element type F for ET 200 MP-module F-DI/F-DQ; 5 units, spare part

6ES7592-6EF00-1AA0

Front connectors

Incl. four potential bridges, cable ties and individual labeling strips, 40-pin

- Screw terminals
- Push-in

6ES7592-1AM00-0XB0

6ES7592-1BM00-0XB0

DIN A4 labeling sheets

For 35-mm F-modules; 10 sheets with 10 labeling strips each for I/O modules; perforated, yellow

6ES7592-2CX00-0AA0

U connector

5 units; spare part

6ES7590-0AA00-0AA0

Front door for F-I/O modules

5 front doors; with 5 labeling strips (front) and 5 cabling diagrams per front door; spare part

6ES7528-0AA10-7AA0

STEP 7 Safety Advanced V15.1

Task:

Engineering tool for configuring and programming fail-safe user programs for SIMATIC S7-1200 FC, S7-1500F, S7-1500F Software Controller, S7-300F, S7-400F, WinAC RTX F, ET 200SP F Controller and the fail-safe ET 200SP, ET 200MP, ET 200S, ET 200M, ET 200iSP, ET 200pro and ET 200eco I/O

Requirement:

STEP 7 Professional V15.1

Floating license for 1 user; software and documentation on DVD; license key on USB flash drive

6ES7833-1FA15-0YA5

Floating license for 1 user; software, documentation and license key for download¹⁾; email address required for delivery

6ES7833-1FA15-0YH5

Article No.

S7 Distributed Safety V5.4 SP5 Update 2 programming tool

Task:

Configuration software for configuring fail-safe user programs for SIMATIC S7-300F, S7-400F, WinAC RTX F, ET 200S, ET 200M, ET 200iSP, ET 200pro, ET 200eco, ET 200SP

Requirement:

Windows 7 SP1 (64-bit), Windows 10 Professional/Enterprise (64-bit), Windows Server 2008 R2 SP1 (64-bit), Windows Server 2012 R2 (64-bit), Windows Server 2016 (64-bit); STEP 7 from V5.5 SP1; Please also note the operating systems that have been released for the STEP 7 version used

Floating license for 1 user; software and documentation on DVD; license key on USB flash drive

6ES7833-1FC02-0YA5

Floating license for 1 user; software, documentation and license key for download¹⁾; email address required for delivery

6ES7833-1FC02-0YH5

¹⁾ For up-to-date information and download availability, see: <http://www.siemens.com/tia-online-software-delivery>

SIMATIC S7-1500 Advanced Controllers

Power supplies

1-phase, 24 V DC (for S7-1500 and ET200MP)

Overview



The design and functionality of the SIMATIC PM 1507 single-phase load power supply (PM = power module) with automatic range selection of the input voltage makes it an optimal match to the SIMATIC S7-1500 PLC. It supplies the S7-1500 system components such as CPU, system power supply (PS), I/O circuits of the input and output modules and, if necessary, the sensors and actuators with 24 V DC.

4

Technical specifications

Article number	6EP1332-4BA00	6EP1333-4BA00
Product	S7-1500 PM1507	S7-1500 PM1507
Power supply, type	24 V/3 A	24 V/8 A
Input		
Input	1-phase AC	1-phase AC
• Note	Automatic range selection	Automatic range selection
Supply voltage		
• 1 at AC Rated value	120 V	120 V
• 2 at AC Rated value	230 V	230 V
Input voltage		
• 1 at AC	85 ... 132 V	85 ... 132 V
• 2 at AC	170 ... 264 V	170 ... 264 V
Wide-range input	No	No
Overvoltage resistance	$2.3 \times V_{in \text{ rated}}, 1.3 \text{ ms}$	$2.3 \times V_{in \text{ rated}}, 1.3 \text{ ms}$
Mains buffering at $I_{out \text{ rated}}, \text{min.}$	20 ms; at $V_{in} = 93/187 \text{ V}$	20 ms; at $V_{in} = 93/187 \text{ V}$
Rated line frequency 1	50 Hz	50 Hz
Rated line frequency 2	60 Hz	60 Hz
Rated line range	45 ... 65 Hz	45 ... 65 Hz
Input current		
• at rated input voltage 120 V	1.4 A	3.7 A
• at rated input voltage 230 V	0.8 A	1.7 A
Switch-on current limiting (+25 °C), max.	23 A	62 A
Duration of inrush current limiting at 25 °C		
• maximum	3 ms	3 ms
$I^2t, \text{max.}$	1.3 A ² ·s	12 A ² ·s
Built-in incoming fuse	T 3, 15 A/250 V (not accessible)	T 6.3 A/250 V (not accessible)
Protection in the mains power input (IEC 898)	Recommended miniature circuit breaker: 10 A characteristic B or 6 A characteristic C	Recommended miniature circuit breaker: 16 A characteristic B or 10 A characteristic C

SIMATIC S7-1500 Advanced Controllers

Power supplies

1-phase, 24 V DC (for S7-1500 and ET200MP)

Technical specifications (continued)

Article number	6EP1332-4BA00	6EP1333-4BA00
Product	S7-1500 PM1507	S7-1500 PM1507
Power supply, type	24 V/3 A	24 V/8 A
Output		
Output	Controlled, isolated DC voltage	Controlled, isolated DC voltage
Rated voltage V_{out} DC	24 V	24 V
Total tolerance, static \pm	1 %	1 %
Static mains compensation, approx.	0.1 %	0.1 %
Static load balancing, approx.	0.1 %	0.1 %
Residual ripple peak-peak, max.	50 mV	50 mV
Spikes peak-peak, max. (bandwidth: 20 MHz)	150 mV	150 mV
Product function Output voltage adjustable	No	No
Status display	LED green for 24 V OK; LED red for error; LED yellow for stand-by	LED green for 24 V OK; LED red for error; LED yellow for stand-by
On/off behavior	No overshoot of V_{out} (soft start)	No overshoot of V_{out} (soft start)
Startup delay, max.	1.5 s	1.5 s
Voltage rise, typ.	10 ms	10 ms
Rated current value I_{out} rated	3 A	8 A
Current range	0 ... 3 A	0 ... 8 A
Supplied active power typical	72 W	192 W
Short-term overload current		
• on short-circuiting during the start-up typical	12 A	35 A
• at short-circuit during operation typical	12 A	35 A
Duration of overloading capability for excess current		
• on short-circuiting during the start-up	70 ms	70 ms
• at short-circuit during operation	70 ms	70 ms
Parallel switching for enhanced performance	No	No
Efficiency		
Efficiency at V_{out} rated, I_{out} rated, approx.	87 %	90 %
Power loss at V_{out} rated, I_{out} rated, approx.	11 W	21 W
Closed-loop control		
Dynamic mains compensation (V_{in} rated ± 15 %), max.	0.1 %	0.1 %
Dynamic load smoothing (I_{out} : 50/100/50 %), U_{out} \pm typ.	1 %	2 %
Dynamic load smoothing (I_{out} : 10/90/10 %), U_{out} \pm typ.	3 %	3 %
Load step setting time 10 to 90%, typ.	5 ms	5 ms
Load step setting time 90 to 10%, typ.	5 ms	5 ms
Setting time maximum	5 ms	5 ms
Protection and monitoring		
Output overvoltage protection	Additional control loop, limitation (closed loop control) at < 28.8 V	Additional control loop, limitation (closed loop control) at < 28.8 V
Current limitation	3.15 ... 3.6 A	8.4 ... 9.6 A
Current limitation, typ.	3.4 A	9 A
Property of the output Short-circuit proof	Yes	Yes
Short-circuit protection	Electronic shutdown, automatic restart	Electronic shutdown, automatic restart
Overload/short-circuit indicator	-	-
Safety		
Primary/secondary isolation	Yes	Yes
Galvanic isolation	Safety extra-low output voltage U_{out} acc. to EN 60950-1 and EN 50178 and EN 61131-2	Safety extra-low output voltage U_{out} acc. to EN 60950-1 and EN 50178 and EN 61131-2
Protection class	Class I	Class I
Leakage current		
• maximum	3.5 mA	3.5 mA
• typical	0.4 mA	1.3 mA

SIMATIC S7-1500 Advanced Controllers

Power supplies

1-phase, 24 V DC (for S7-1500 and ET200MP)

Technical specifications (continued)

Article number	6EP1332-4BA00	6EP1333-4BA00
Product	S7-1500 PM1507	S7-1500 PM1507
Power supply, type	24 V/3 A	24 V/8 A
CE mark	Yes	Yes
UL/cUL (CSA) approval	cULus-Listed (UL 508, CSA C22.2 No. 142), File E143289	cULus-Listed (UL 508, CSA C22.2 No. 142), File E143289
Explosion protection	IECEX Ex nA nC IIC T4 Gc; ATEX (EX) II 3G Ex nA nC IIC T4 Gc; cULus (ANSI/ISA 12.12.01, CSA C22.2 No.213) Class I, Div. 2, Group ABCD, T4, File E330455	IECEX Ex nA nC IIC T3 Gc; ATEX (EX) II 3G Ex nA nC IIC T3 Gc; cULus (ANSI/ISA 12.12.01, CSA C22.2 No.213) Class I, Div. 2, Group ABCD, T3, File E330455
FM approval	Class I, Div. 2, Group ABCD, T4	Class I, Div. 2, Group ABCD, T4
CB approval	Yes	Yes
Marine approval	ABS, BV, DNV GL	ABS, BV, DNV GL
Degree of protection (EN 60529)	IP20	IP20
EMC		
Emitted interference	EN 55022 Class B	EN 55022 Class B
Supply harmonics limitation	EN 61000-3-2	EN 61000-3-2
Noise immunity	EN 61000-6-2	EN 61000-6-2
Operating data		
Ambient temperature		
• during operation	0 ... 60 °C	0 ... 60 °C
- Note	with natural convection	with natural convection
• during transport	-40 ... +85 °C	-40 ... +85 °C
• during storage	-40 ... +85 °C	-40 ... +85 °C
Humidity class according to EN 60721	Climate class 3K3, no condensation	Climate class 3K3, no condensation
Mechanics		
Connection technology	Screw-/spring clamp connection	Screw-/spring clamp connection
Connections		
• Supply input	L, N, PE: 1 screw terminal each for 0.5 ... 2.5 mm ²	L, N, PE: 1 screw terminal each for 0.5 ... 2.5 mm ²
• Output	L+, M: 2 spring-loaded terminals each for 0.5 to 2.5 mm ²	L+, M: 2 spring-loaded terminals each for 0.5 to 2.5 mm ²
Product function		
• removable terminal at input	Yes	Yes
• removable terminal at output	Yes	Yes
Width of the enclosure	50 mm	75 mm
Height of the enclosure	147 mm	147 mm
Depth of the enclosure	129 mm	129 mm
Required spacing		
• top	40 mm	40 mm
• bottom	40 mm	40 mm
• left	0 mm	0 mm
• right	0 mm	0 mm
Weight, approx.	0.45 kg	0.74 kg
Product feature of the enclosure housing for side-by-side mounting	Yes	Yes
Installation	Can be mounted onto S7-1500 rail	Can be mounted onto S7-1500 rail
MTBF at 40 °C	1 611 993 h	1 362 918 h
Other information	Specifications at rated input voltage and ambient temperature +25 °C (unless otherwise specified)	Specifications at rated input voltage and ambient temperature +25 °C (unless otherwise specified)

Ordering data**Article No.****Article No.****SIMATIC PM 1507****6EP1332-4BA00****SIMATIC PM 1507****6EP1333-4BA00**

Stabilized power supply for
SIMATIC S7-1500
Input: 120/230 V AC
Output: 24 V DC/3 A

Stabilized power supply for
SIMATIC S7-1500
Input: 120/230 V AC
Output: 24 V DC/8 A

SIMATIC S7-1500 Advanced Controllers

Power supplies

System power supplies

Overview



- System power supplies for SIMATIC S7-1500
- For conversion of AC or DC line voltages to the operating voltages required for the internal electronics
- 25 or 60 W output power
- Can be used for S7-1500 or ET 200MP
- Engineering and configuration via STEP 7 V12 and higher (PS 60W 24/48/60V DC HF: from STEP 7 V14 SP1)
- In addition with PS 60W 24/48/60V DC HF: Retentive storage of CPU work memory (data) for all S7-1500 CPUs

4

Technical specifications

Article number	6ES7505-0KA00-0AB0	6ES7505-0RA00-0AB0	6ES7505-0RB00-0AB0	6ES7507-0RA00-0AB0
	S7-1500, PS 25W 24V DC	S7-1500, PS 60W 24/48/60V DC	S7-1500, PS 60W 24/48/60V DC HF	S7-1500, PS 60W 120/230V AC/DC
General information				
Product type designation	PS 25W 24VDC	PS 60 W 24/48/60 V DC	PS 60 W 24/48/60 V DC HF	PS 60 W 120/230 V AC/DC
Engineering with				
• STEP 7 TIA Portal configurable/ integrated as of version	V12 / V12	V12 / V12	V14 SP1	V12 / V12
• STEP 7 configurable/integrated as of version	V5.5 SP3 or higher	V5.5 SP3 or higher		V5.5 SP3 or higher
Supply voltage				
Rated value (DC)	24 V	24 V / 48 V / 60 V	24 V / 48 V / 60 V	120 V / 230 V
permissible range, lower limit (DC)	Static 19.2 V, dynamic 18.5 V	Static 19.2 V, dynamic 18.5 V	Static 19.2 V, dynamic 18.5 V	88 V
permissible range, upper limit (DC)	Static 28.8 V, dynamic 30.2 V	Static 72 V, dynamic 75.5 V	Static 72 V, dynamic 75.5 V	300 V
Rated value (AC)				120 V / 230 V
permissible range, lower limit (AC)				85 V
permissible range, upper limit (AC)				264 V
Reverse polarity protection	Yes	Yes	Yes	
Short-circuit protection	Yes	Yes	Yes	Yes
Line frequency				
• Rated value 50 Hz				Yes
• permissible range, lower limit				47 Hz
• permissible range, upper limit				63 Hz
Mains buffering				
• Mains/voltage failure stored energy time	20 ms	20 ms	20 ms	20 ms
Input current				
Rated value at 24 V DC	1.3 A	3 A	3 A	
Rated value at 48 V DC		1.5 A	1.5 A	
Rated value at 60 V DC		1.2 A	1.2 A	
Rated value at 120 V DC				0.6 A
Rated value at 230 V DC				0.3 A
Rated value at 120 V AC				0.6 A
Rated value at 230 V AC				0.34 A
Inrush current, max.			≤ 8 A for t ≤ 1 s	
Output current				
Short-circuit protection	Yes	Yes	Yes	Yes

Technical specifications (continued)

Article number	6ES7505-0KA00-0AB0 S7-1500, PS 25W 24V DC	6ES7505-0RA00-0AB0 S7-1500, PS 60W 24/48/60V DC	6ES7505-0RB00-0AB0 S7-1500, PS 60W 24/48/60V DC HF	6ES7507-0RA00-0AB0 S7-1500, PS 60W 120/230V AC/DC
Power				
Infeed power to the backplane bus	25 W	60 W	60 W	60 W
Power loss				
Power loss at nominal rating conditions	6.2 W	12 W	12 W	12 W
Interrupts/diagnostics/status information				
Status indicator	Yes	Yes	Yes	Yes
Potential separation				
primary/secondary	Yes	Yes; Electrical isolation for 230 V AC (reinforced isolation)		Yes
EMC				
Interference immunity against voltage surge				
<ul style="list-style-type: none"> on the supply lines acc. to IEC 61000-4-5 	Yes; ±1 kV (acc. to IEC 61000-4-5; 1995; surge symm.), ±2 kV (acc. to IEC 61000-4-5; 1995; surge asymm.), no external protective circuit required	Yes; ±1 kV (acc. to IEC 61000-4-5; 1995; surge symm.), ±2 kV (acc. to IEC 61000-4-5; 1995; surge asymm.), no external protective circuit required	Yes; ±1 kV (acc. to IEC 61000-4-5; 1995; surge symm.), ±2 kV (acc. to IEC 61000-4-5; 1995; surge asymm.), no external protective circuit required	Yes; ±1 kV (acc. to IEC 61000-4-5; 1995; surge symm.), ±2 kV (acc. to IEC 61000-4-5; 1995; surge asymm.), no external protective circuit required
Degree and class of protection				
Degree of protection acc. to EN 60529	IP20	IP20	IP20	IP20
Equipment protection class	III, with protective conductor	I, with protective conductor	I, with protective conductor	I, with protective conductor
Dimensions				
Width	35 mm	70 mm	105 mm	70 mm
Height	147 mm	147 mm	147 mm	147 mm
Depth	129 mm	129 mm	129 mm	129 mm
Weights				
Weight, approx.	350 g	600 g	865 g	600 g

Ordering data

Power supply

For supplying the backplane bus of the S7-1500 controller

24 V DC input voltage, power 25 W

6ES7505-0KA00-0AB0

24/48/60 V DC input voltage, power 60 W

6ES7505-0RA00-0AB0

24/48/60 V DC input voltage, power 60 W, buffering functionality

6ES7505-0RB00-0AB0

120/230 V AC input voltage, power 60 W

6ES7507-0RA00-0AB0

Accessories

SIMATIC S7-1500 DIN rail

Fixed lengths, with grounding elements

- 160 mm
- 245 mm
- 482 mm
- 530 mm
- 830 mm

6ES7590-1AB60-0AA0

6ES7590-1AC40-0AA0

6ES7590-1AE80-0AA0

6ES7590-1AF30-0AA0

6ES7590-1AJ30-0AA0

For cutting to length by customer, without drill holes; grounding elements must be ordered separately

- 2000 mm

6ES7590-1BC00-0AA0

PE connection element for DIN rail 2000 mm

Spare part, 20 units

6ES7590-5AA00-0AA0

Power connector

With coding element for power supply module; spare part, 10 units

6ES7590-8AA00-0AA0

SIMATIC S7-1500 Advanced Controllers

SIPLUS power supplies

1-phase, 24 V DC (for S7-1500 and ET200MP)

Overview



The design and functionality of the SIMATIC PM 1507 single-phase load power supply (PM = power module) with automatic range selection of the input voltage makes it an optimal match to the SIMATIC S7-1500 PLC. It supplies the S7-1500 system components such as CPU, system power supply (PS), I/O circuits of the input and output modules and, if necessary, the sensors and actuators with 24 V DC.

Note:

SIPLUS extreme products are based on Siemens standard products. The contents listed here were taken from the respective standard products. SIPLUS extreme specific information was added.

Article No.	6AG1332-4BA00-7AA0	6AG1333-4BA00-7AA0
Article number based on	6EP1332-4BA00	6EP1333-4BA00
Ambient temperature range	-40 ... +70 °C	
Conformal coating	Coating of the printed circuit boards and the electronic components	
Technical specifications	The technical specifications of the standard product apply, except for the ambient conditions.	
Ambient conditions		
Extended range of environmental conditions		
• with reference to ambient temperature, air pressure and altitude	Tmin ... Tmax at 1080 hPa ... 795 hPa (-1000 m ... +2000 m) // Tmin ... (Tmax - 10K) at 795 hPa ... 658 hPa (+2000 m ... +3500 m) // Tmin ... (Tmax - 20K) at 658 hPa ... 540 hPa (+3500 m ... +5000 m)	
Relative humidity		
• with condensation, max.	100 %; RH incl. bedewing/frost (no commissioning in bedewed state)	
Resistance		
• to biologically active substances/compliance with EN 60721-3-3	Yes; Class 3B2 mold and fungal spores (except fauna); the supplied plug covers must remain in place on the unused interfaces during operation.	
• to chemically active substances/compliance with EN 60721-3-3	Yes; Class 3C4 (RH < 75%) incl. salt spray in accordance with EN 60068-2-52 (severity 3); the supplied plug covers must remain in place on the unused interfaces during operation.	
• to mechanically active substances, compliance with EN 60721-3-3	Yes; Class 3S4 incl. sand, dust; the supplied plug covers must remain in place on unused interfaces during operation.	

Ordering data

Article No.

SIPLUS S7-1500 PM 1507

(Extended temperature range and medial exposure)

Input 120/230 V AC,
output 24 V DC, 3 A

6AG1332-4BA00-7AA0

Input 120/230 V AC,
output 24 V DC, 8 A

6AG1333-4BA00-7AA0

Overview



- System power supplies for the SIMATIC S7-1500
- For conversion of AC or DC line voltages to the operating voltages required for the internal electronics
- 25 or 60 W output power
- Can be used for S7-1500 or ET 200MP
- Engineering and configuration via STEP 7 V12

Note:

SIPLUS extreme products are based on SIMATIC standard products. The contents listed here were taken from the respective standard products. SIPLUS extreme specific information was added.

Technical specifications

Article number	6AG1505-0KA00-7AB0	6AG1505-0RA00-7AB0	6AG1507-0RA00-7AB0
Based on	6ES7505-0KA00-0AB0 SIPLUS S7-1500 PS 25W 24V DC	6ES7505-0RA00-0AB0 SIPLUS S7-1500 PS 60W 24/48/60V DC	6ES7507-0RA00-0AB0 SIPLUS S7-1500 PS 60W 120/230V AC/DC
Ambient conditions			
Ambient temperature during operation			
• min.	-40 °C; = Tmin (incl. condensation/frost); start-up @ -25 °C	-40 °C; = Tmin (incl. condensation/frost); start-up @ -25 °C	-40 °C; = Tmin (incl. condensation/frost); start-up @ -25 °C
• max.	70 °C; = Tmax; for vertical mounting position Tmax = +40 °C	70 °C; = Tmax; > +60 °C max. power input 30 W; for vertical mounting position Tmax = +40 °C	70 °C; = Tmax; for vertical mounting position Tmax = +40 °C
Altitude during operation relating to sea level			
• Installation altitude above sea level, max.	5 000 m	5 000 m	2 000 m
• Ambient air temperature-barometric pressure-altitude	Tmin ... Tmax at 1 140 hPa ... 795 hPa (-1 000 m ... +2 000 m) // Tmin ... (Tmax - 10 K) at 795 hPa ... 658 hPa (+2 000 m ... +3 500 m) // Tmin ... (Tmax -20 K) at 658 hPa ... 540 hPa (+3 500 m ... +5 000 m)	Tmin ... Tmax at 1 140 hPa ... 795 hPa (-1 000 m ... +2 000 m) // Tmin ... (Tmax - 10 K) at 795 hPa ... 658 hPa (+2 000 m ... +3 500 m) // Tmin ... (Tmax -20 K) at 658 hPa ... 540 hPa (+3 500 m ... +5 000 m)	Tmin ... Tmax at 1 140 hPa ... 795 hPa (-1 000 m ... +2 000 m)
Relative humidity			
• With condensation, tested in accordance with IEC 60068-2-38, max.	100 %; RH incl. condensation/frost (no commissioning under condensation conditions)	100 %; RH incl. condensation/frost (no commissioning under condensation conditions)	100 %; RH incl. condensation/frost (no commissioning under condensation conditions)
Resistance			
Coolants and lubricants			
- Resistant to commercially available coolants and lubricants	Yes; Incl. diesel and oil droplets in the air	Yes; Incl. diesel and oil droplets in the air	Yes; Incl. diesel and oil droplets in the air
Use in stationary industrial systems			
- to biologically active substances according to EN 60721-3-3	Yes; Class 3B2 mold, fungus and dry rot spores (with the exception of fauna); Class 3B3 on request	Yes; Class 3B2 mold, fungus and dry rot spores (with the exception of fauna); Class 3B3 on request	Yes; Class 3B2 mold, fungus and dry rot spores (with the exception of fauna); Class 3B3 on request
- to chemically active substances according to EN 60721-3-3	Yes; Class 3C4 (RH < 75 %) incl. salt spray acc. to EN 60068-2-52 (severity degree 3); *	Yes; Class 3C4 (RH < 75 %) incl. salt spray acc. to EN 60068-2-52 (severity degree 3); *	Yes; Class 3C4 (RH < 75 %) incl. salt spray acc. to EN 60068-2-52 (severity degree 3); *
- to mechanically active substances according to EN 60721-3-3	Yes; Class 3S4 incl. sand, dust, *	Yes; Class 3S4 incl. sand, dust, *	Yes; Class 3S4 incl. sand, dust, *

SIMATIC S7-1500 Advanced Controllers

SIPLUS power supplies

SIPLUS system power supplies

Technical specifications (continued)

Article number	6AG1505-0KA00-7AB0	6AG1505-0RA00-7AB0	6AG1507-0RA00-7AB0
Based on	6ES7505-0KA00-0AB0 SIPLUS S7-1500 PS 25W 24V DC	6ES7505-0RA00-0AB0 SIPLUS S7-1500 PS 60W 24/48/60V DC	6ES7507-0RA00-0AB0 SIPLUS S7-1500 PS 60W 120/230V AC/DC
Use on ships/at sea			
- to biologically active substances according to EN 60721-3-6	Yes; Class 6B2 mold and fungal spores (excluding fauna); Class 6B3 on request	Yes; Class 6B2 mold and fungal spores (excluding fauna); Class 6B3 on request	Yes; Class 6B2 mold and fungal spores (excluding fauna); Class 6B3 on request
- to chemically active substances according to EN 60721-3-6	Yes; Class 6C3 (RH < 75 %) incl. salt spray acc. to EN 60068-2-52 (severity degree 3); *	Yes; Class 6C3 (RH < 75 %) incl. salt spray acc. to EN 60068-2-52 (severity degree 3); *	Yes; Class 6C3 (RH < 75 %) incl. salt spray acc. to EN 60068-2-52 (severity degree 3); *
- to mechanically active substances according to EN 60721-3-6	Yes; Class 6S3 incl. sand, dust; *	Yes; Class 6S3 incl. sand, dust; *	Yes; Class 6S3 incl. sand, dust; *
Remark			
- Note regarding classification of environmental conditions acc. to EN 60721	* The supplied plug covers must remain in place over the unused interfaces during operation!	* The supplied plug covers must remain in place over the unused interfaces during operation!	* The supplied plug covers must remain in place over the unused interfaces during operation!
Conformal coating			
• Coatings for printed circuit board assemblies acc. to EN 61086	Yes; Class 2 for high availability	Yes; Class 2 for high availability	Yes; Class 2 for high availability
• Protection against fouling acc. to EN 60664-3	Yes; Type 1 protection	Yes; Type 1 protection	Yes; Type 1 protection
• Military testing according to MIL-I-46058C, Amendment 7	Yes; Discoloration of coating possible during service life	Yes; Discoloration of coating possible during service life	Yes; Discoloration of coating possible during service life
• Qualification and Performance of Electrical Insulating Compound for Printed Board Assemblies according to IPC-CC-830A	Yes; Conformal coating, Class A	Yes; Conformal coating, Class A	Yes; Conformal coating, Class A

Ordering data

SIPLUS S7-1500 system power supply

(Extended temperature range and exposure to media)

For supplying the backplane bus of the S7-1500 controller

24 V DC input voltage,
power 25 W

24/48/60 V DC input voltage,
power 60 W

120/230 V AC input voltage,
power 60 W

Article No.

6AG1505-0KA00-7AB0

6AG1505-0RA00-7AB0

6AG1507-0RA00-7AB0

Article No.

Accessories

See SIMATIC S7-1500,
system power supplies,
page 4/185

Overview



Basic Panels (2nd Generation)

SIMATIC HMI Basic Panels (2nd Generation) with their fully developed HMI basic functions are the ideal entry-level series for simple HMI applications.

The device family offers panels with 4", 7", 9" and 12" displays, as well as combined key and touch operation.

The innovative high-resolution widescreen displays with 64 000 colors are also suitable for upright installation, and they can be dimmed down to 100%. The innovative operator interface with improved usability opens up a diverse range of options thanks to new controls and graphics. The new USB interface enables the connection of keyboard, mouse or barcode scanner, and supports the simple archiving of data on a USB flash drive as well as the manual backup and restoring of the complete panel.

The integrated Ethernet or RS 485/422 interface (version-specific) enables simple connection to the controller.

For more information, see chapter 3, page 3/181.



Comfort Panel family, KP, TP, KTP

SIMATIC HMI Comfort Panels - Standard devices

- Excellent HMI functionality for demanding applications
- Widescreen TFT displays with 4", 7", 9", 12", 15", 19" and 22" diagonals (all 16 million colors) with up to 40% more visualization area as compared to the predecessor devices
- Integrated high-end functionality with archives, scripts, PDF/Word/Excel viewer, Internet Explorer, Media Player and Web Server
- Dimmable displays from 0 to 100% via PROFIenergy, via the HMI project or via a controller
- Modern industrial design, cast aluminum fronts for 7" upwards
- Upright installation for all touch devices
- Data security in the event of a power failure for the device and for the SIMATIC HMI memory card
- Innovative service and commissioning concept
- Maximum performance with short screen refresh times
- Suitable for extremely harsh industrial environments thanks to extended approvals such as ATEX 2/22 and marine approvals
- All versions can be used as an OPC UA client or as a server
- Key-operated devices with LED in every function key and new text input mechanism, similar to the keypads of mobile phones
- All keys have a service life of 2 million operations
- Configuring with the WinCC engineering software of the TIA Portal engineering framework

Note:

A 7" and a 15" Comfort Outdoor version are available. These devices have been specially designed for outdoor applications in difficult environments. Best display quality, even under sunlight, UV-resistant fronts and much more.

For more information, see chapter 3, page 3/182.

SIMATIC S7-1500 Advanced Controllers

Operator control and monitoring

SIPLUS Basic Panels and Comfort Panels

Overview

SIPLUS extreme products are based on SIMATIC standard products.

For SIPLUS technical documentation, see:

<http://www.siemens.com/siplus-extreme>

For more information, see chapter 3, page 3/184.

Overview



- Aluminum rail for mounting the SIMATIC S7-1500 or ET 200MP
- With integrated DIN rail for snapping on a wide range of standard components
- Attachment of modules with a single screw
- Installation by screwing to the control cabinet wall
- Entire length of rail can be used
- Can also be mounted on low or flat DIN rails, e.g. in control cabinets and terminal boxes, using standard mounting rail adapter

Ordering data

Article No.

SIMATIC S7-1500 DIN rail

Fixed lengths, with grounding elements

- 160 mm
- 245 mm
- 482 mm
- 530 mm
- 830 mm

6ES7590-1AB60-0AA0
6ES7590-1AC40-0AA0
6ES7590-1AE80-0AA0
6ES7590-1AF30-0AA0
6ES7590-1AJ30-0AA0

For cutting to length by customer, without drill holes; grounding elements must be ordered separately

- 2 000 mm

6ES7590-1BC00-0AA0

PE connection element for DIN rail 2 000 mm

20 units

6ES7590-5AA00-0AA0

DIN rail adapter

For adapting S7-1500 DIN rails on low or flat standard mounting rails, as pre-assembled in control cabinets and terminal boxes, for example. An adapter must be placed every 25 cm. Including mounting hardware. 10 units per packaging unit

6ES7590-6AA00-0AA0

SIMATIC Manual Collection

Electronic manuals on DVD, multi-language:
 LOGO!, SIMADYN, SIMATIC bus components, SIMATIC C7, SIMATIC Distributed I/O, SIMATIC HMI, SIMATIC sensors, SIMATIC NET, SIMATIC PC-based Automation, SIMATIC PCS 7, SIMATIC PG/PC, SIMATIC S7, SIMATIC Software, SIMATIC TDC

6ES7998-8XC01-8YE0

SIMATIC Manual Collection update service for 1 year

Current "Manual Collection" DVD and the three subsequent updates

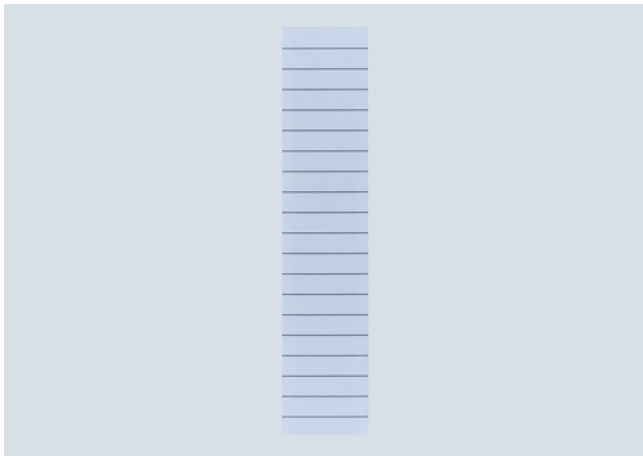
6ES7998-8XC01-8YE2

SIMATIC S7-1500 Advanced Controllers

Accessories

Labeling sheets

Overview



- Film sheets for the application-specific, automatic labeling of SIMATIC S7-1500 I/O modules using standard laser printers
- Direct printing possible from the TIA Portal
 - No double entry of symbols and/or addresses
 - Saves time and avoids typing errors
- Plain color films, tear-resistant, dirt-repellent
- Simple handling:
 - Perforated labeling sheets in DIN A4 format for easy separation of the labeling strips.
 - Detached strips can be inserted directly into the I/O modules.
- Different colors to differentiate module types; yellow reserved for failsafe systems

Ordering data

Article No.

DIN A4 labeling sheet

For 35 mm module;
10 sheets with 10 labeling strips
each for I/O modules; perforated,
Al gray

6ES7592-2AX00-0AA0

For 25 mm modules;
10 sheets with 20 labeling strips
each for I/O modules; perforated,
Al gray

6ES7592-1AX00-0AA0

SIMATIC Manual Collection

Electronic manuals on DVD,
multi-language:
LOGO!, SIMADYN, SIMATIC bus
components, SIMATIC C7,
SIMATIC Distributed I/O,
SIMATIC HMI, SIMATIC Sensors,
SIMATIC NET, SIMATIC PC-based
Automation, SIMATIC PCS 7,
SIMATIC PG/PC, SIMATIC S7,
SIMATIC Software, SIMATIC TDC

6ES7998-8XC01-8YE0

SIMATIC Manual Collection update service for 1 year

Current "Manual Collection" DVD
and the three subsequent updates

6ES7998-8XC01-8YE2

Overview**Front doors**

- Versions:
 - Universal front doors for digital and analog I/O modules
 - Universal front doors for the interface module IM155-5 PN ST
- Included in the scope of supply of the respective modules. Can be ordered as a spare part in a set consisting of five universal (unlabeled) front doors.
- Front doors for I/O modules: Universal labeling sheets and cabling diagrams are included. Cabling diagrams can be detached from perforated sheets and inserted inside the door.

U connector

- To interconnect the modules (self-assembling backplane bus)
- Implementation of a rugged, interference-free station setup through
 - Consistent separation of supply voltage of modules and data signals
 - Fully shielded, gold-plated contacts for the data bus
- Included in the scope of supply of each module. Available as spare part in sets of 5.

Shielding

- Components for implementing the integrated S7-1500 shielding concept:
 - 24 V DC infeed element for supplying the analog module: strict separation of infeed and analog signals ensures high EMC stability.
 - Shield bracket for insertion in the front connector: allows a low-impedance connection and optimally dissipates interference.
 - Universal shield terminal: connects the cable shield with the shield bracket and is simultaneously used for mechanical fixing.
- Included in the scope of supply of the analog modules. Available as a spare part in two versions:
 - Shielding set, comprising infeed element, shield bracket, and shield terminal (pack of 5 units each)
 - Individual shield terminals (pack of 20)
- No tool required for assembly/disassembly

SIMATIC S7-1500 Advanced Controllers

Accessories

Spare parts

Ordering data	Article No.		Article No.
Universal front door for IM 155-5 PN ST 5 front doors; spare part	6ES7528-0AA70-7AA0		
Universal front door for I/O modules 5 front doors; with 5 labeling strips (front) and 5 cabling diagrams per front door; spare part <ul style="list-style-type: none"> • For 35 mm modules • For 25 mm modules 	6ES7528-0AA00-7AA0 6ES7528-0AA00-0AA0		
U connector 5 units; spare part	6ES7590-0AA00-0AA0		
Shielding set I/O Infeed element, shield clamp, and shield terminal; 5 units; spare part <ul style="list-style-type: none"> • For 35 mm modules • For 25 mm modules 	6ES7590-5CA00-0AA0 6ES7590-5CA10-0XA0		
Shield terminal element 10 units; spare part	6ES7590-5BA00-0AA0		
		SIMATIC Manual Collection Electronic manuals on DVD, multi-language: LOGO!, SIMADYN, SIMATIC bus components, SIMATIC C7, SIMATIC Distributed I/O, SIMATIC HMI, SIMATIC Sensors, SIMATIC NET, SIMATIC PC-based Automation, SIMATIC PCS 7, SIMATIC PG/PC, SIMATIC S7, SIMATIC Software, SIMATIC TDC	6ES7998-8XC01-8YE0
		SIMATIC Manual Collection update service for 1 year Current "Manual Collection" DVD and the three subsequent updates	6ES7998-8XC01-8YE2